

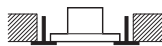
# Philips SmartBalance RC480B/RC482B



Dimensions in mm



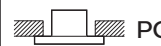
Module	A	B	C	D	E	F	G	kg
RC480B 600 VPC W60L60	597	597	575	563	11,0	17,0	11,0	6,8
RC480B 600 VPC W30L120	1197	297	1175	272	11,0	12,5	11,0	7,5
RC482B 625 VPC W62L62	622	622	600	588	11,0	17,0	11,0	7,1
RC482B 625 VPC W31L125	1247	310	1225	285	11,0	12,5	11,0	7,8
RC480B 600 CPC/PCV W60L60	597	597	574	573	11,5	12,0	5,0	7,4
RC480B 600 CPC/PCV W30L120	1197	297	1173	274	12,0	11,5	5,0	7,6
RC482B 625 CPC/PCV W62L62	622	622	598	578	12,0	5,0	5,0	8,3
RC482B 625 CPC/PCV W31L125	1247	310	1223	287	12,0	11,5	5,0	8,7



VPC visible profile ceiling

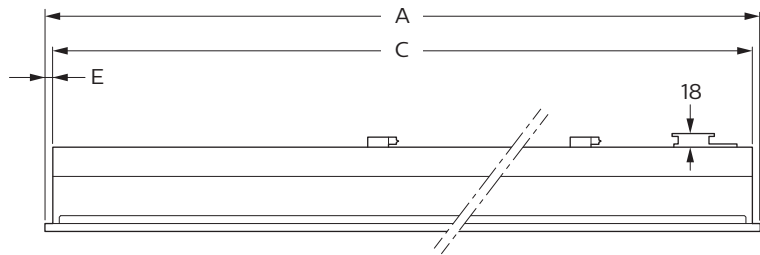
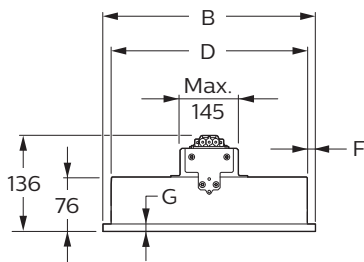


CPC concealed profile ceiling

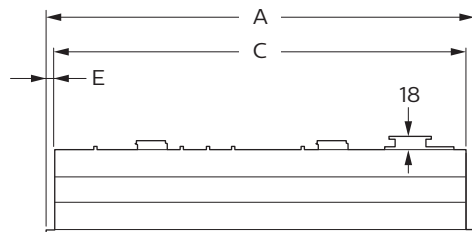
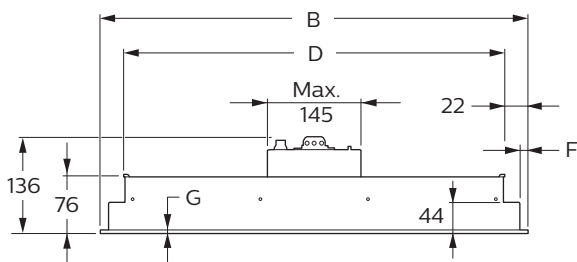


PCV plaster ceiling version

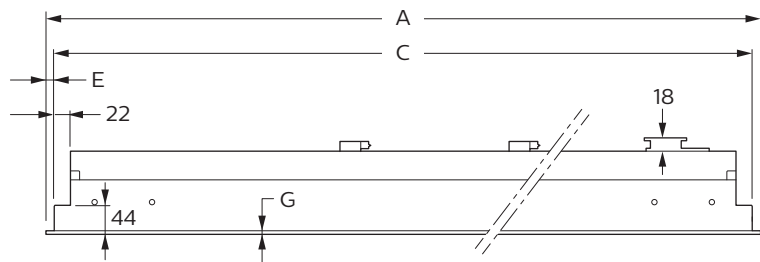
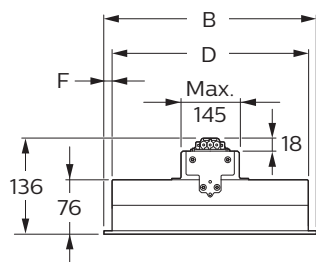
VPC W60L60 / W62L62 / W30L120 / W31L125

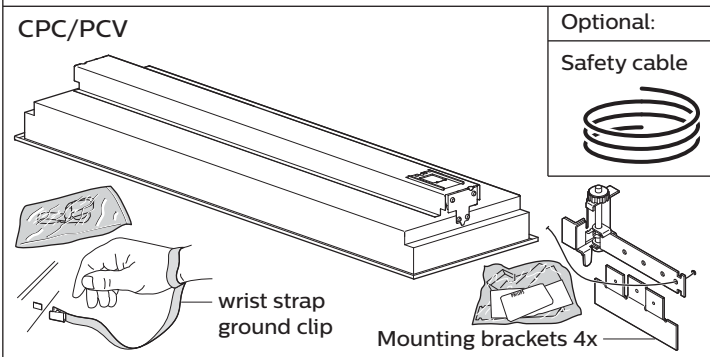
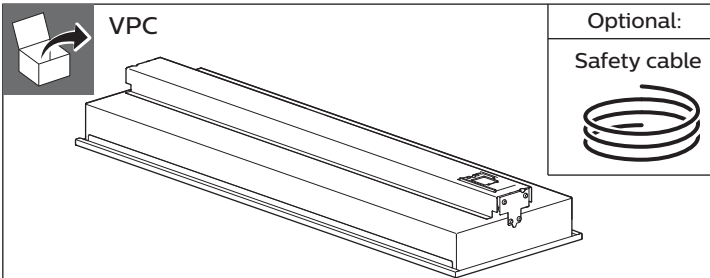
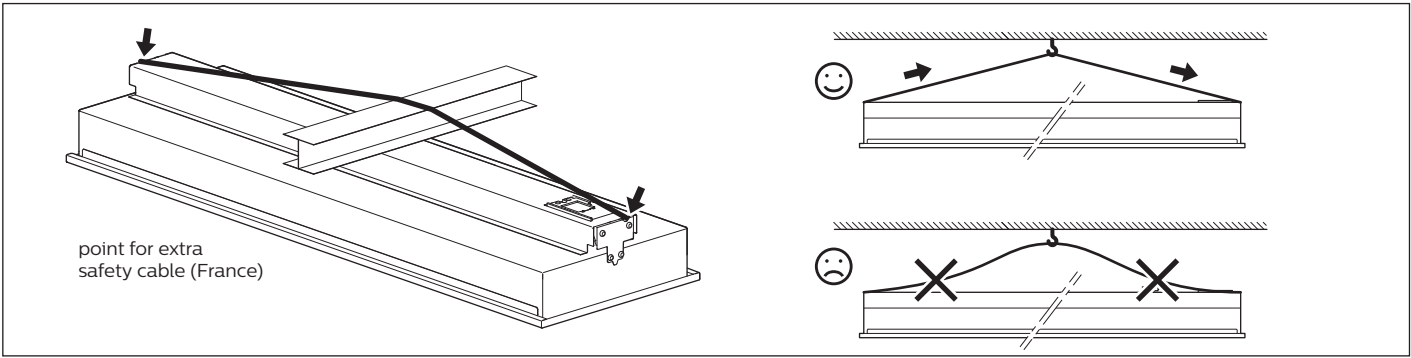


CPC/PCV W60L60 / W62L62



CPC/PCV W30L120 / W31L125



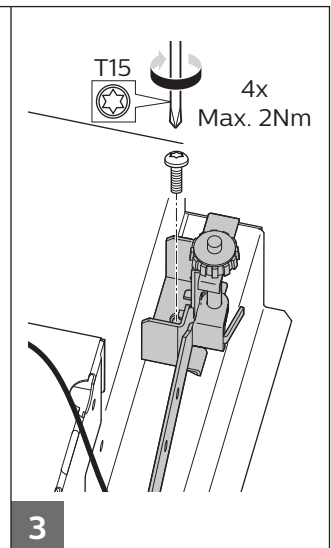
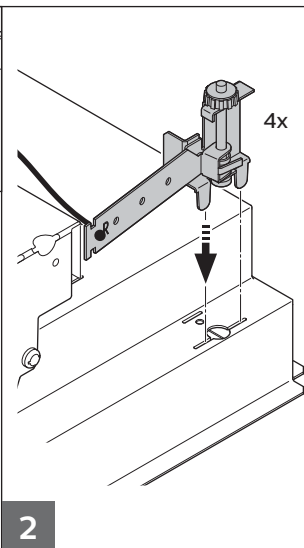
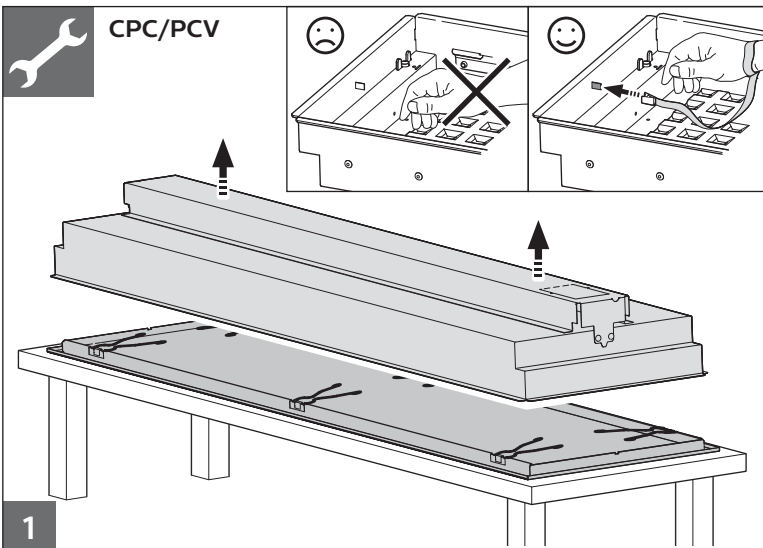
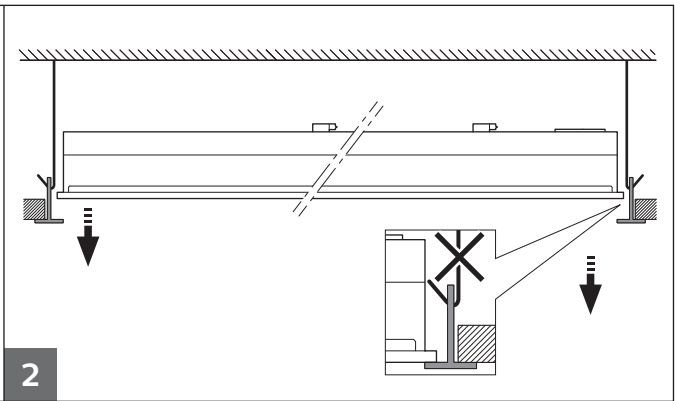
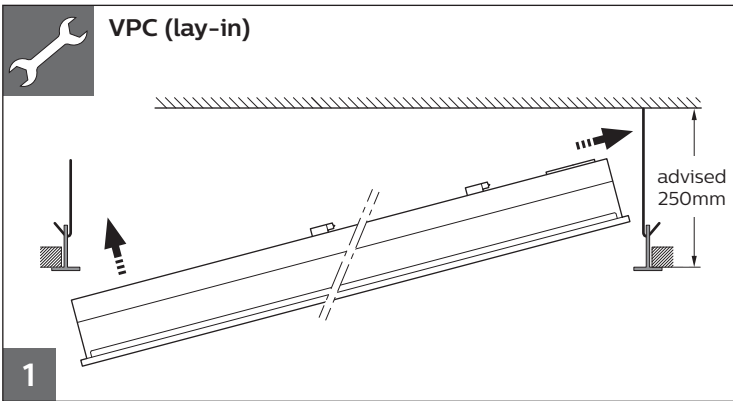


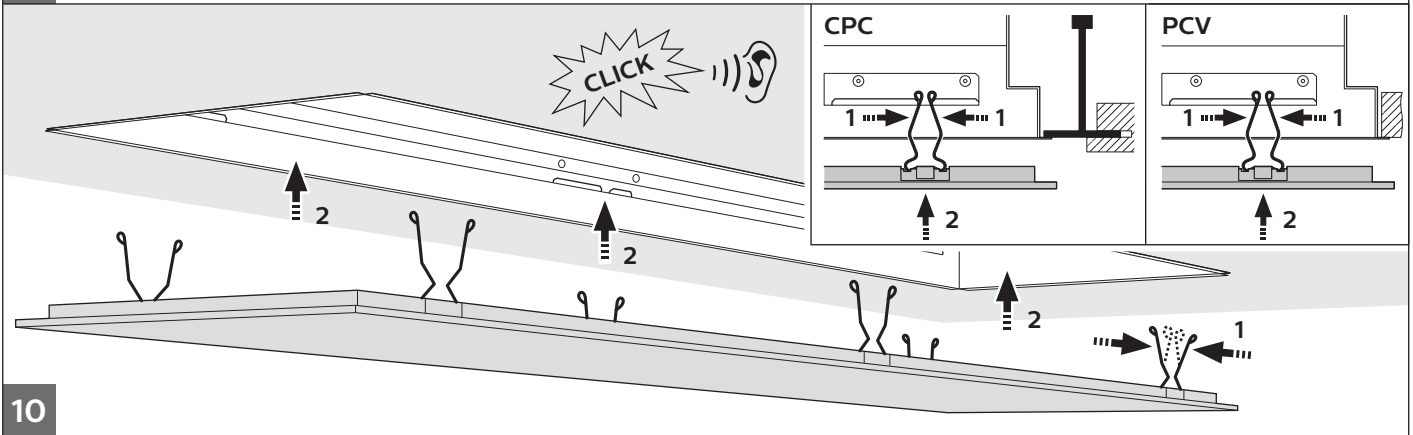
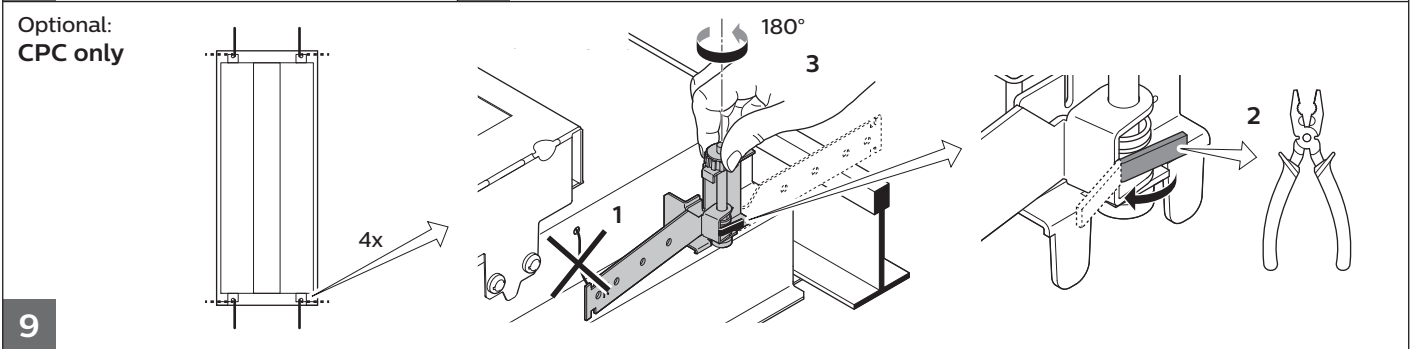
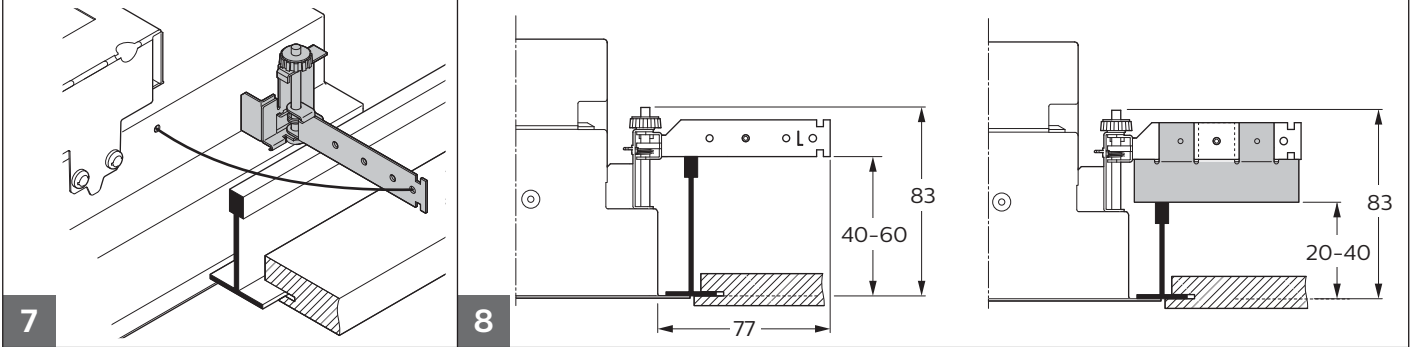
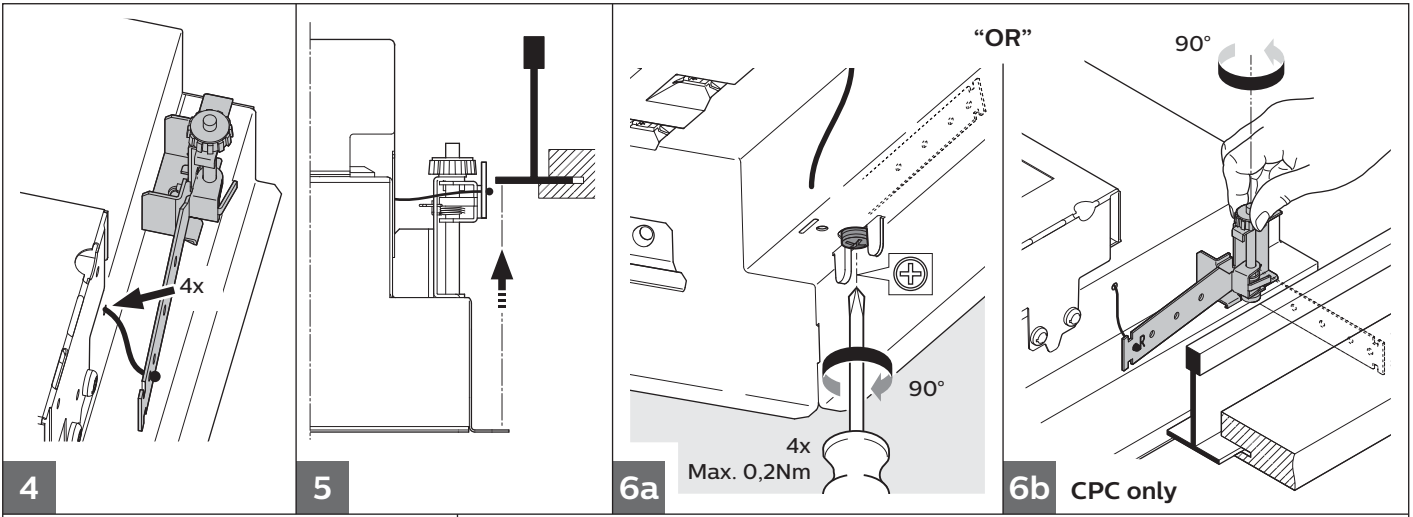
ACL versions only

SmartBalance LED35S/LED42S	
Electrical Characteristics	
I <sub>max</sub> (A)	48
T <sub>ref</sub> (ms)	1
EL I <sub>max</sub> (mA)	0.7
MCB (16A-B)	max 20 luminaires
EL CB 30 mA	max 30 luminaires

(EL = Earth leakage)

Inrush current





PCV Solid wood if necessary (PCV only)

Module	A(mm)	B(mm)
RC480B 600 W60L60	578	578
RC480B 600 W30L120	1178	279
RC482B 625 W62L62	603	603
RC482B 625 W31L125	1228	291

1

See step: 1-4 of CPC/PCV

See step: 6a-7-8-10

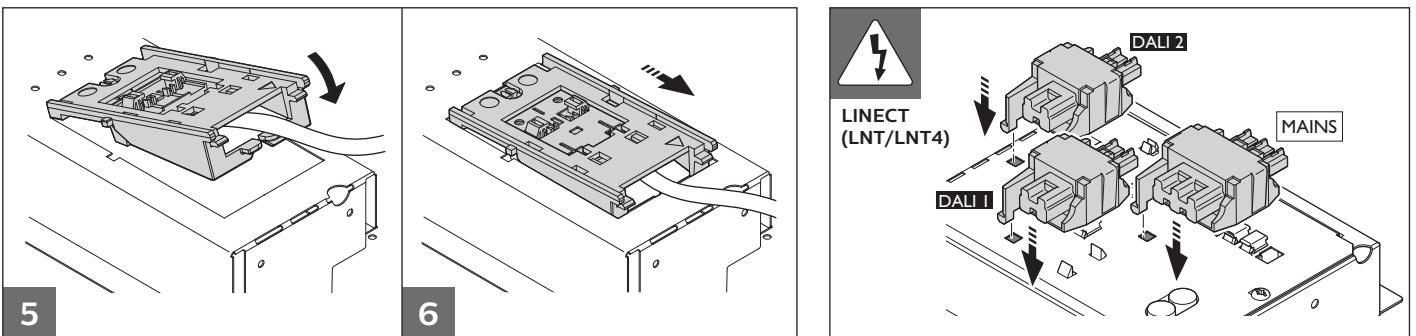
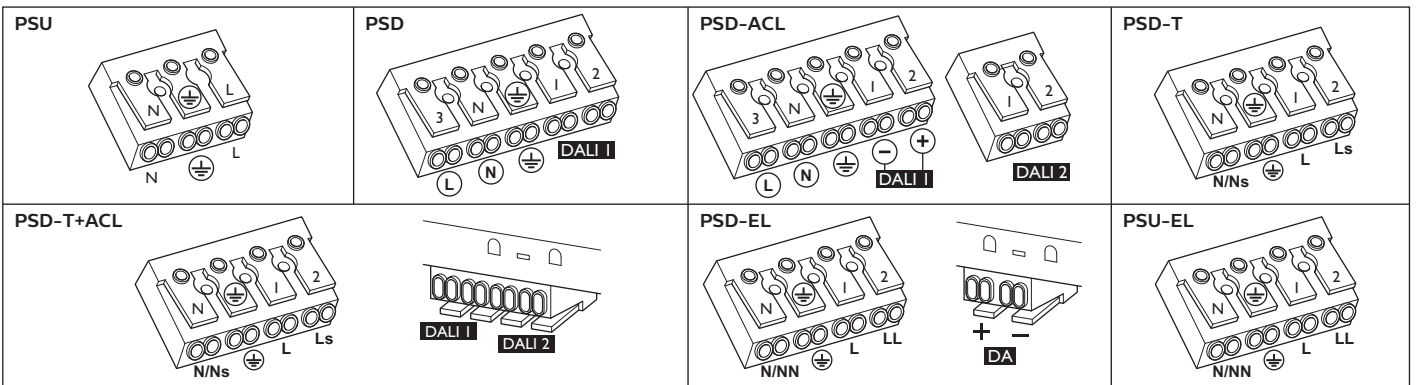
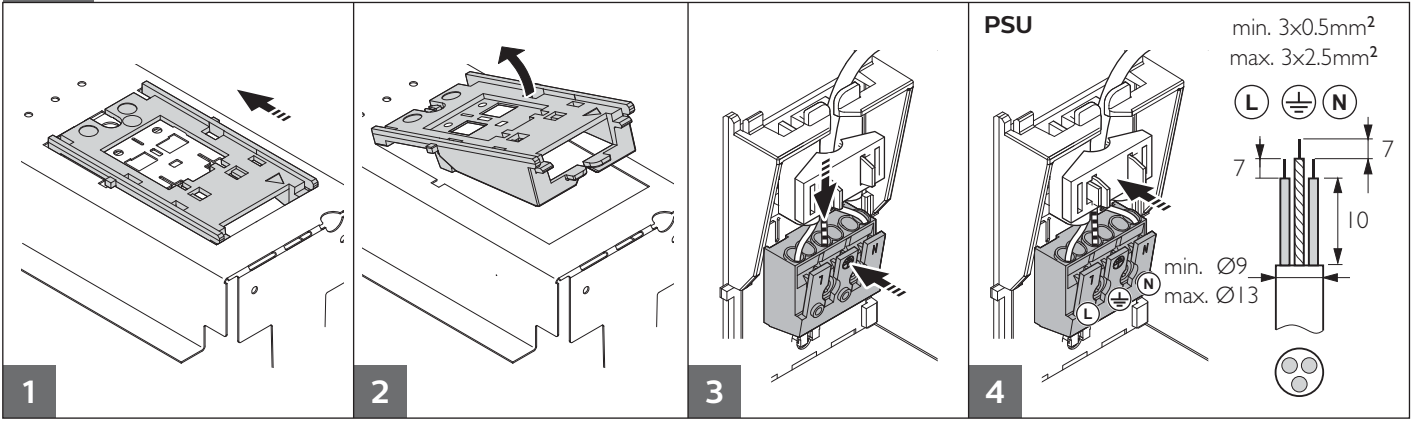
2

3

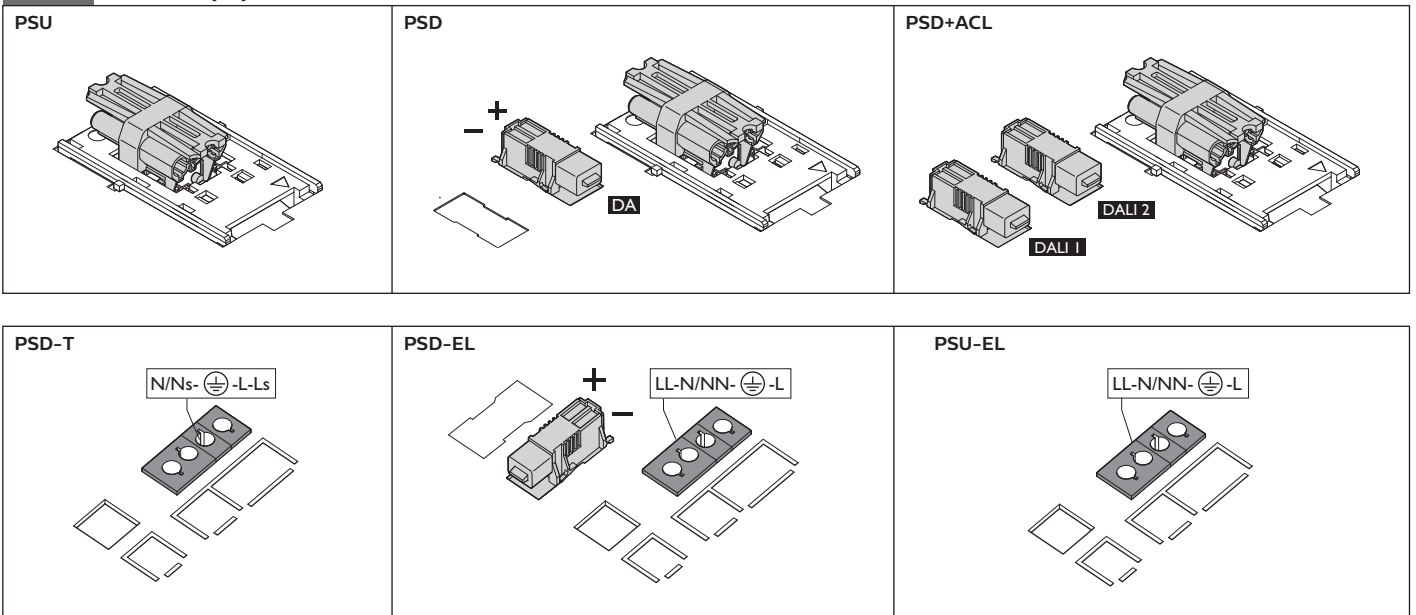
4



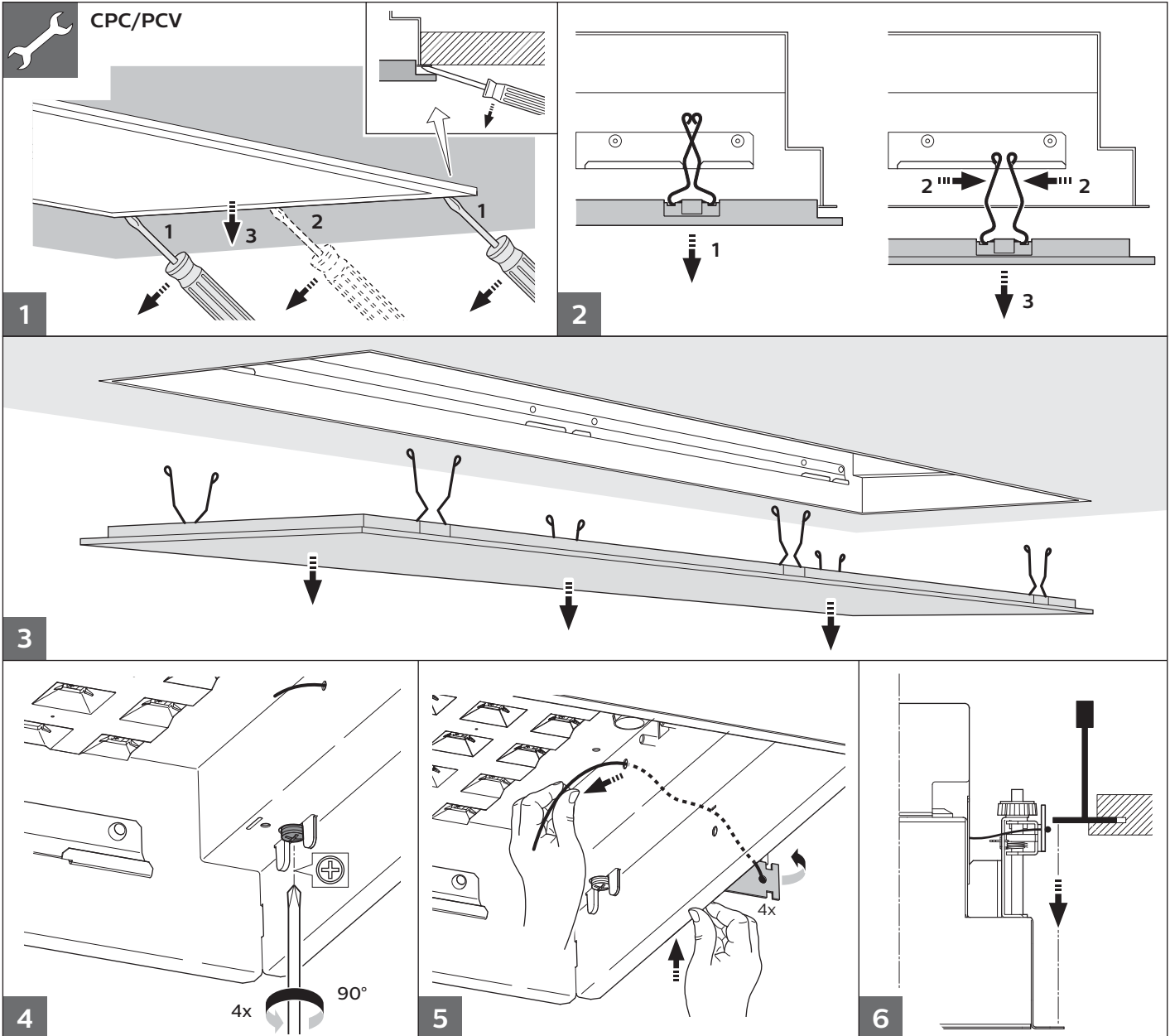
### Push-in (PIP)




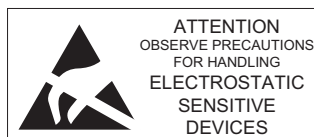
### Wieland (W)



## Disassemble/Service



- The luminaire shall be installed by a qualified electrician and wired in accordance with the latest IEE electrical regulations or the national requirements.
  - Please do not remove the protect film before installing to avoid scraping or dirtying the optical part.
  - Indoor use only.
  - During installation or maintaining the luminaire please use gloves to avoid spots on the cover. 
- To remove dirt and spots use the following:
- Dust: use micro fiber cloths only
  - Fingerprints, etc.: use a cleaner for synthetic materials with antistatic properties.





© 2015 Koninklijke Philips N.V.  
All rights reserved. Reproduction in whole or in part is prohibited without the prior written consent of the copyright owner.  
The information presented in this document does not form part of any quotation or contract, is believed to be accurate and reliable and may be changed without notice. No liability will be accepted by the publisher for any consequence of its use.  
Publication thereof does not convey nor imply any license under patent- or other industrial or intellectual property rights.

Philips Lighting B.V.  
The Netherlands