



Paulmann

Safety Instructions

1, 2, 3, 4, 5, 6, 7, 8, 11, 15, 16, 19,
22, 23, 24, 26, 33, 34



Info

www.paulmann.com

Paulmann Licht GmbH
Quezinger Feld 2
31832 Springe
Germany

www.paulmann.com

Art.-Nr.: 968.33/968.34
968.54/968.64/968.65
968.66/976.82/976.83
976.84/969.02/969.03
969.04/969.05

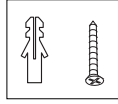
(+MA326)PBO 10/20



969.02



0.1m



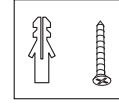
incl.



968.54/968.64
976.82/969.03



0.5m



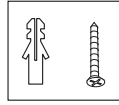
incl.



968.33/968.65
976.83/969.04



1m



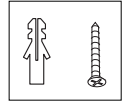
incl.



968.34/968.66
976.84/969.05



2m

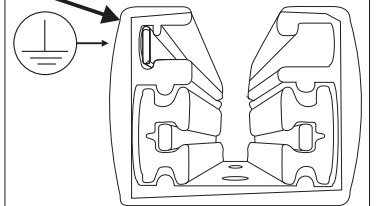
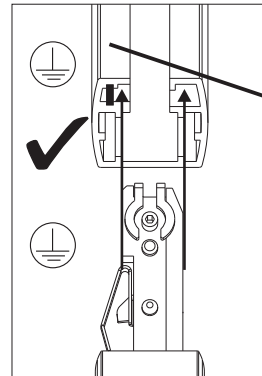
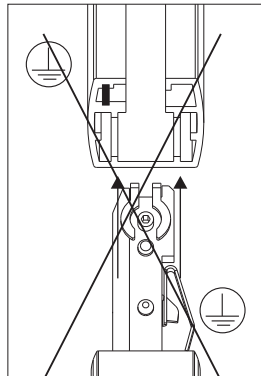
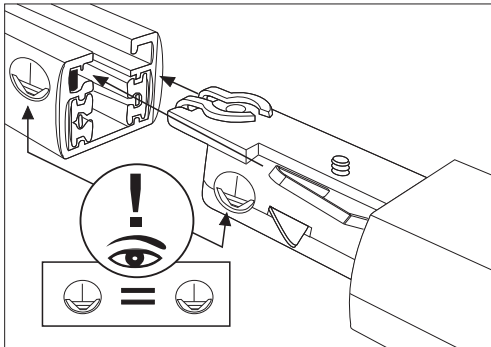


incl.

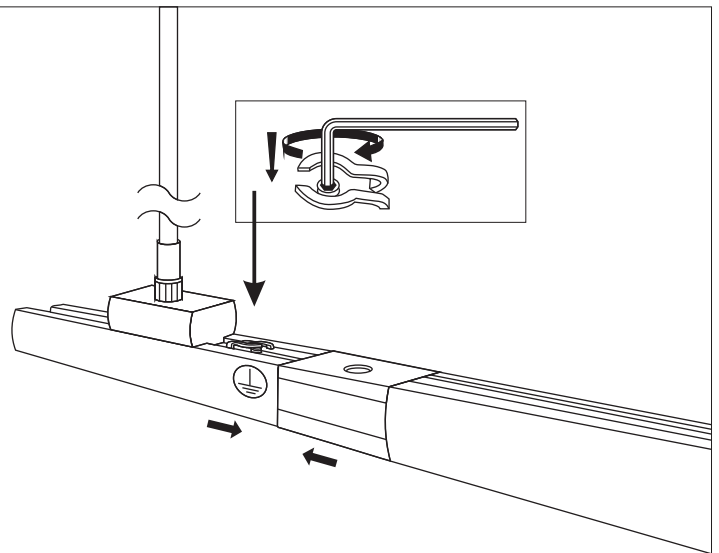
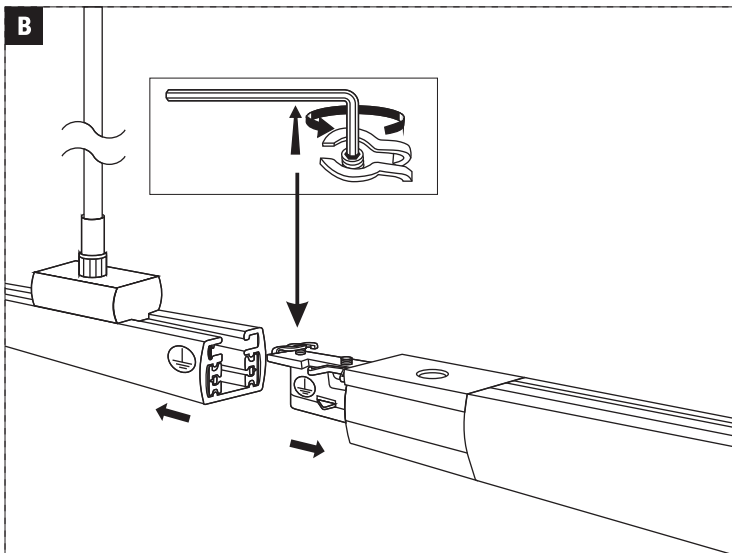
A

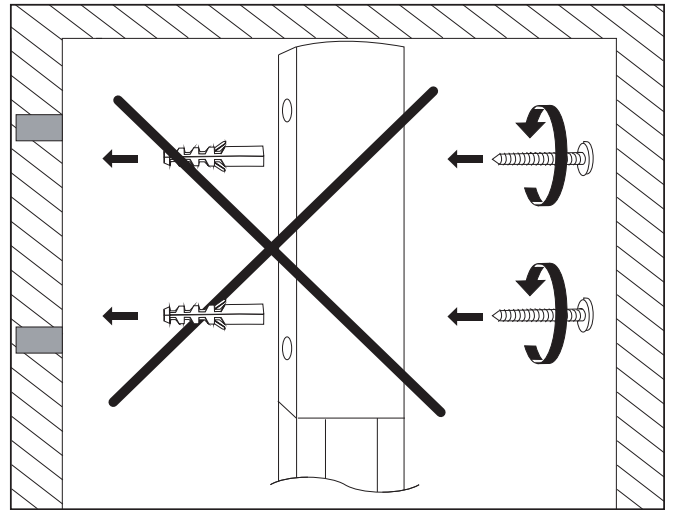
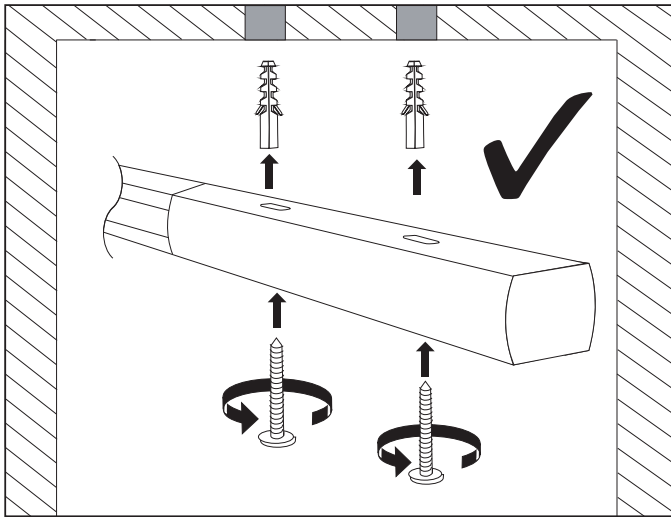
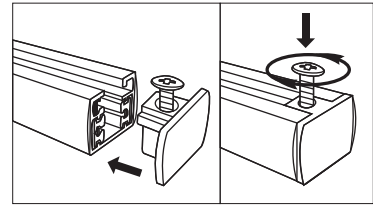


Safety
Instructions
Nr. 5



B



C**D****E**