

## Safety Instructions

1,2,3,4,5,6,7,8,11,12,15,16,19,  
20,22,23,24,26,28,33,34



## Info Hotline



+49 (0) 5041 998  
389  
Mon. - Do. 7<sup>00</sup>-20<sup>00</sup>  
Fr. 7<sup>00</sup>-17<sup>00</sup>

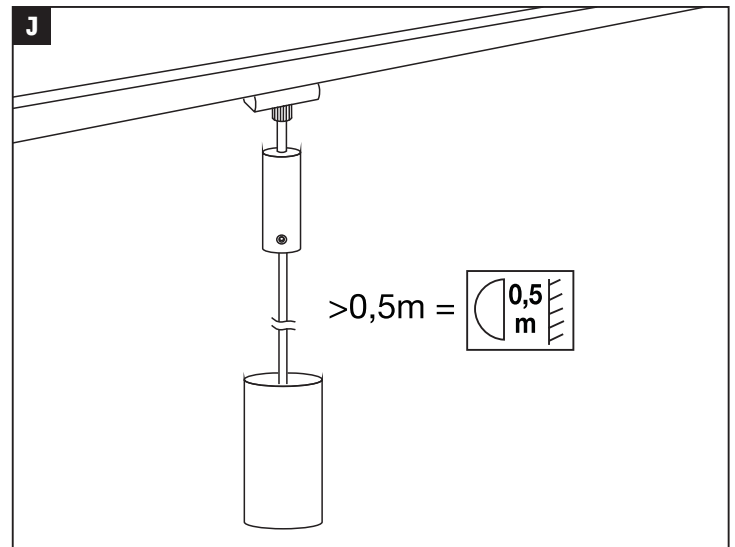
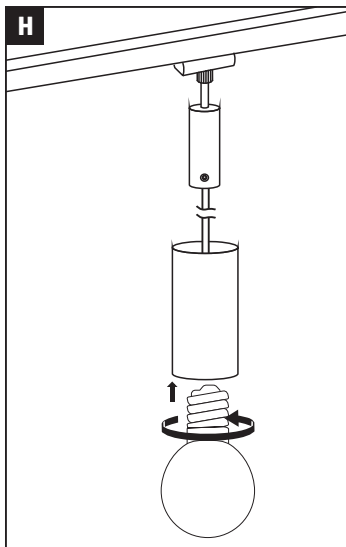
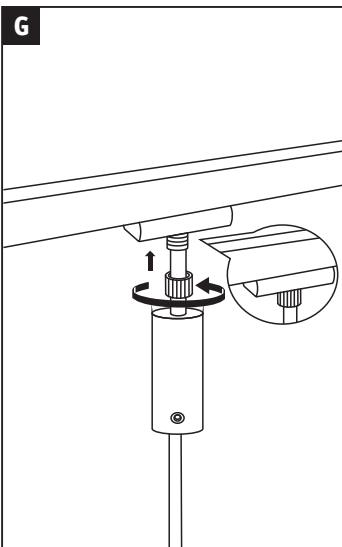
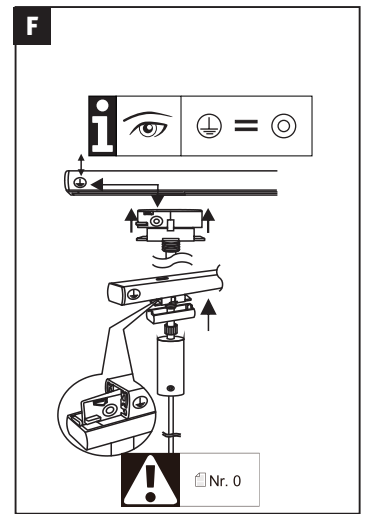
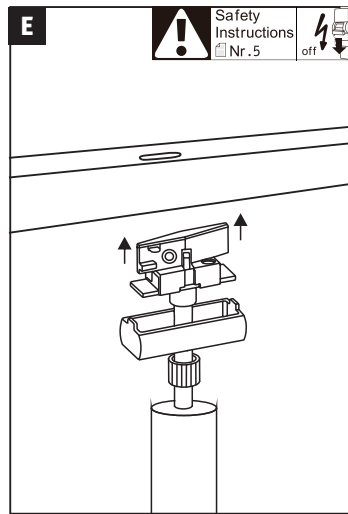
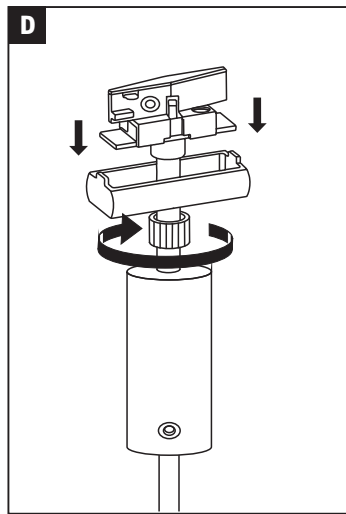
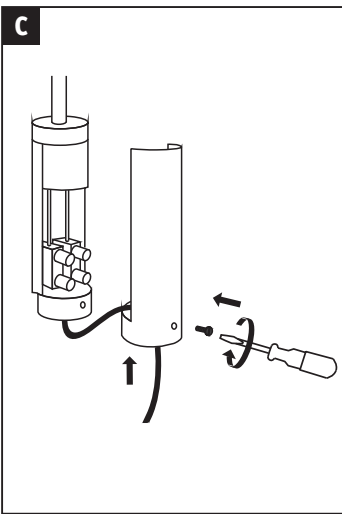
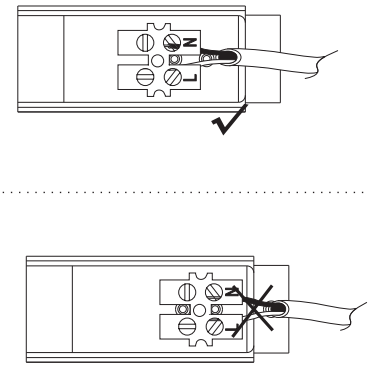
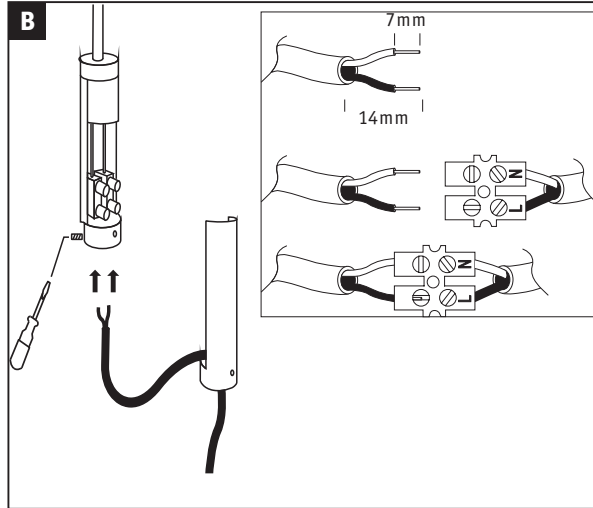
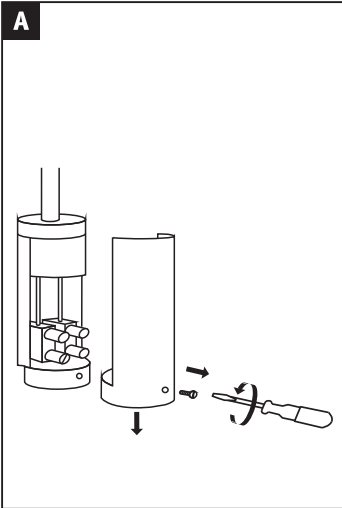
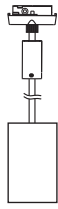
Paulmann Licht  
GmbH Quezinger  
Feld 2  
31832 Springe  
Germany

www.paulmann.com

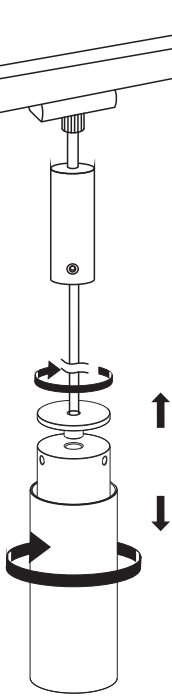
Art.-Nr.: 954.36  
954.37



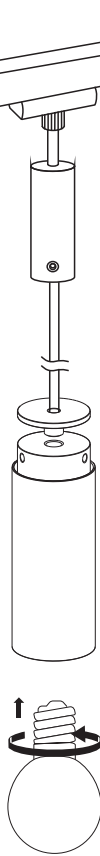
(+MA326)PBO 05/16



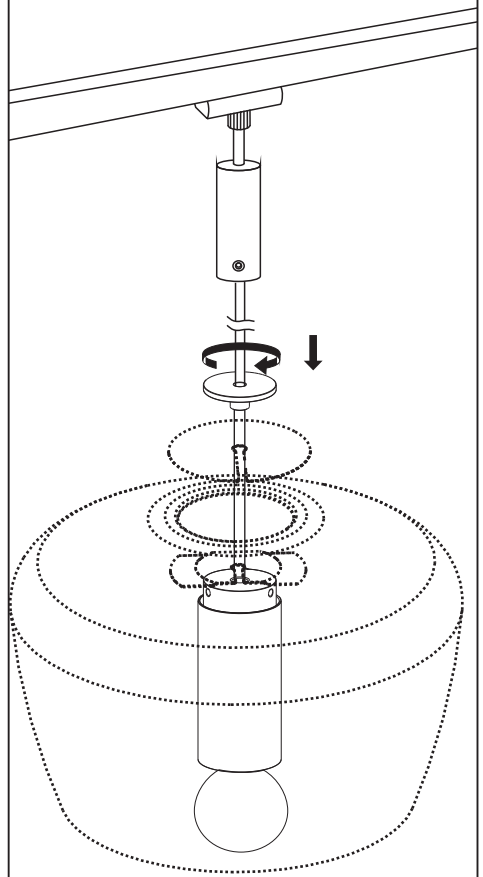
K1 K2



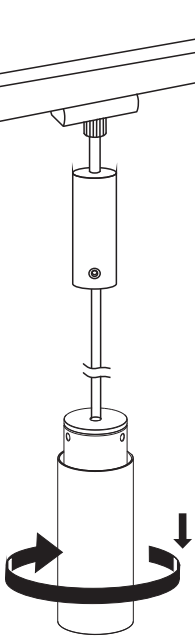
L1 L2



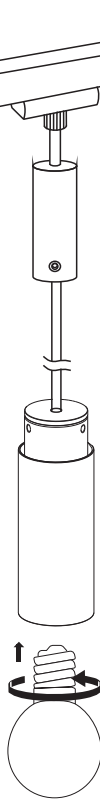
M1 M2



K1 K2



L1 L2



M1 M2

