



Safety Instructions



0,1,2,3,7,8,9,11,15,
17,19,20,22



Info Hotline

+49 (0) 5041 998 389

Mon. - Do. 7⁰⁰ - 20⁰⁰


Fr. 7⁰⁰ - 17⁰⁰



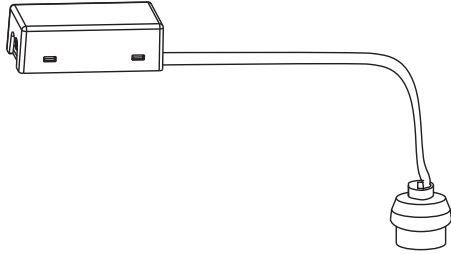
Paulmann Licht GmbH
31832 Springe / Germany
www.paulmann.com

Art.-Nr.:

938.10

(+MA 173) 
PBO 05/14

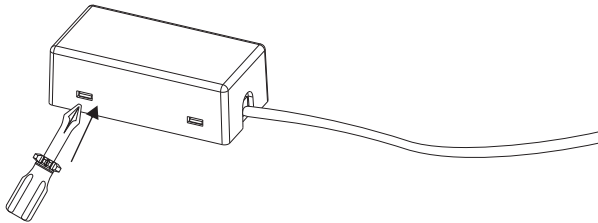
938.10



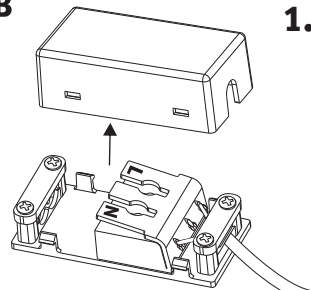
1x



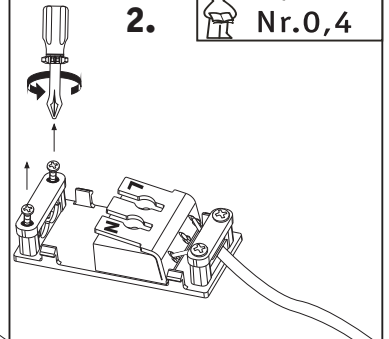
A



B

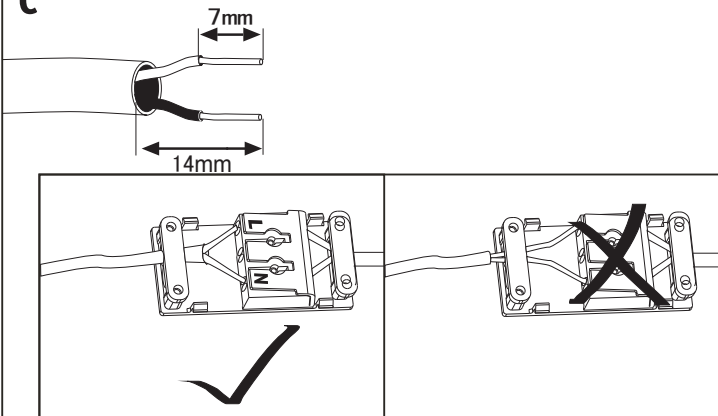


2.

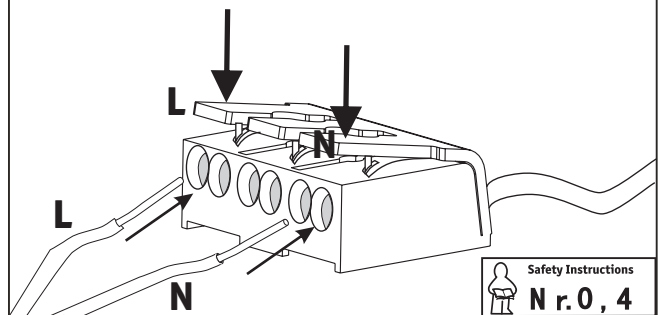


 Safety Instructions
Nr.0,4

C



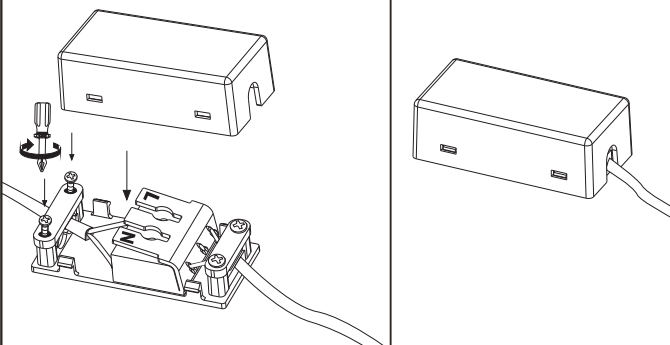
D



 Safety Instructions
Nr.0,4

E

 Safety Instructions
Nr.0,4



F

