


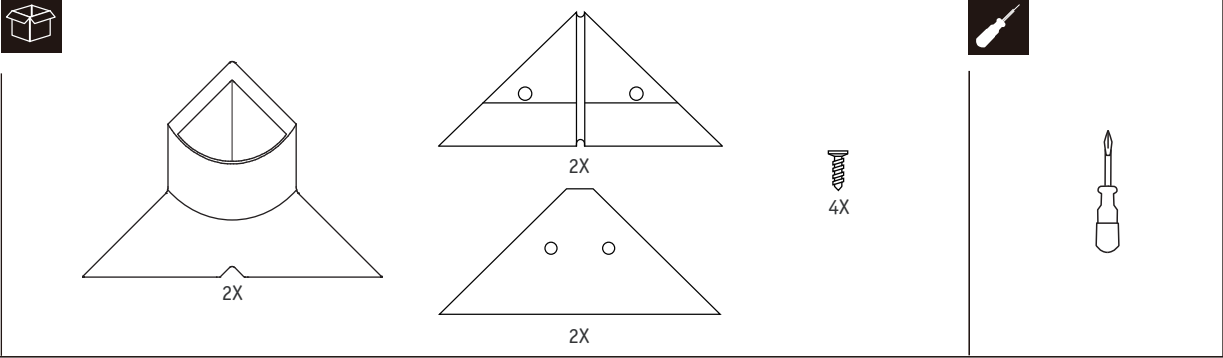



Art.-Nr.: 788.74 

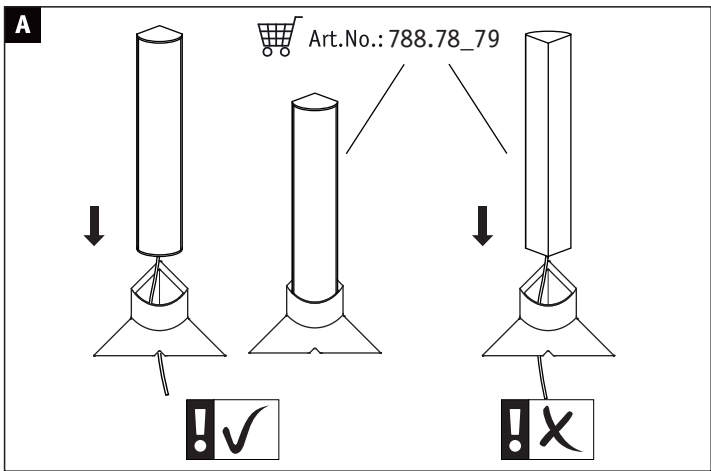
PLIR 03/22

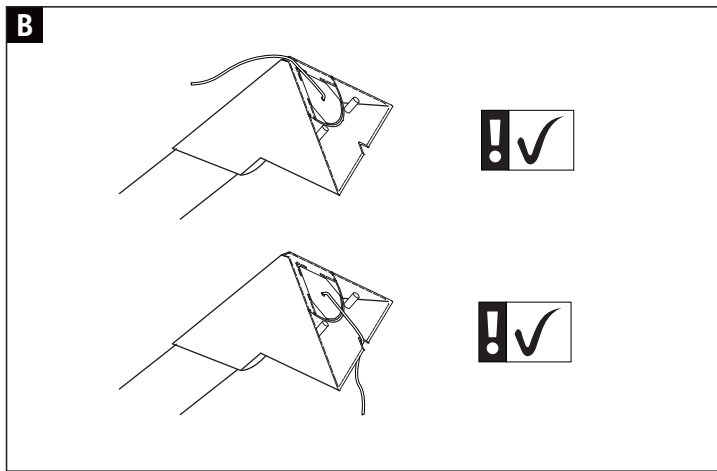


A

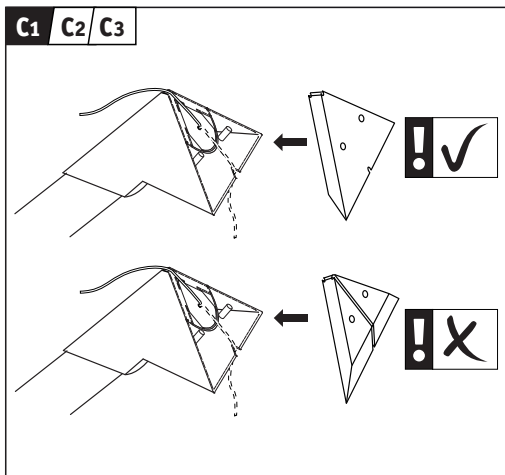
 Art.No.: 788.78_79





B





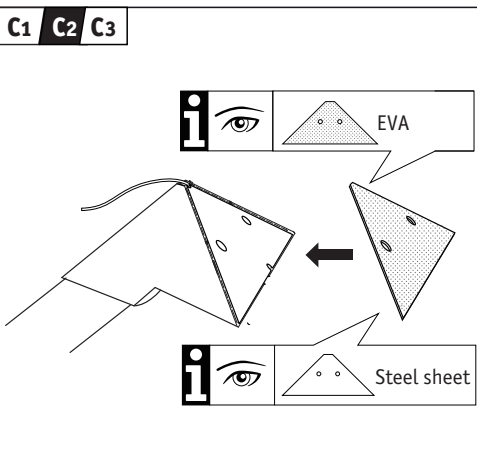
C1 C2 C3



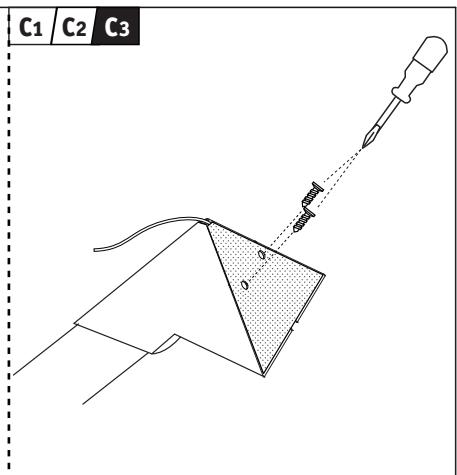
C1 C2 C3

  EVA


  Steel sheet

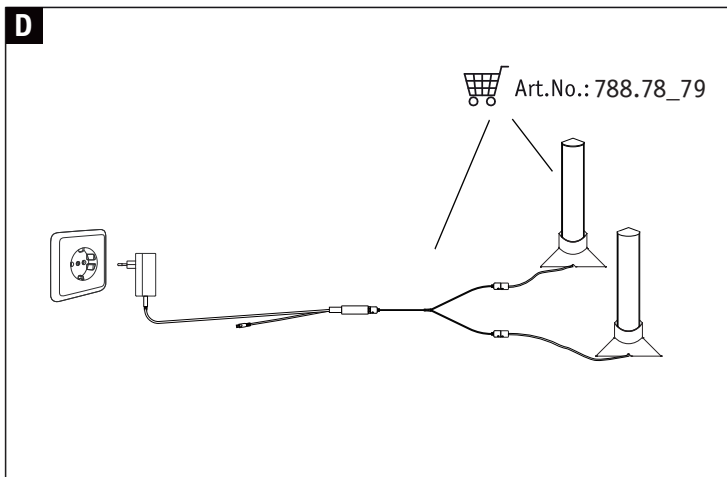



C1 C2 C3




D

 Art.No.: 788.78_79



 Art.No.: 788.78_79

 Art.No.: 788.78_79

