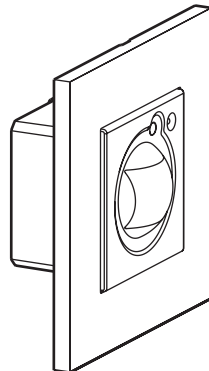


**Epure Style
 Tiltable detector**

**Cat. No(s): AR-67387 - AR-67487 - AR-67587
 AR-67687 - AR-67787 - AR-67887**



1. USE

The passive infrared detector is a motion detector and is sensitive to the movement of heat. The space in the protected zone is divided into 14 beams on 3 levels. The detector has two possible operating modes: instant operation or pulse-based operation to reduce the risk of false alarms. It exists in a version with a modular lens for installation high up in rooms, at a height of between 1.2 and 2 m. Adjust the position to suit requirements according to the characteristics of the zone to be protected. The trip threshold for these devices can be specially configured.

2. RANGE

Audio distribution control

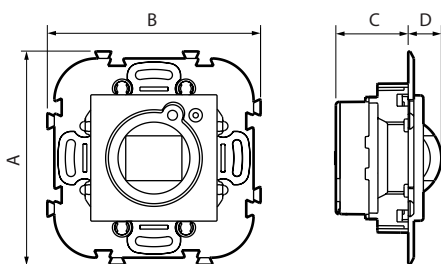
| | | |
|----------|-------------------------|--------------------------------|
| AR-67487 | ○ Brushed steel | ART ESCAB MH tiltable detector |
| AR-67587 | ● Satin steel | ART ESCAS MH tiltable detector |
| AR-67687 | ○ Mirror-polished steel | ART ESCAM MH tiltable detector |
| AR-67787 | ● Mirror-polished gold | ART ESCOM MH tiltable detector |
| AR-67387 | ● Bronze | ART ESCBZ MH tiltable detecto |
| AR-67887 | ● Matt black | ART ESCNM MH tiltable detector |

Note: Other finishes and configurations are provided, see technical data sheet F02217EN/01.

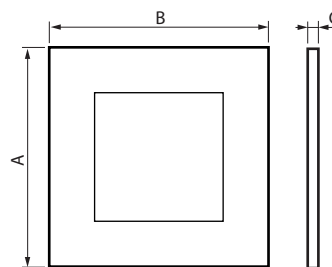
3. POSITIONING

Recommended installation height: 150 cm from the ground

4. DIMENSIONS (mm)



4. DIMENSIONS (mm) (continued)



| | A | B | C | D |
|-----------|----|----|------|----|
| Mechanism | 76 | 76 | 25.8 | 12 |
| Plate | 80 | 80 | 5 | - |

5. INSTALLATION

ART d'Arrould electrical wiring accessories are supplied with long fixing screws which can be cut at several points to adapt the screw length to the box flush-mounting depth in the wall.

If ART d'Arrould wiring accessories are being mounted in thick surfaces such as tiles, marble, wainscot panelling with flush-mounting boxes chased deep into the wall, the whole screw length can be used to fix the wiring accessory.

If ART d'Arrould wiring accessories are being installed in walls with non-projecting flush-mounting boxes (masonry walls, dry partitions), the screws which can be cut at several points to shorten the thread.

To protect the products, it is essential to install them: once all surface coatings are completely dry, in a dry, non-aggressive environment, indoors only.

It is recommended that you install the plates only after the wall coatings have been completely finished (paint, fabrics, etc.).

Dismantling:

The plates can be dismantled by inserting the tip of a screwdriver in a purpose-designed notch on the sides of the plate and using it as a lever to unclip it from the fixing points.

Once the plate has been lifted off the wall slightly, just slide your fingers between the plate and the wall to gently remove the plate.

Take care not to pull too hard on the plate, to avoid breaking the fixing clips.

6. CONNECTION

BUS connector.

7. TECHNICAL CHARACTERISTICS

■ **7.1 Mechanical characteristics**

Impact test: IK 02
Ingress of solids/liquids: IP 20

■ **7.2 Material characteristics**

Sub-plate: Stainless steel

Plate:

- Décorative brass + varnish
Cat. Nos.: AR-67387 - AR-67487 - AR-67587
- Decorative brass
Cat. Nos.: AR-67687 - AR-67787
- Brass + paint
Cat. Nos.: AR-67887 - AR-67987

Self-extinguishing:

850°C/30 s for insulating components holding live parts in place
650°C/30 s for other insulating components

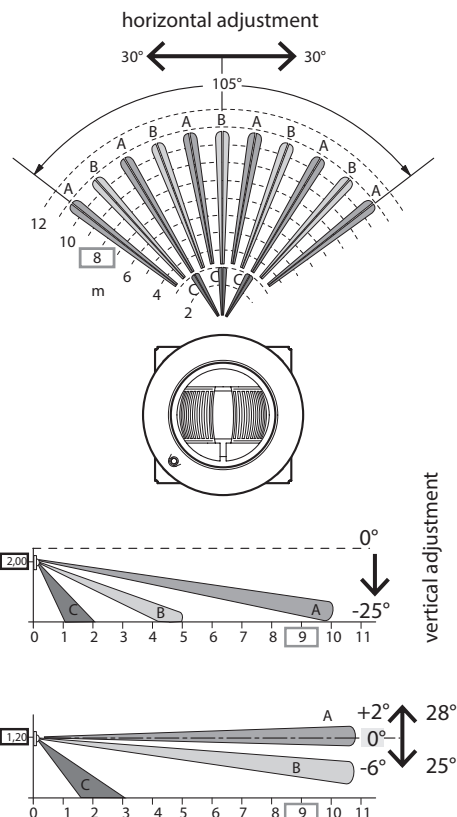
■ **7.3 Electrical characteristics**

Power supply: 18 - 27 VDC
Consumption: 4.5 mA

■ **7.4 Climate characteristics**

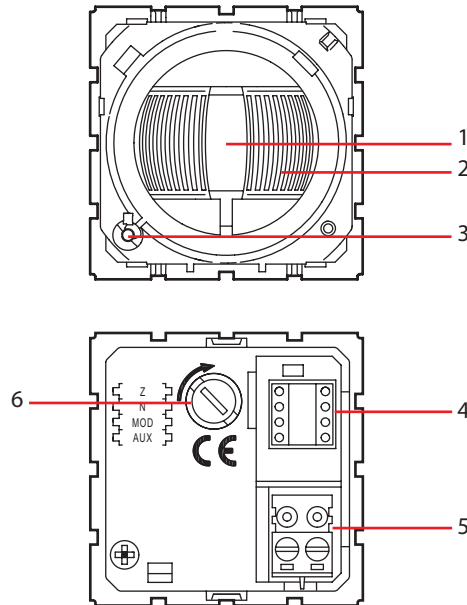
Storage temperature: - 10°C to + 70°C
Operating temperature: 0°C to + 35°C

■ **7.5 Coverage area**



7. TECHNICAL CHARACTERISTICS (continued)

■ **7.6 Functions**



Key

1. Fresnel lens
2. Coverage restrictor
3. Alarm indicator
4. Slot for configuration tool
5. BUS connector
6. Slot for safety device
7. Possible functions: see data sheet LG00136_A_EN

8. CARE

Clean and dust using a soft, damp cloth (dampened with water) or wipes impregnated with a product containing less than 5% alcohol and anionic surfactant.

Caution: Always test before using other special cleaning products.

Banned products

- Solvents, various essential oils, paint, or adhesive tape,
- Scouring powders (because are abrasive),
- Products containing bleach,
- Special products for stainless steel,
- Renovators (because they often contain abrasives and chemical agents),
- Splashes or fumes from floor, paint, or wood stripping products, etc.

Caution:

Any mechanical attack or foreign object (screwdriver, etc.) striking the surface of the plate would damage the finish and therefore also the surface treatment.

9. STANDARDS AND APPROVALS

This device has been awarded the CE mark.

Compliant with installation and manufacturing standards.
See e.catalogue.