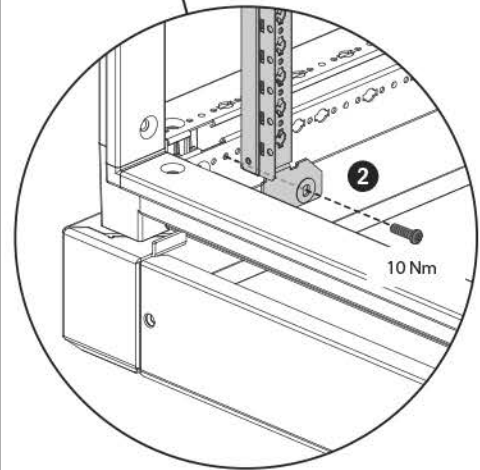
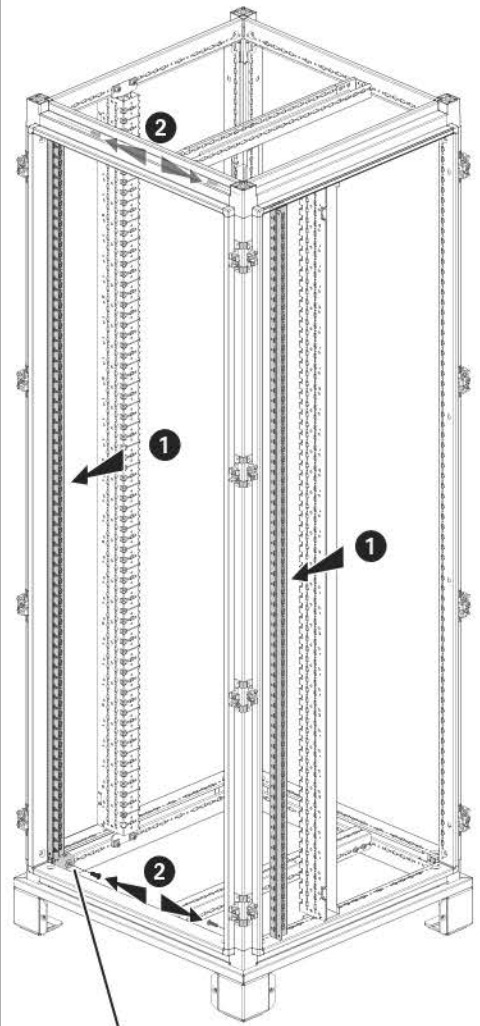
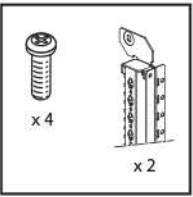
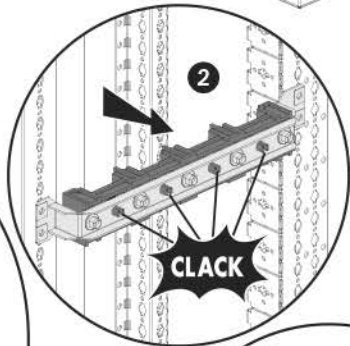
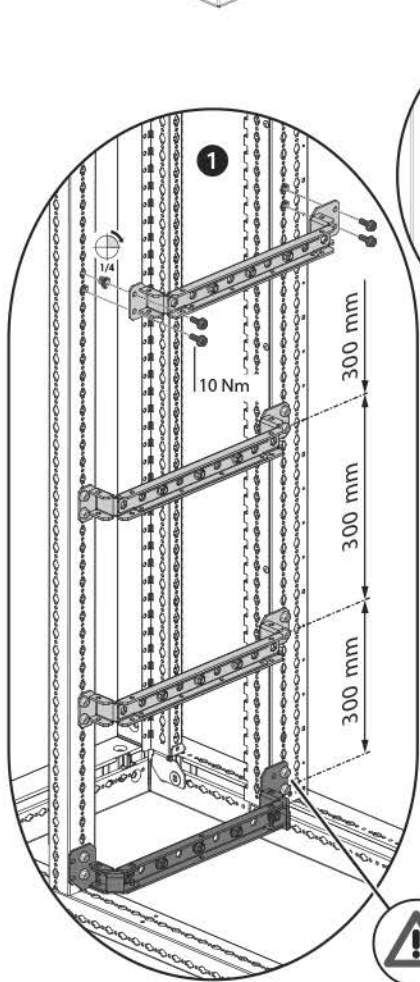
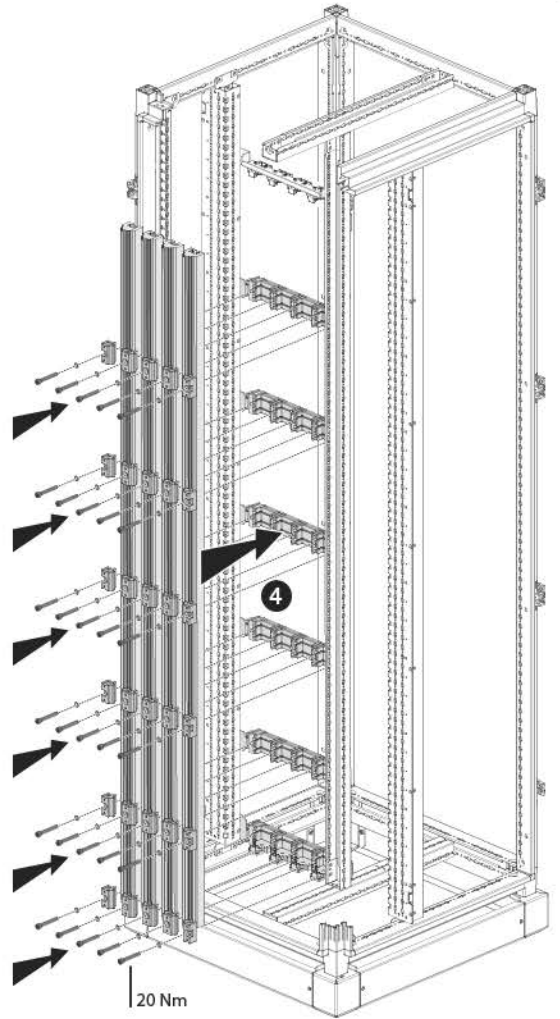
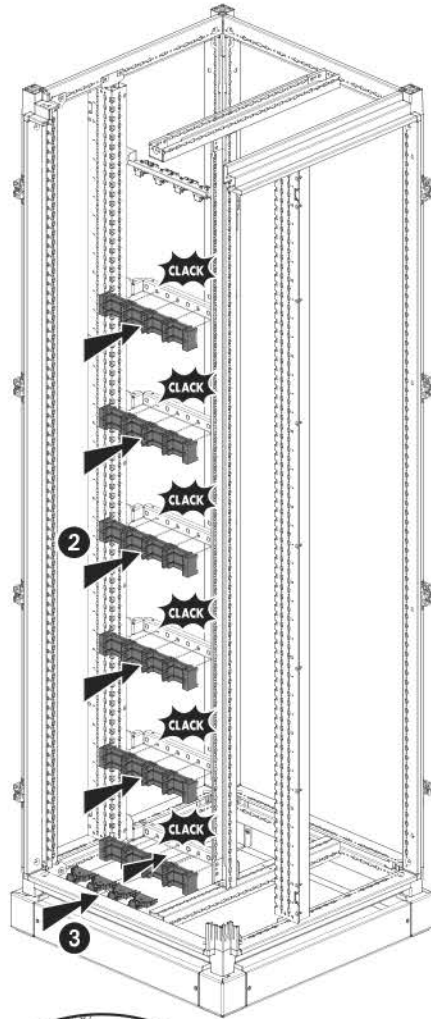
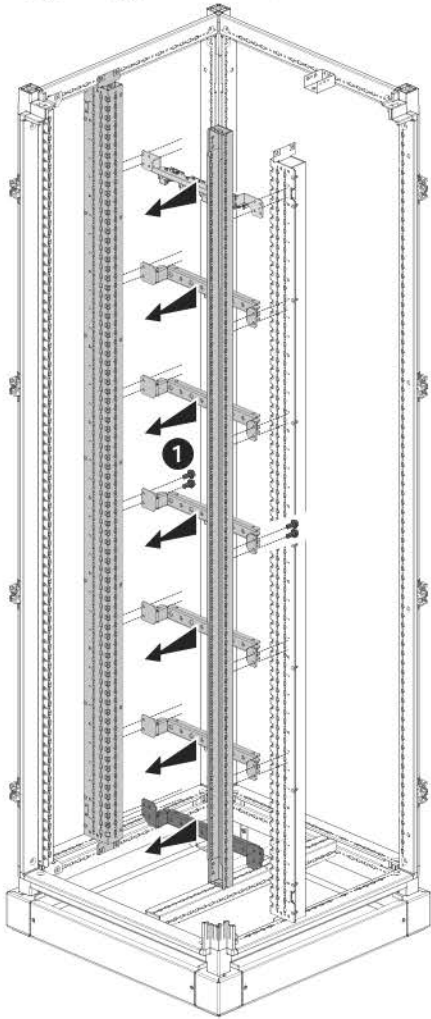
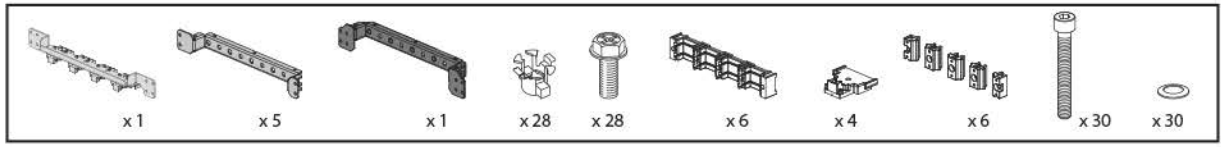
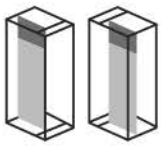
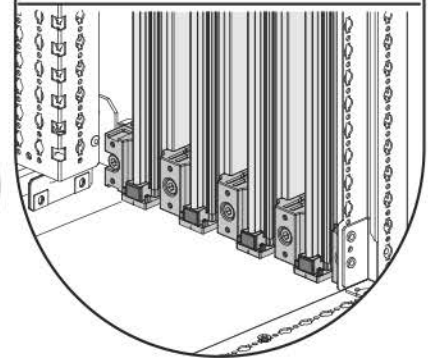
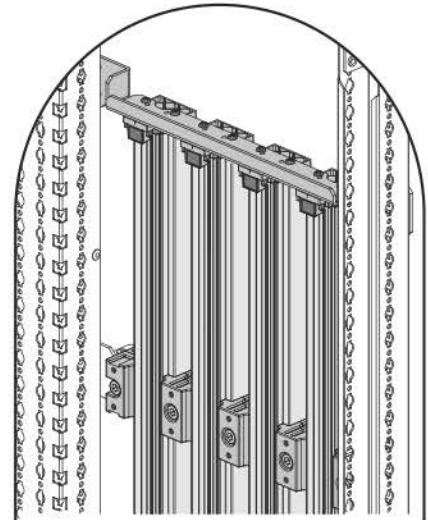
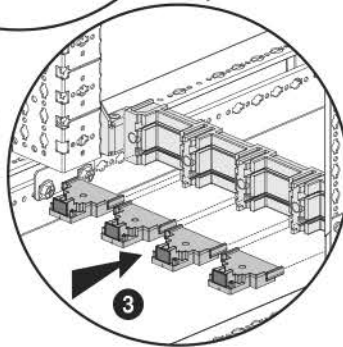
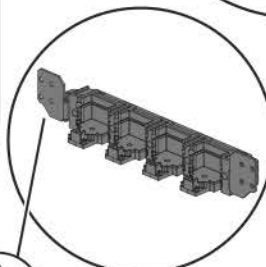
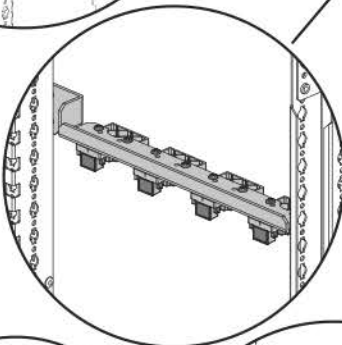


0 208 55/56

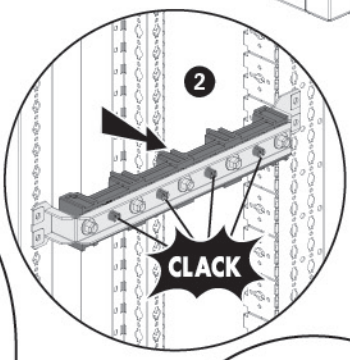
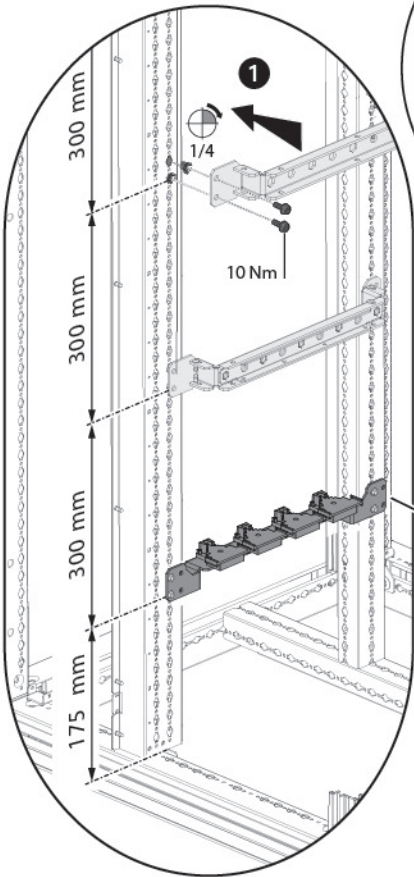
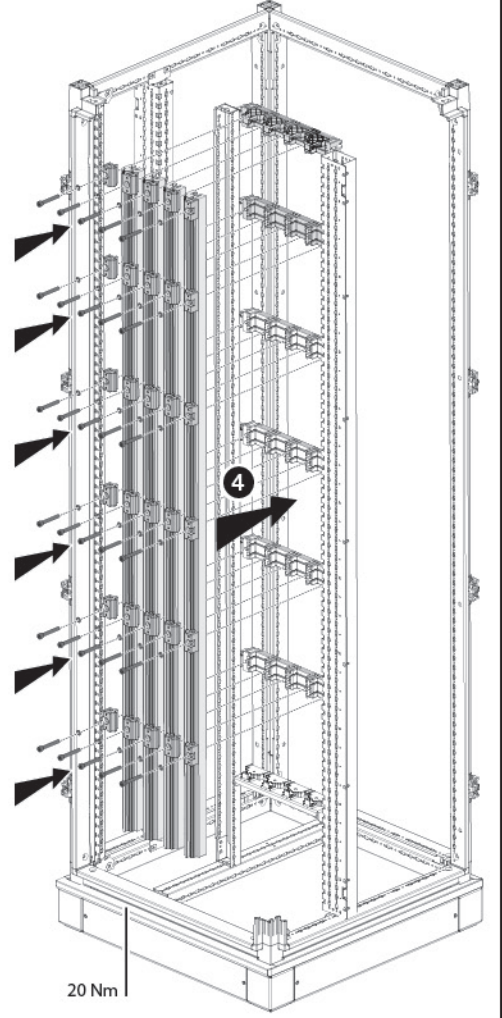
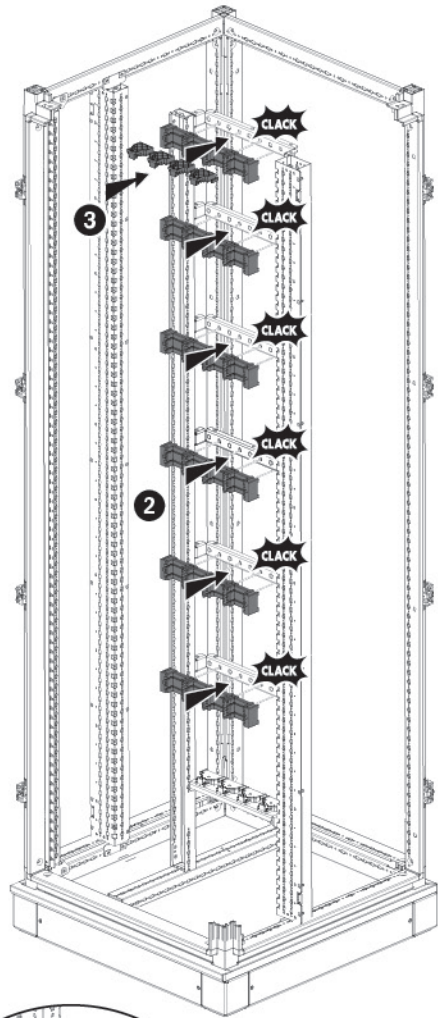
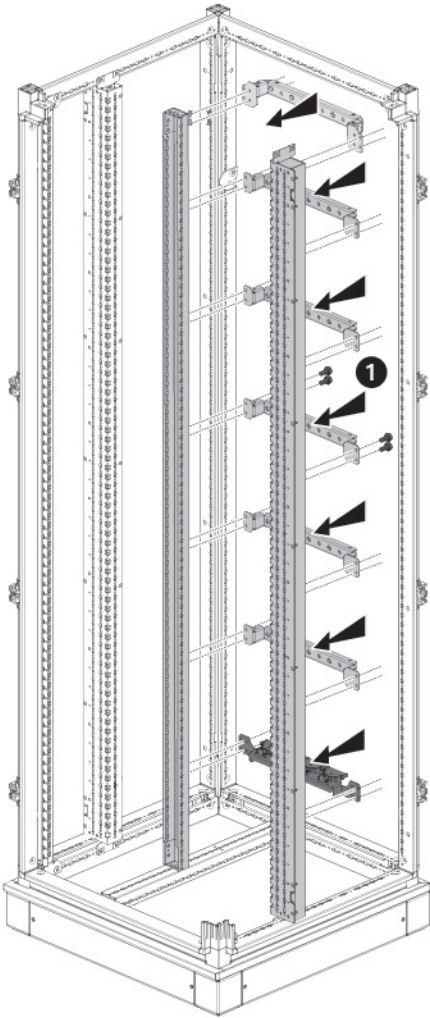
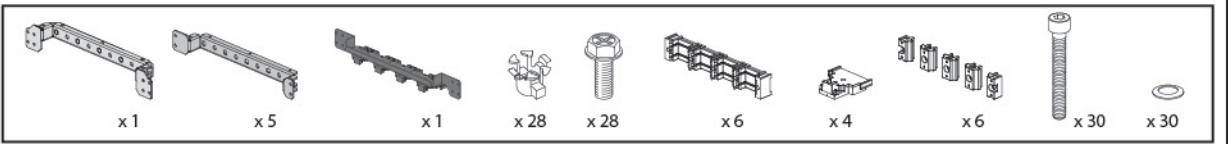
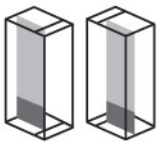




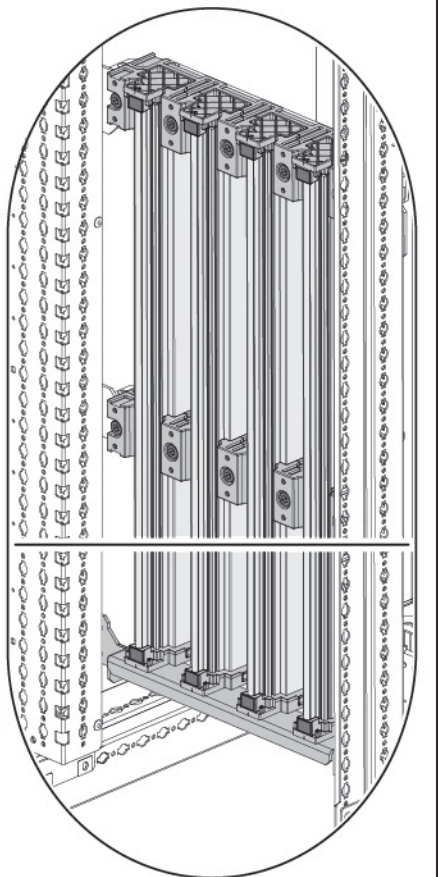
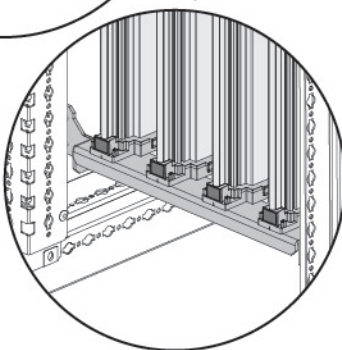
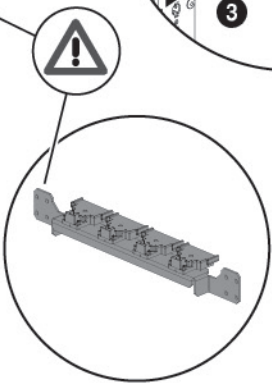
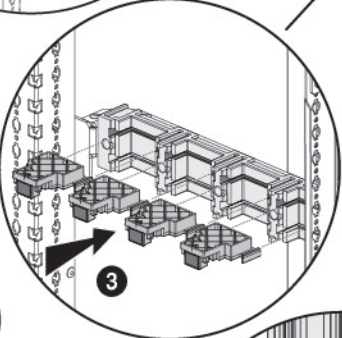
	N	L1	L2	L3
	L3	L2	L1	N



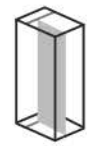
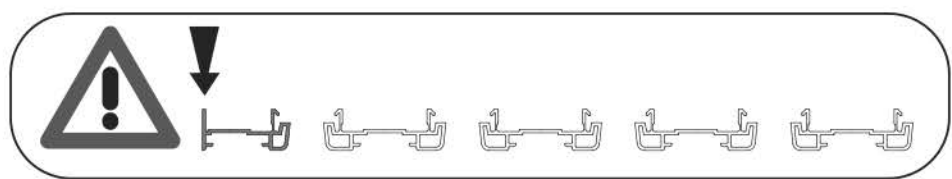
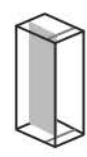
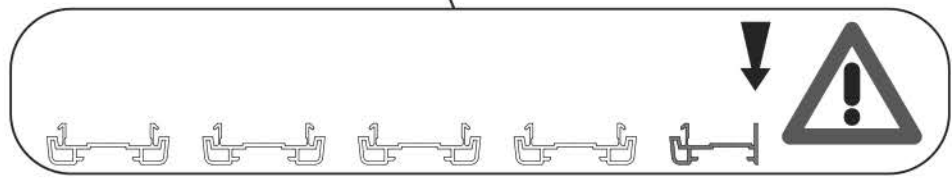
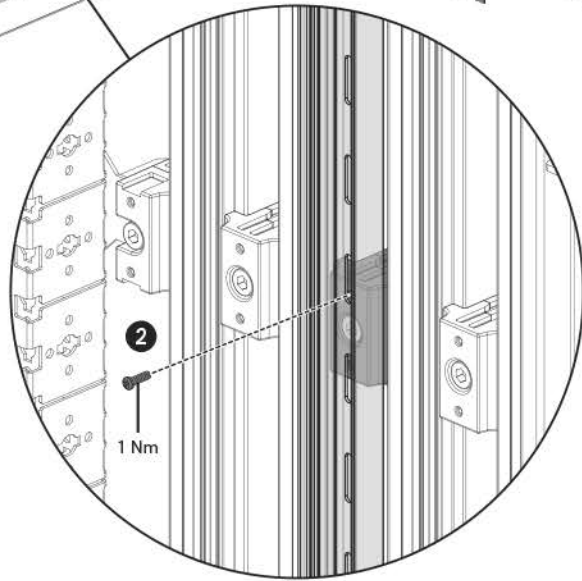
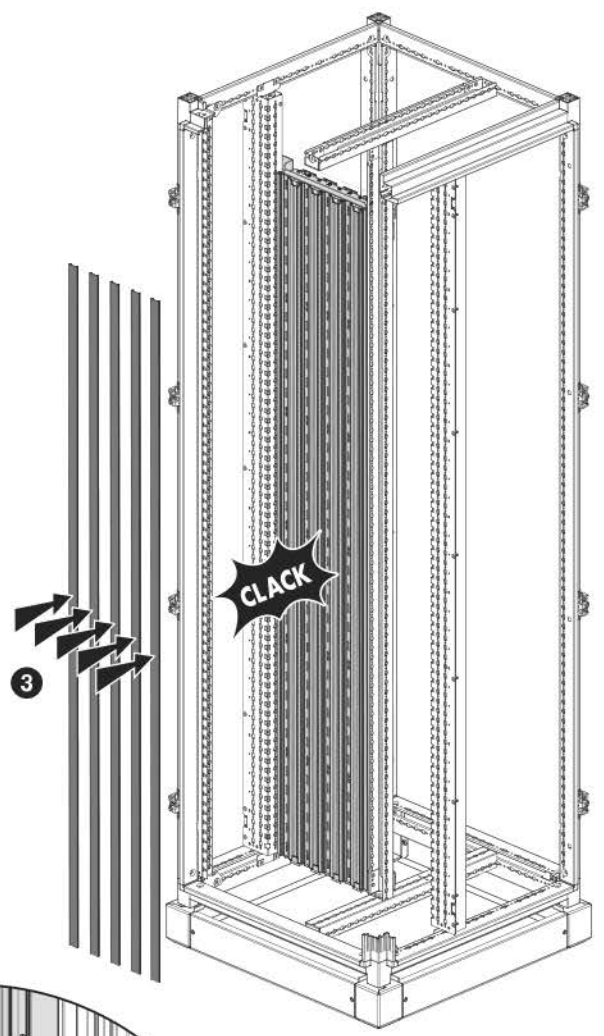
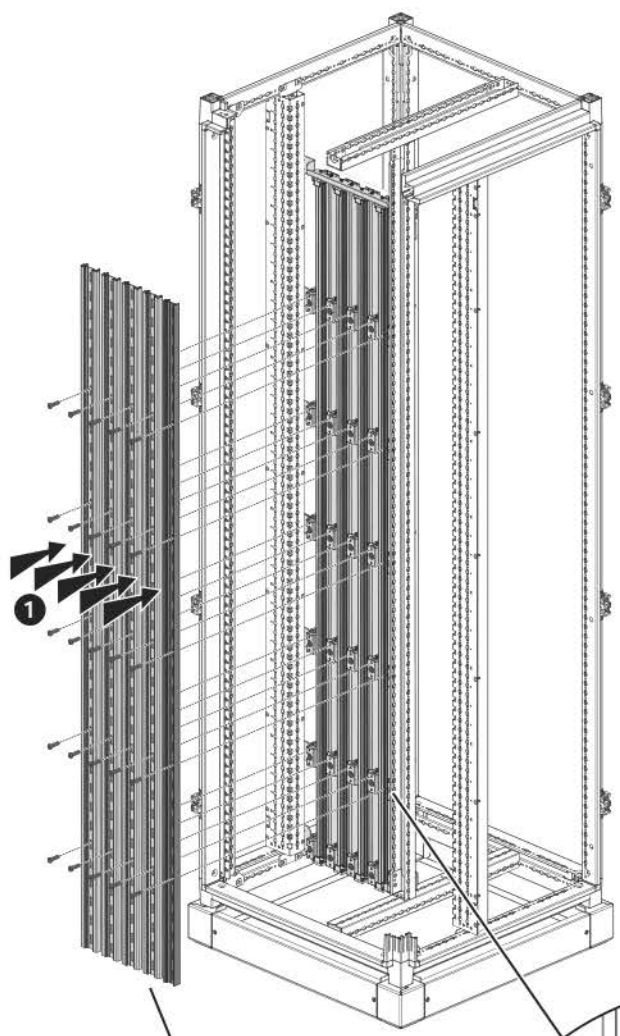


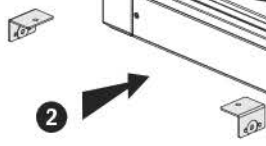
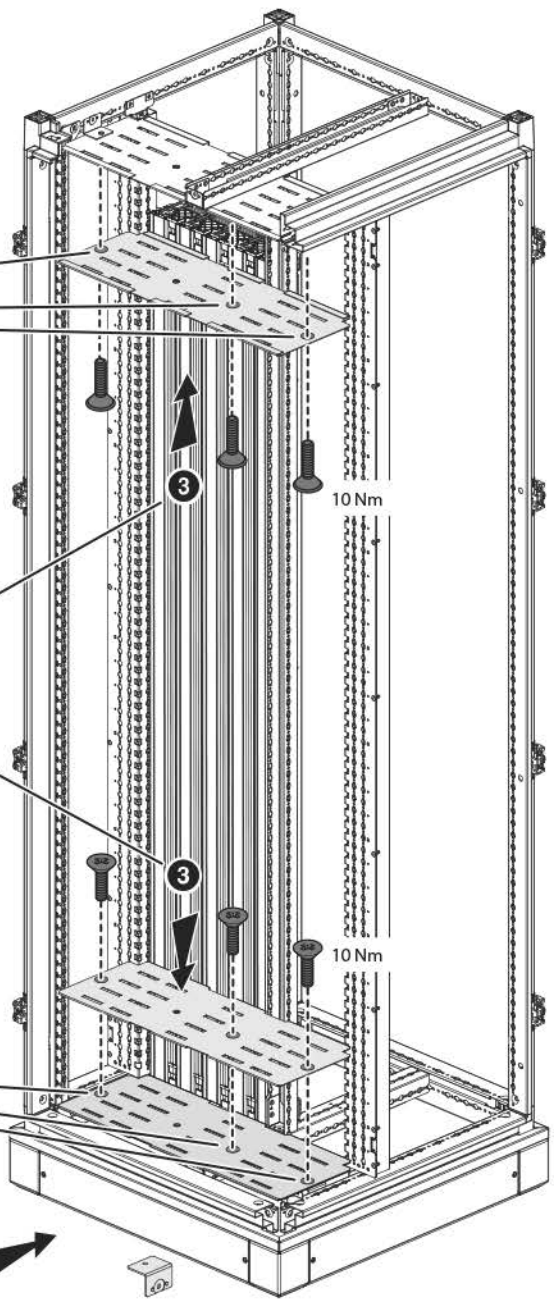
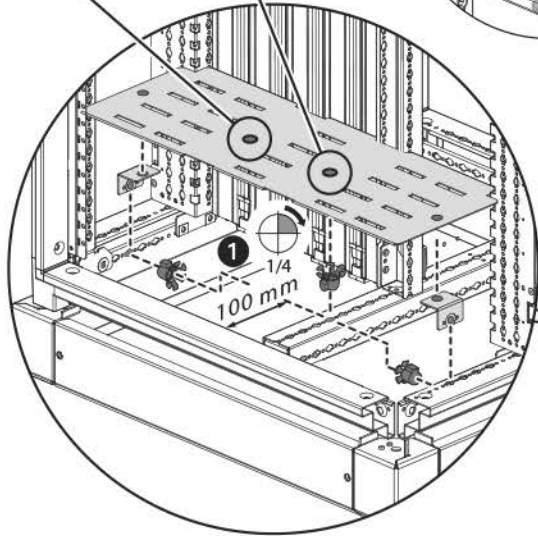
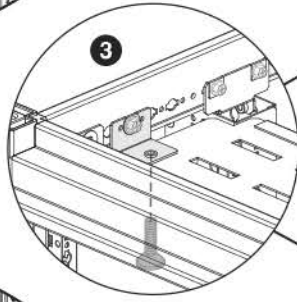
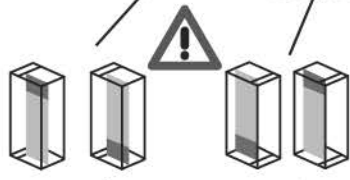
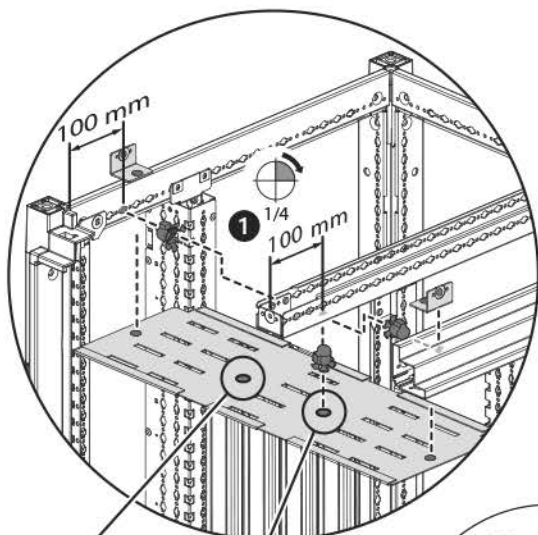
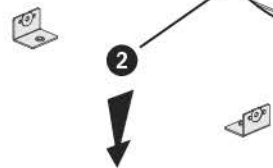
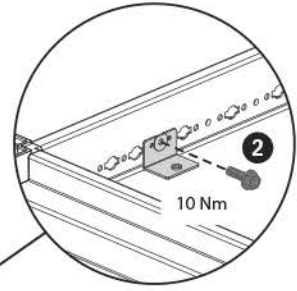
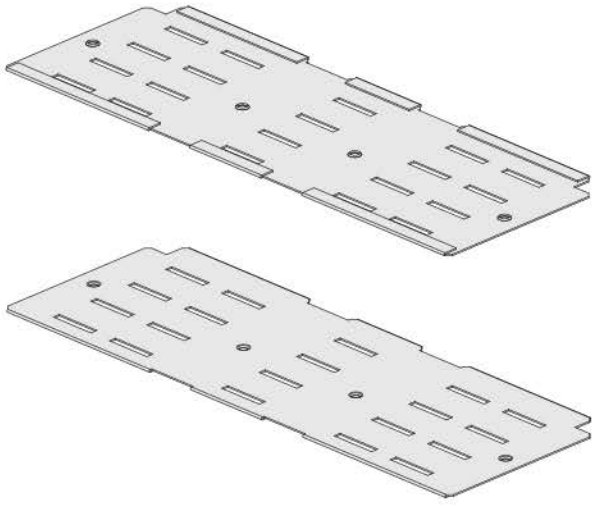
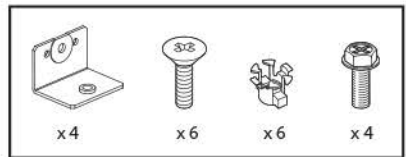


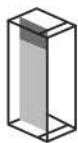
	N	L1	L2	L3
	■	■	■	■
	L3	L2	L1	N
	■	■	■	■



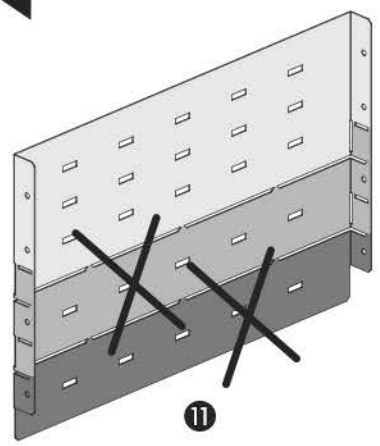
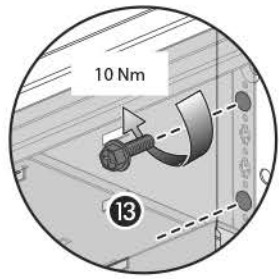
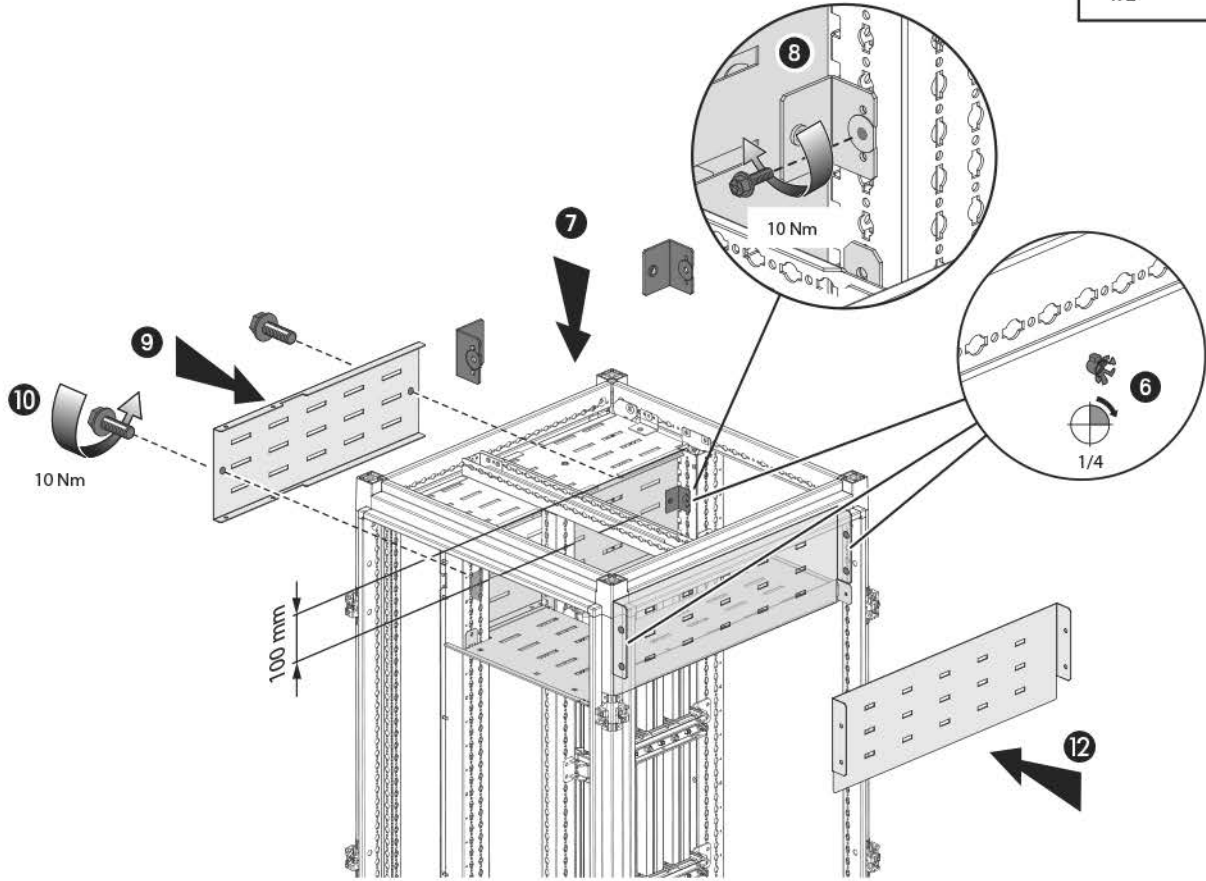
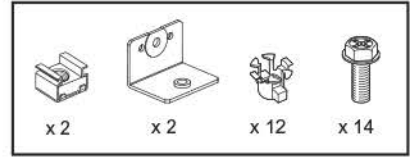
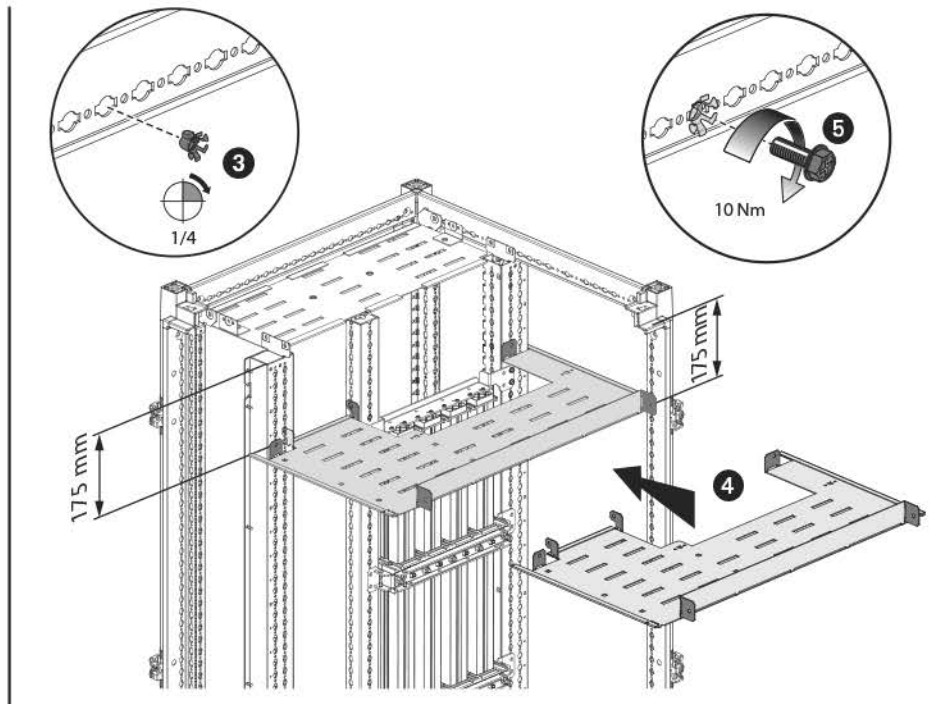
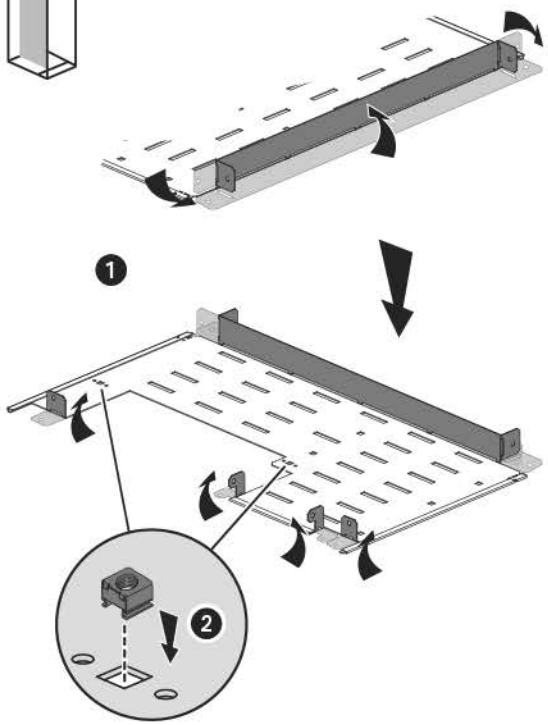




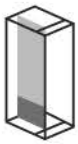




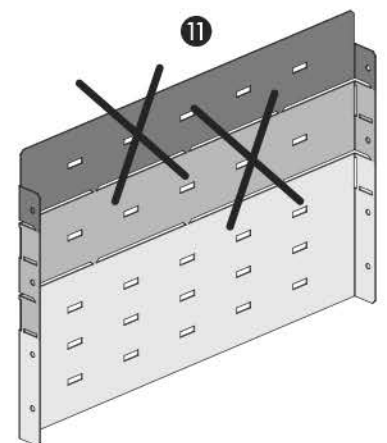
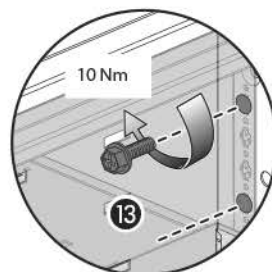
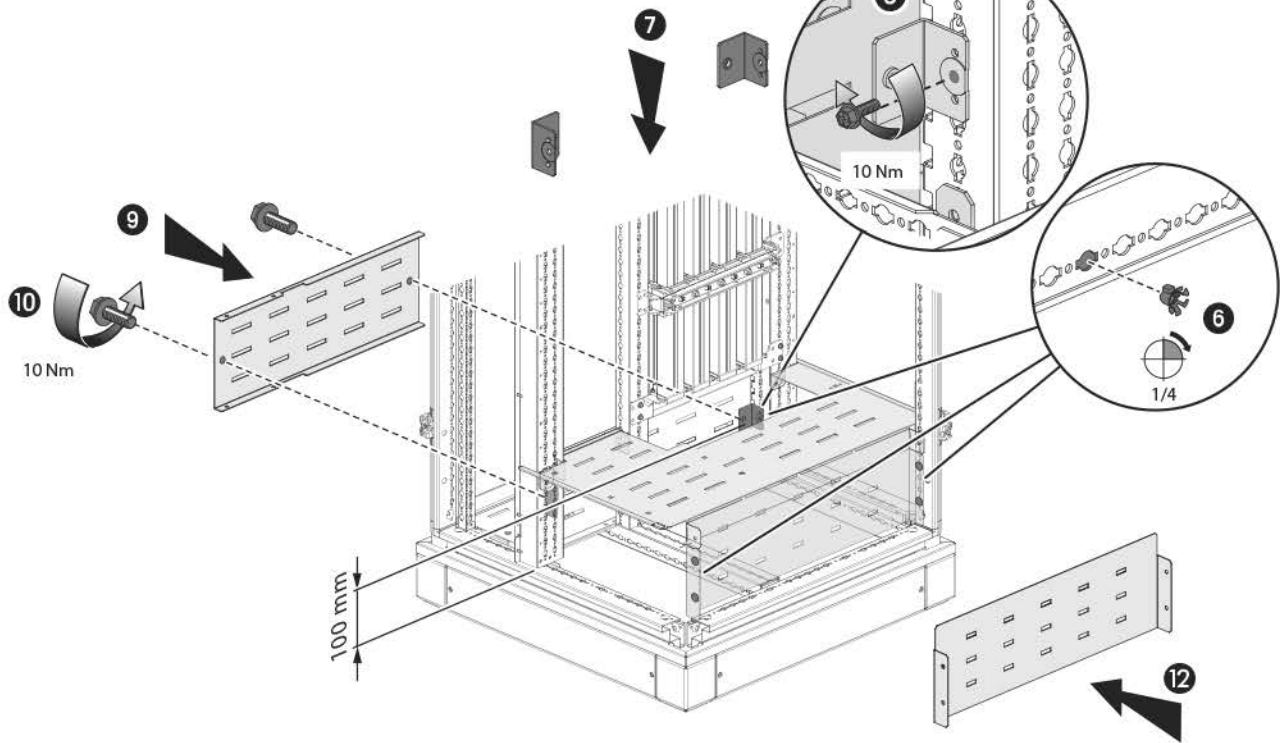
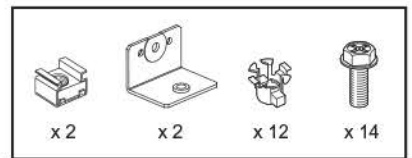
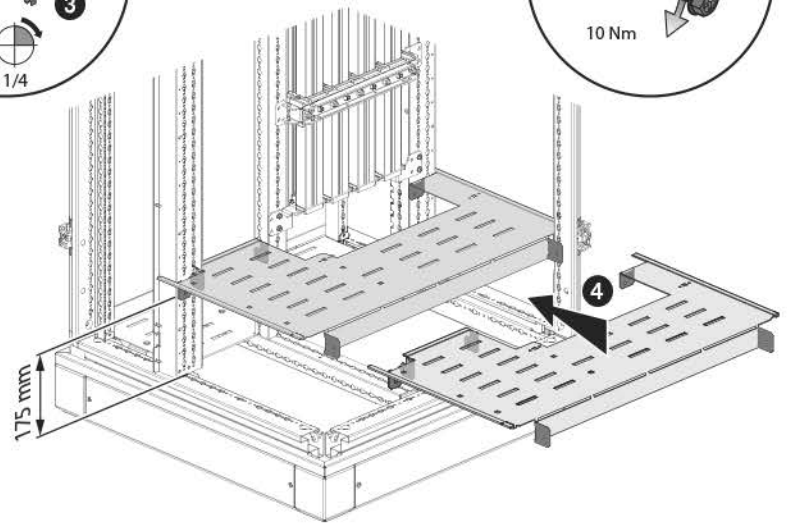
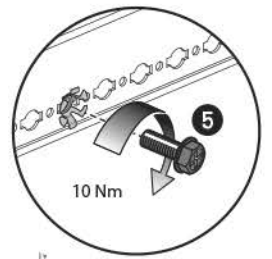
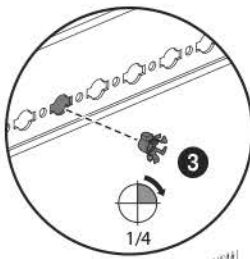
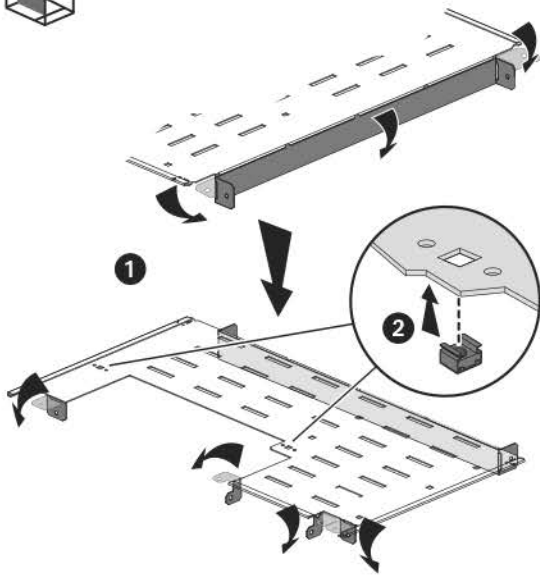
H=200

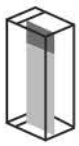




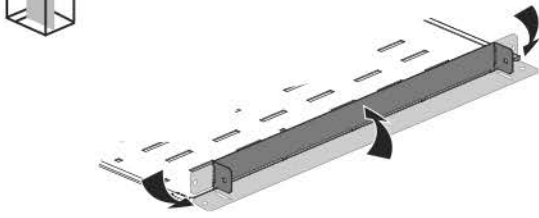


H=200

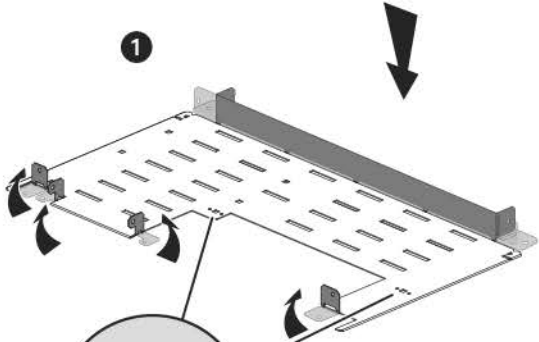




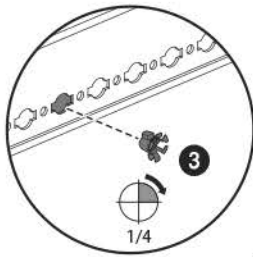
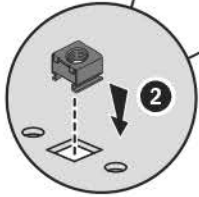
H=200



1

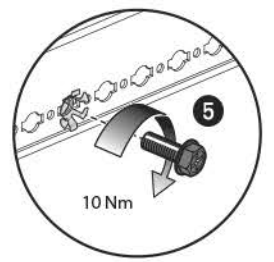


2



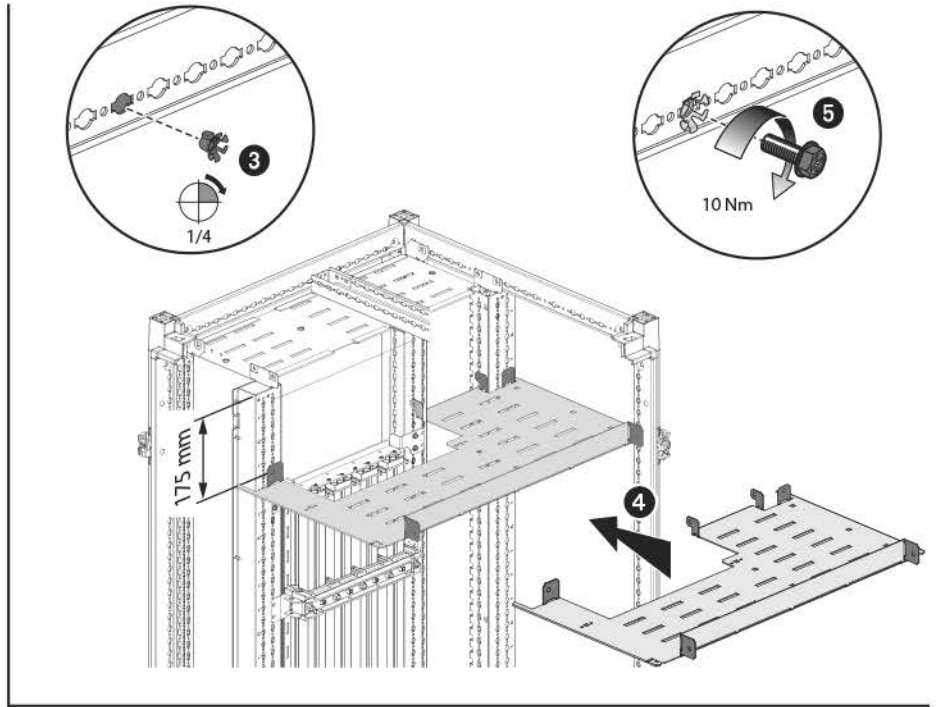
3

1/4



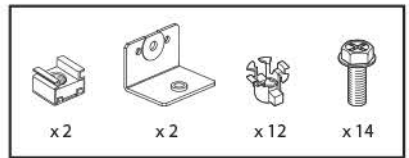
5

10 Nm



175 mm

4

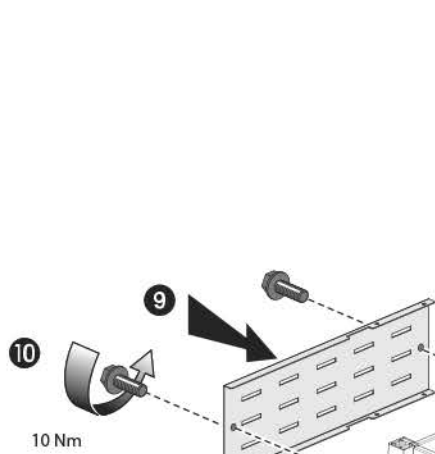


x2

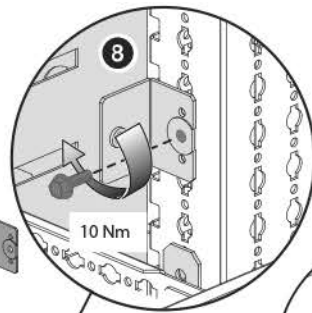
x2

x12

x14

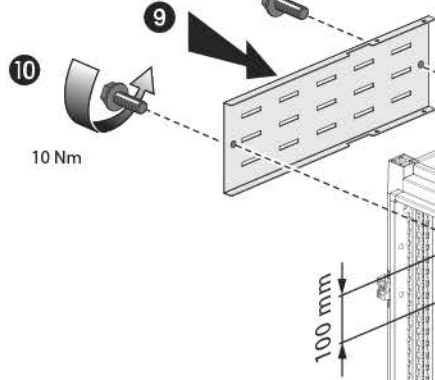


7



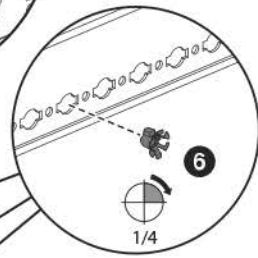
8

10 Nm



9

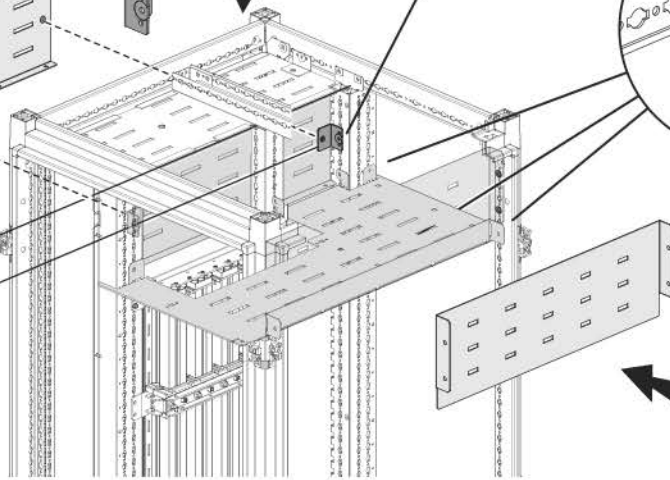
10 Nm



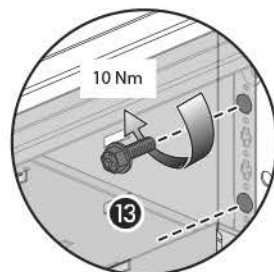
6

1/4

100 mm

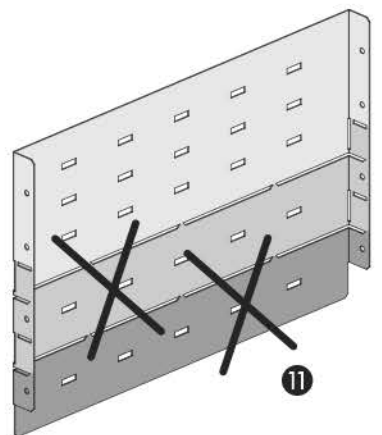


12



10 Nm

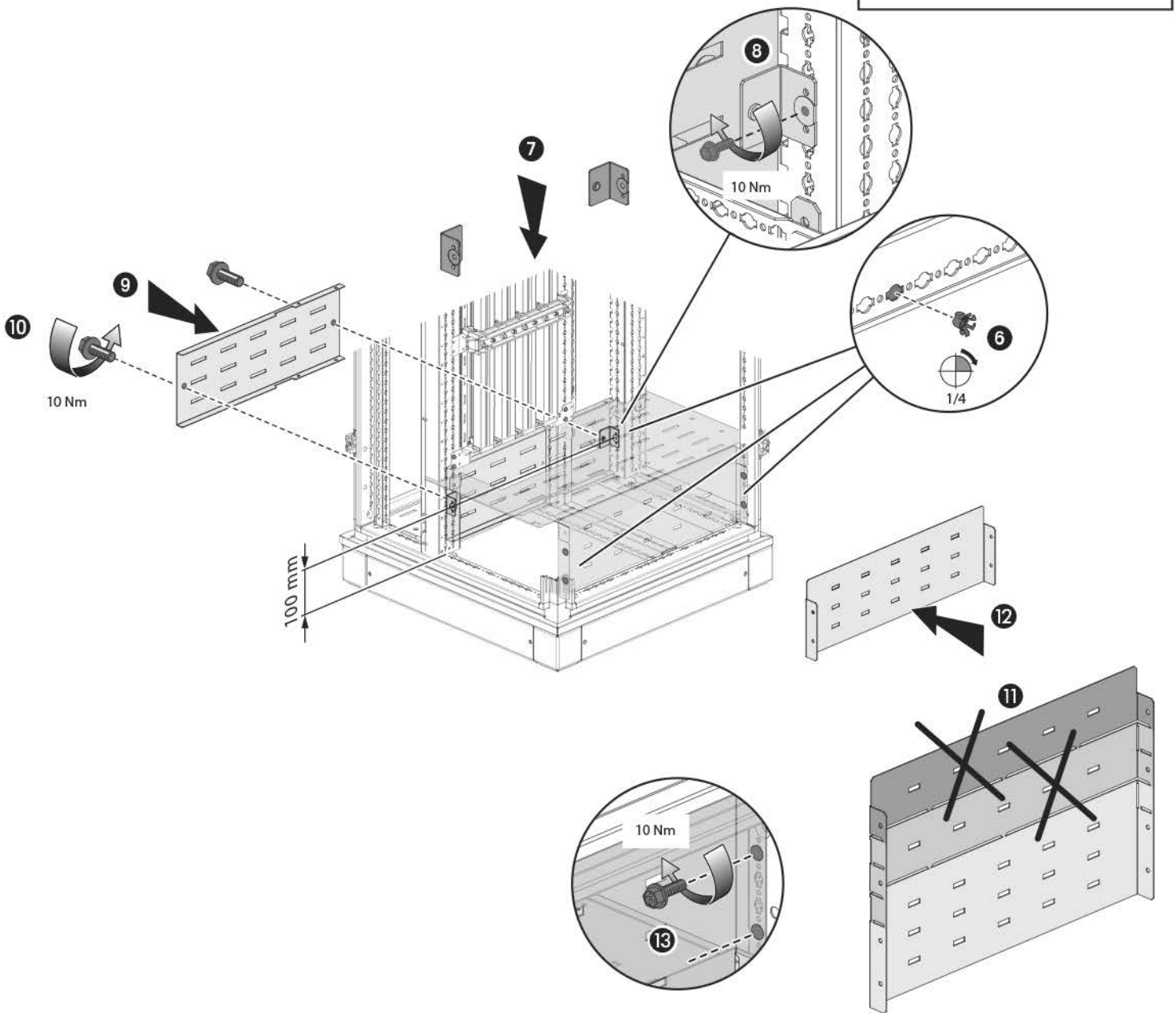
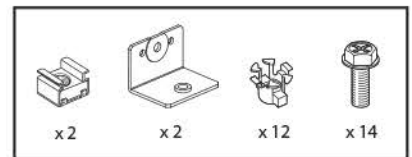
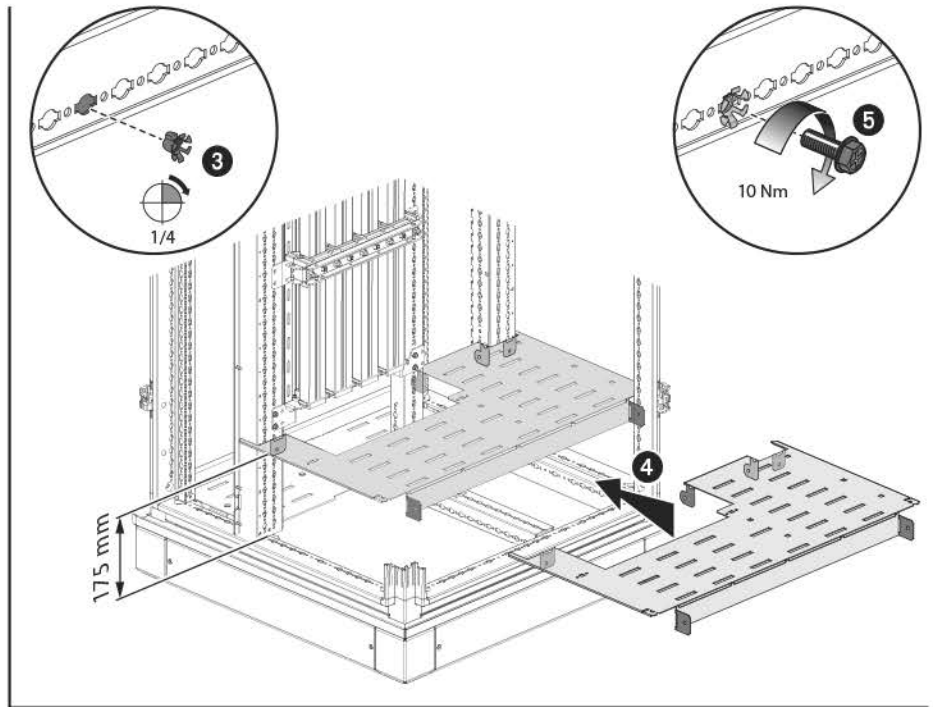
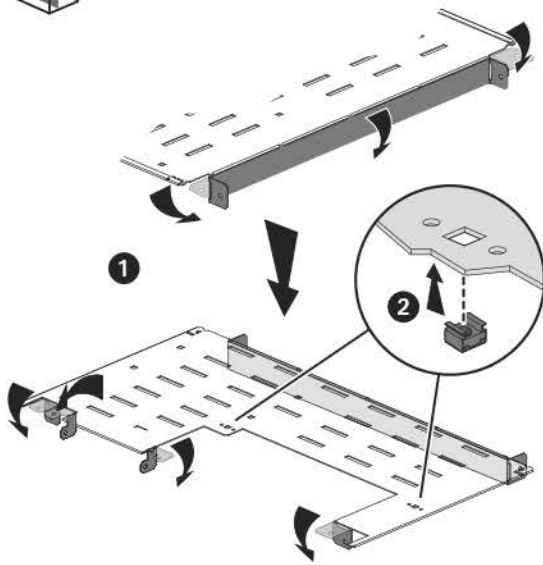
13



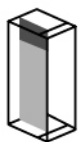
11



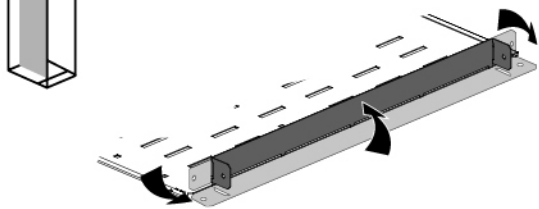
H=200



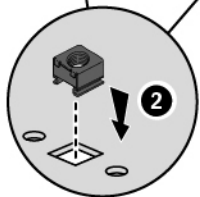
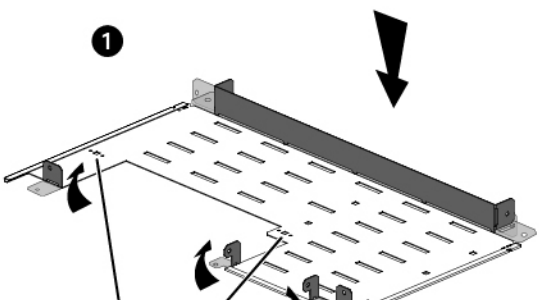




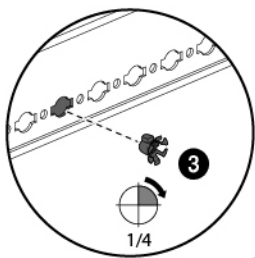
H=300



1

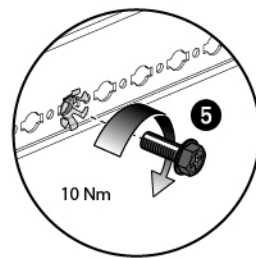


2



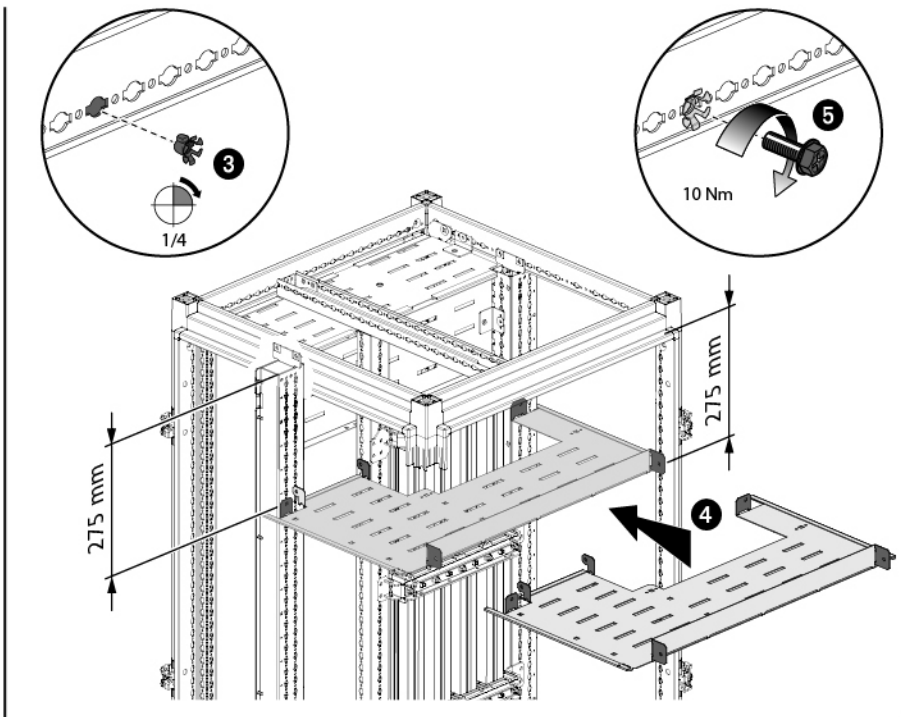
3

1/4



5

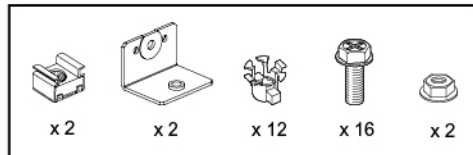
10 Nm



275 mm

275 mm

4



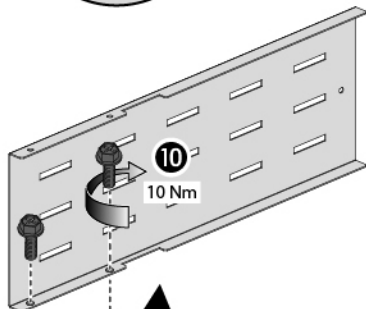
x 2

x 2

x 12

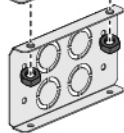
x 16

x 2



10

10 Nm



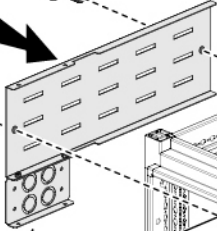
9



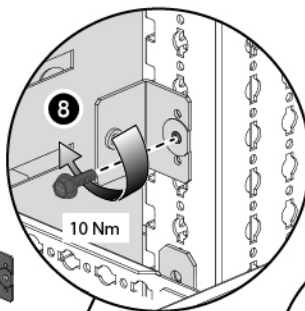
12

10 Nm

11

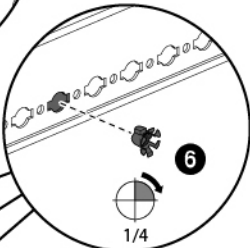


7



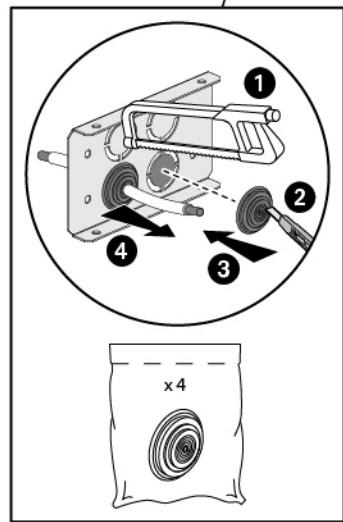
8

10 Nm



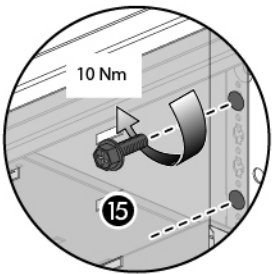
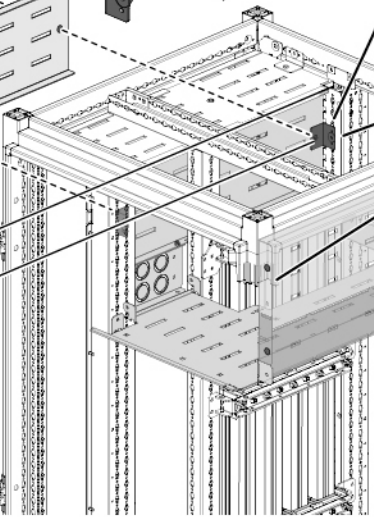
6

1/4



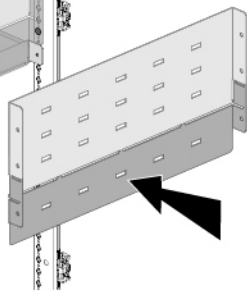
x 4

100 mm

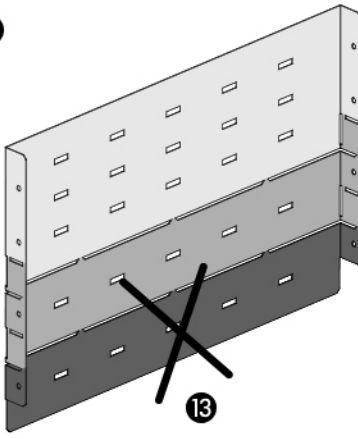


15

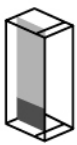
10 Nm



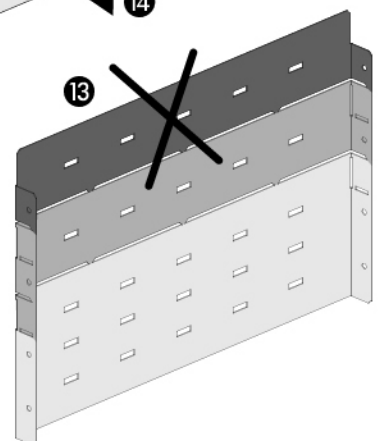
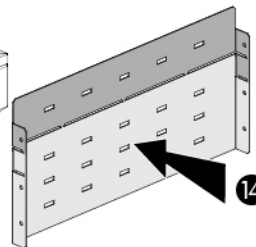
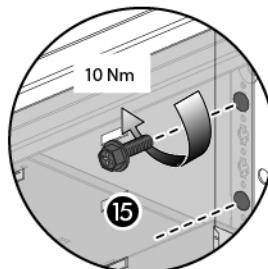
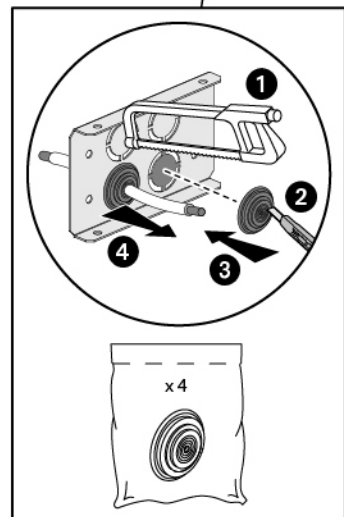
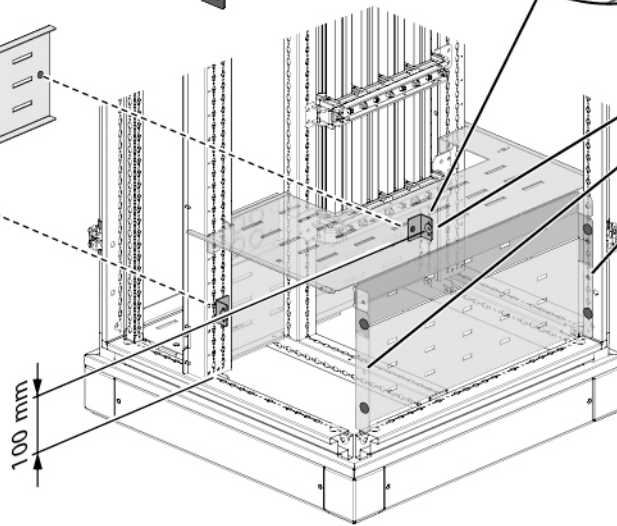
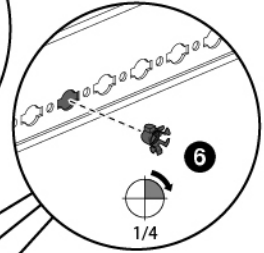
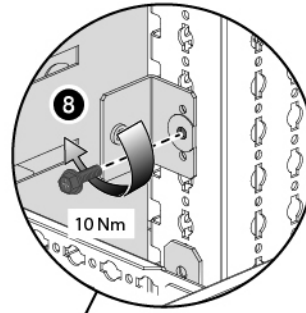
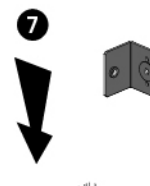
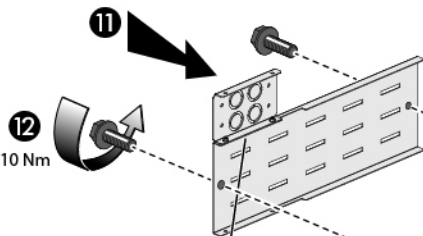
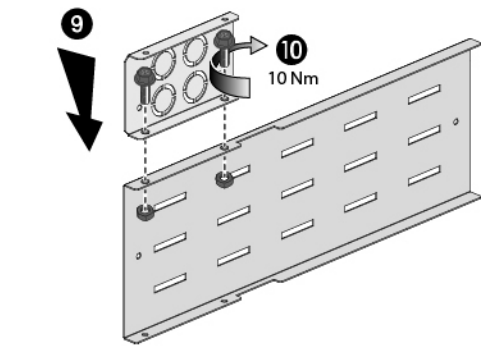
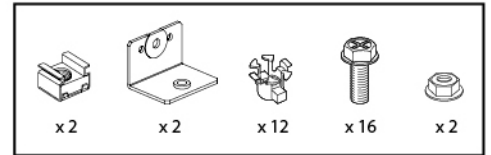
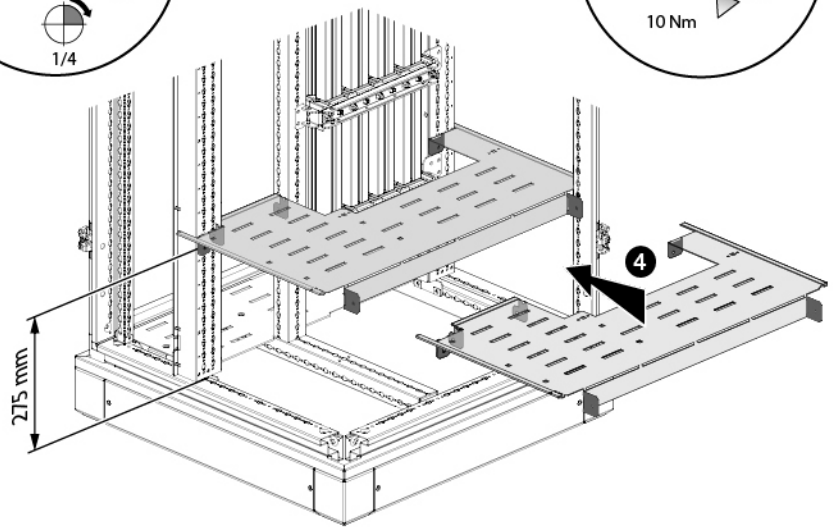
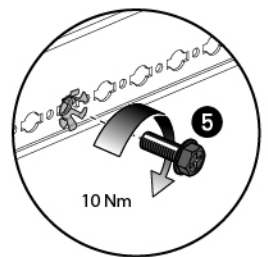
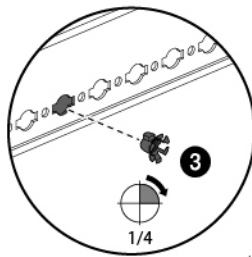
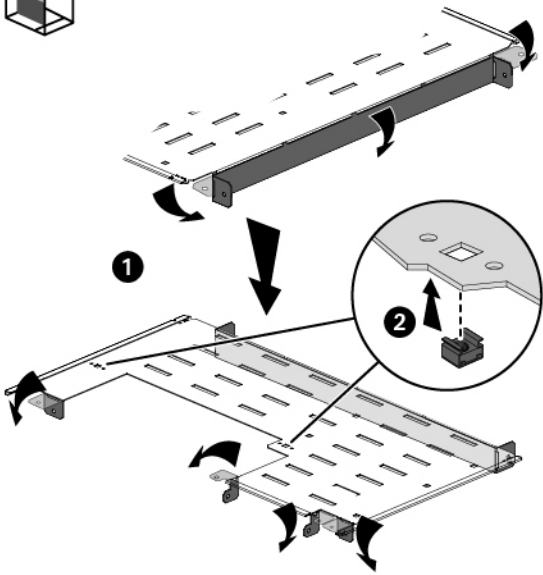
14

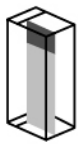


13

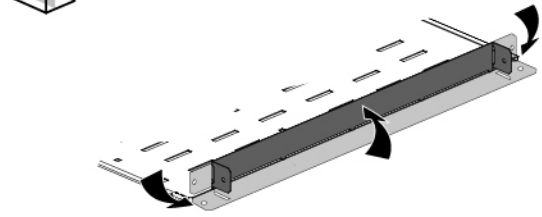


H=300

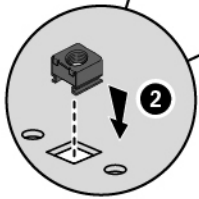
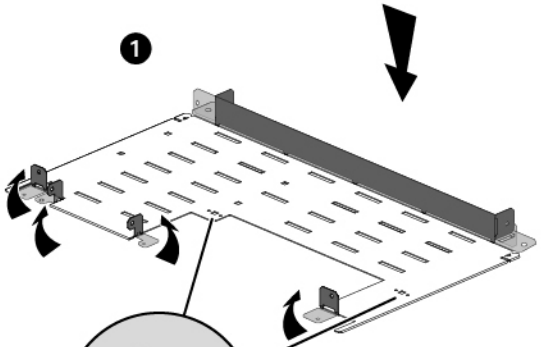




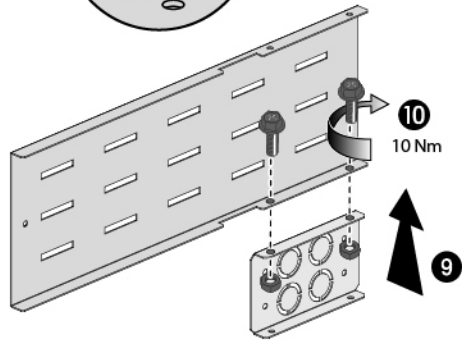
H=300



1

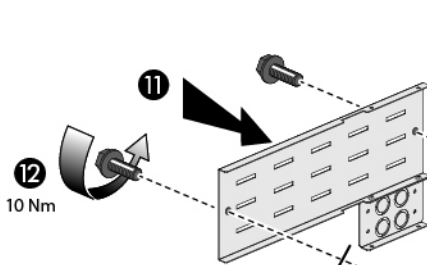


2



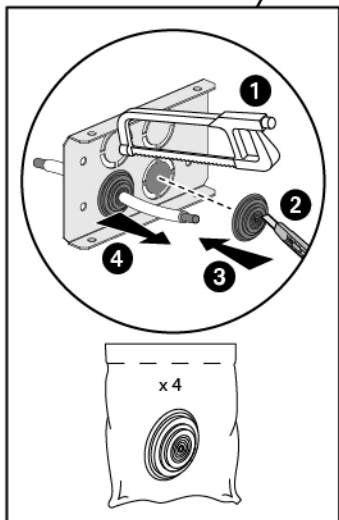
10  
10 Nm

9

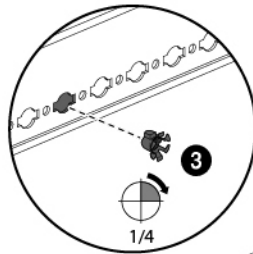


11

12  
10 Nm

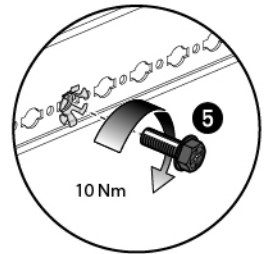


x 4



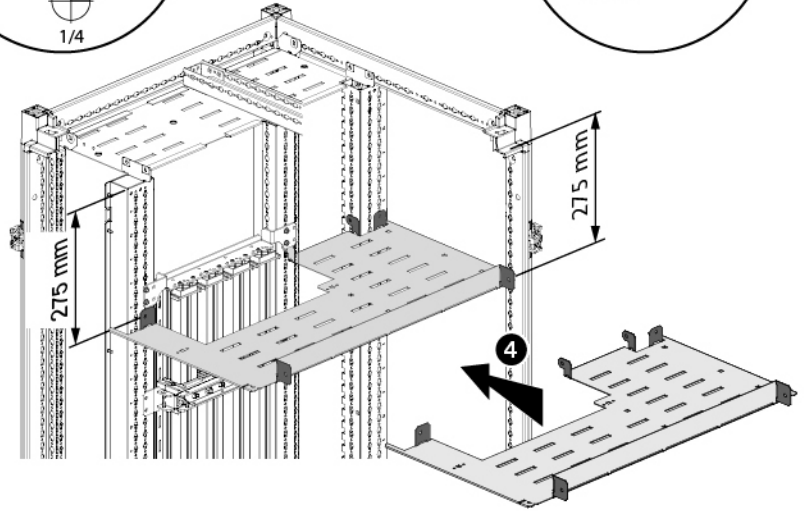
3

1/4



5

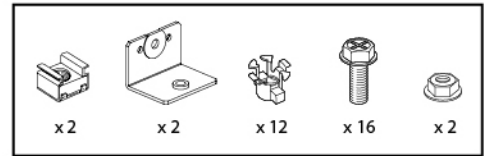
10 Nm



275 mm

275 mm

4



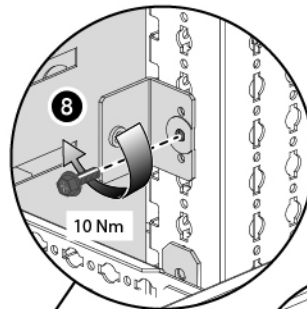
x 2

x 2

x 12

x 16

x 2



8

10 Nm

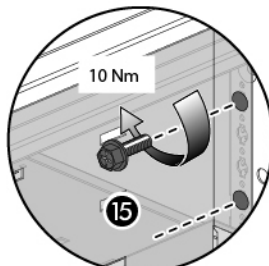
6

1/4

100 mm

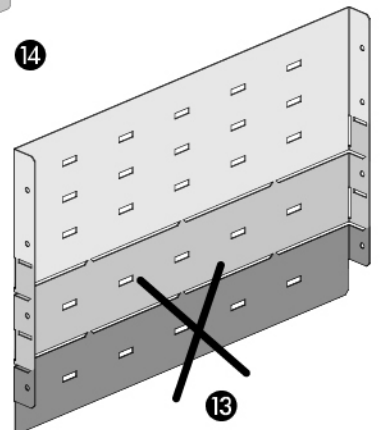
7

14



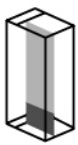
10 Nm

15

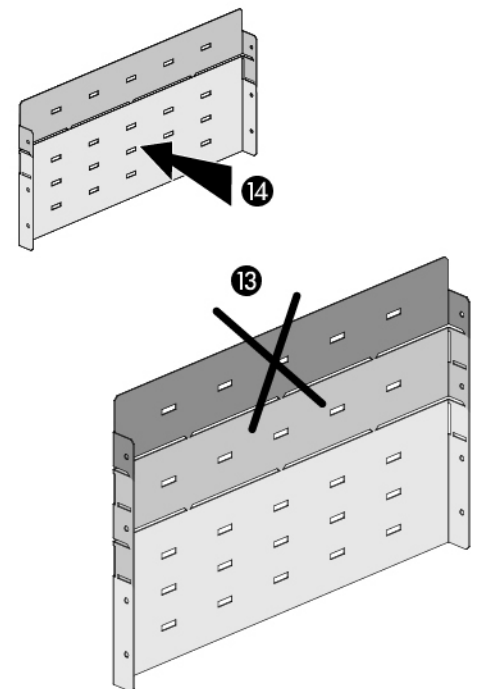
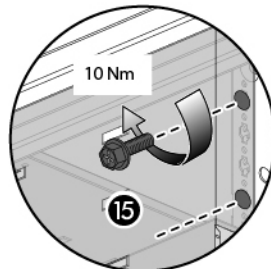
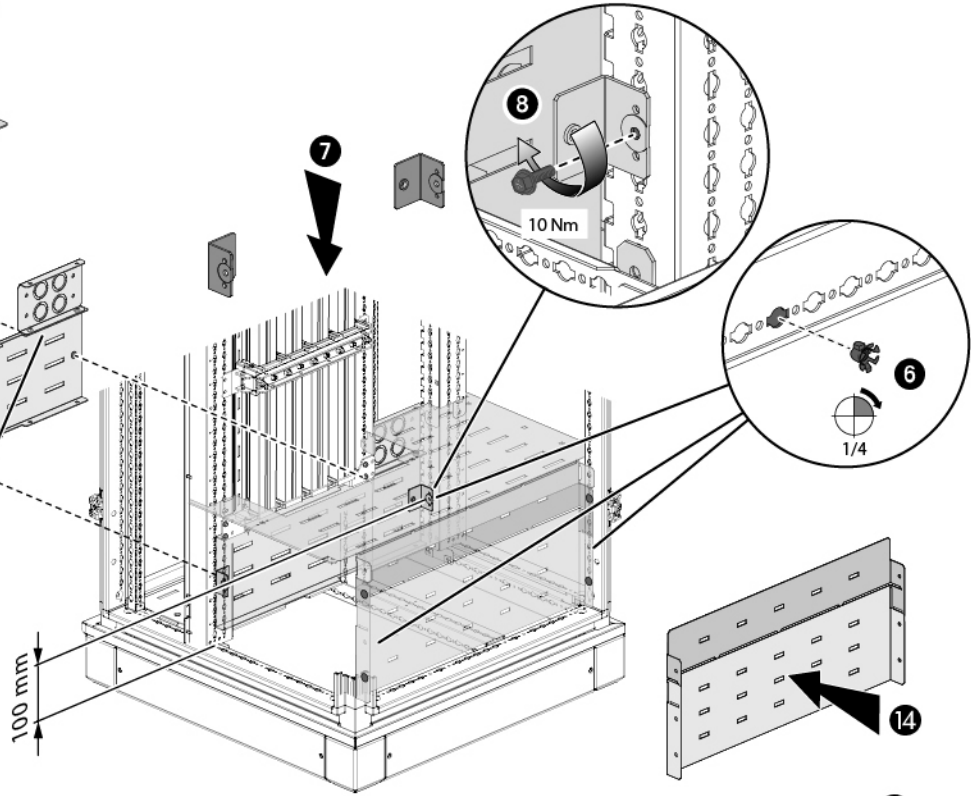
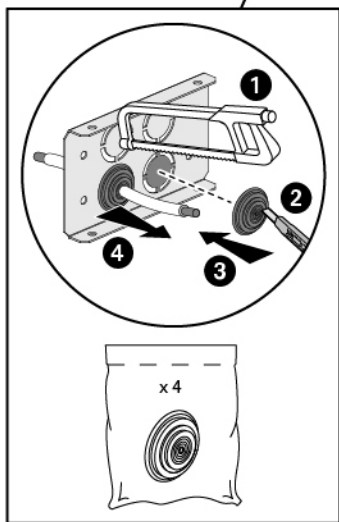
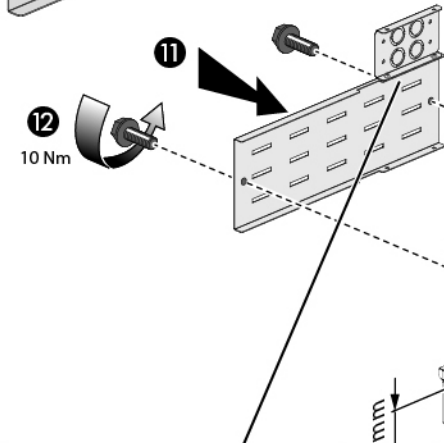
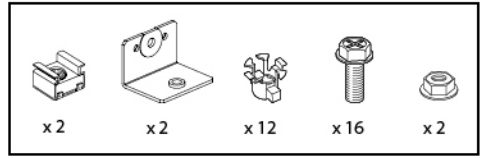
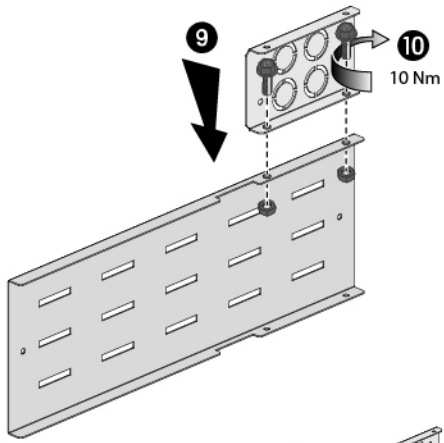
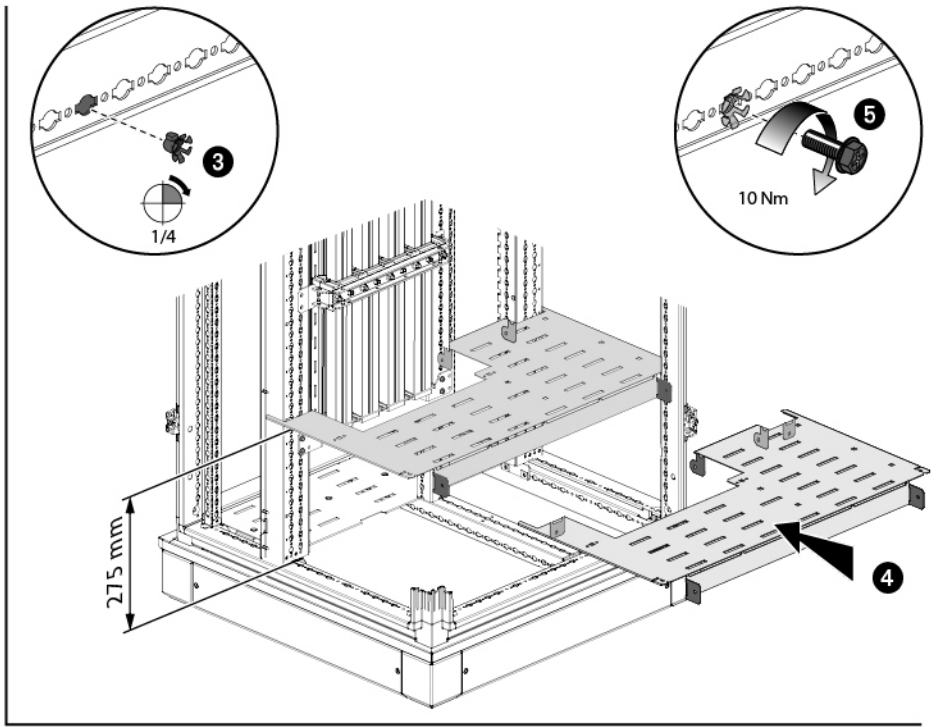
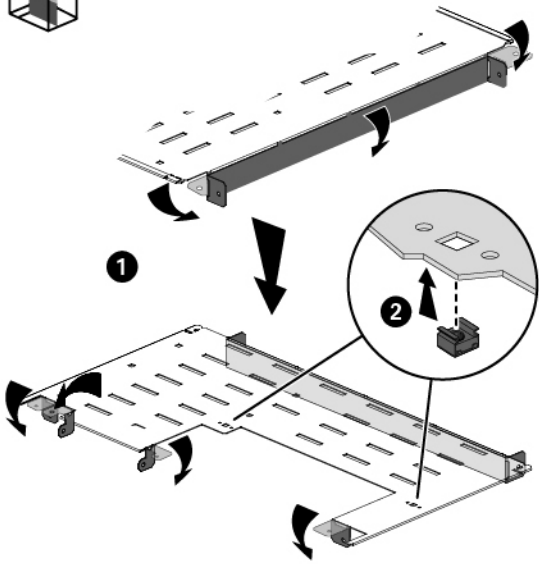


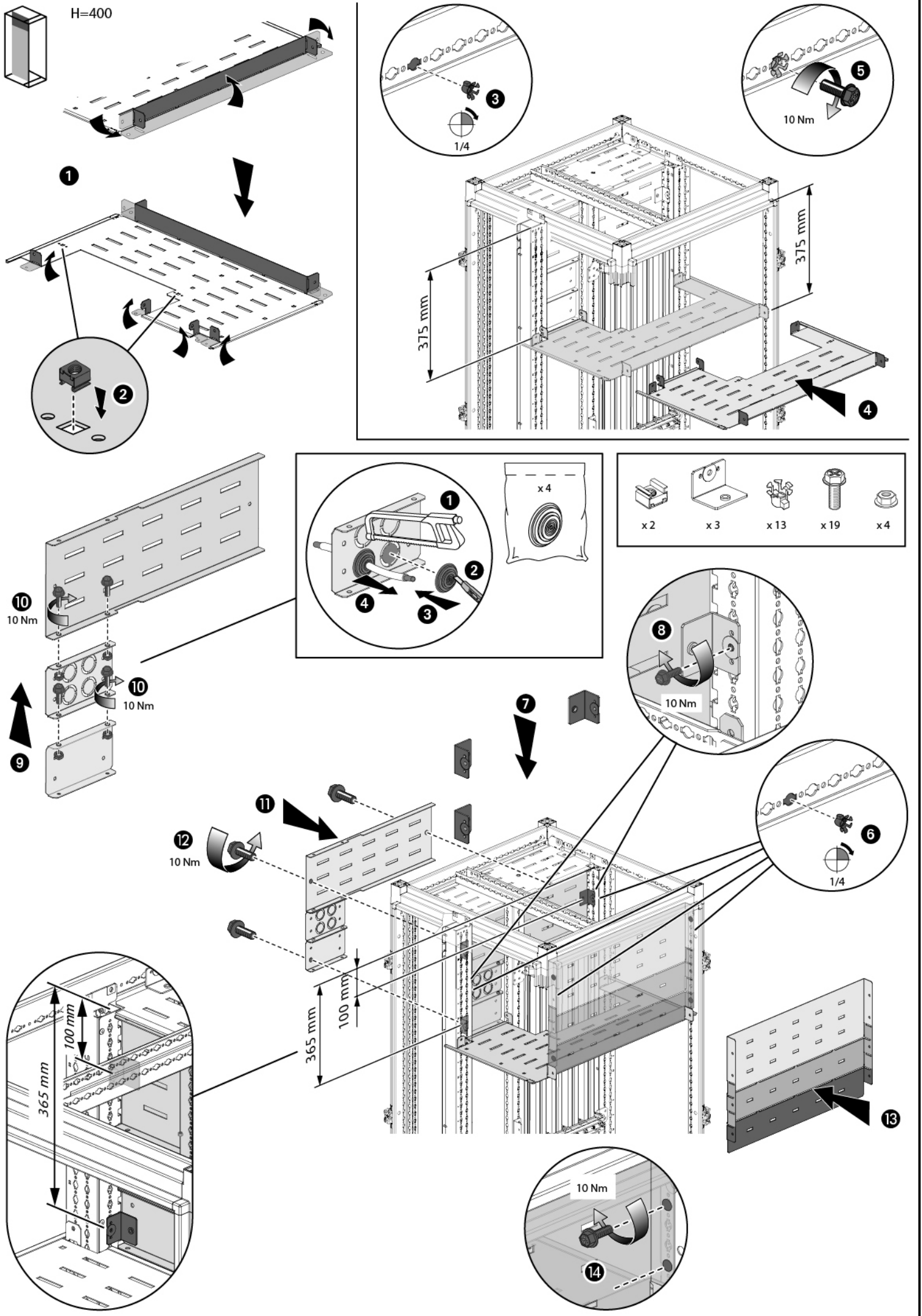
13

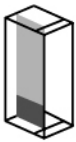




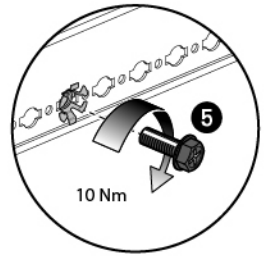
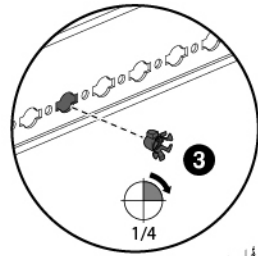
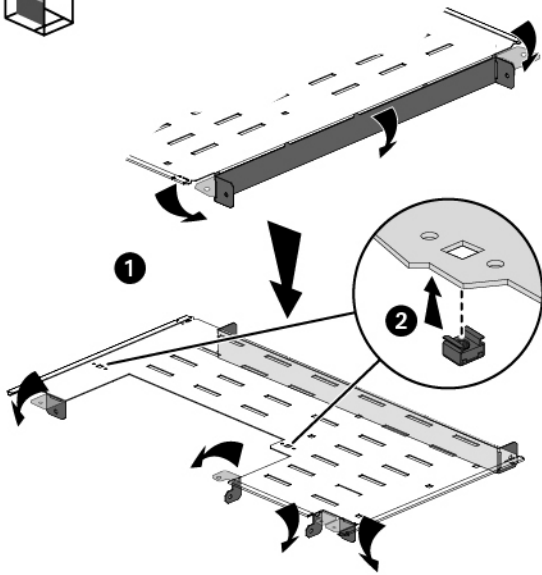
H=300



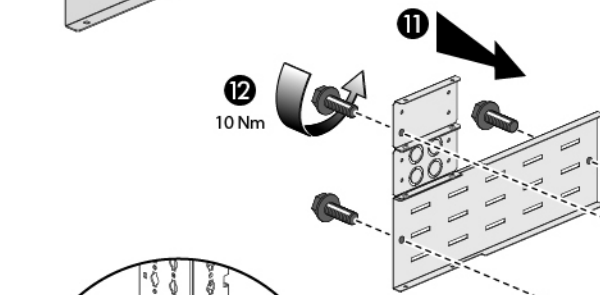
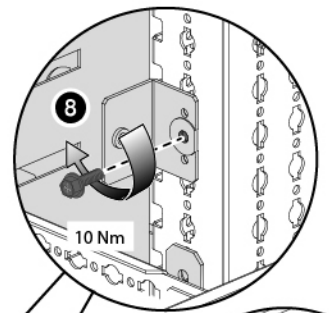
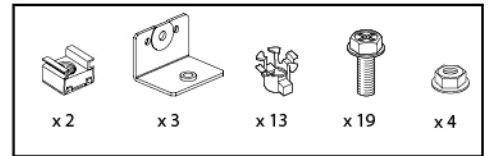
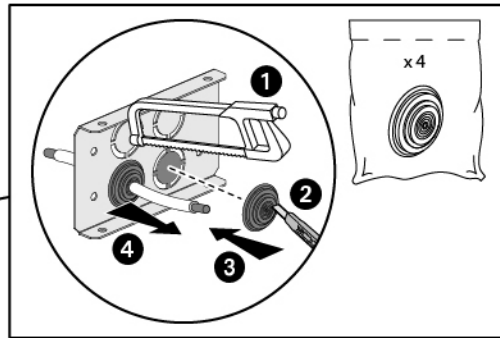
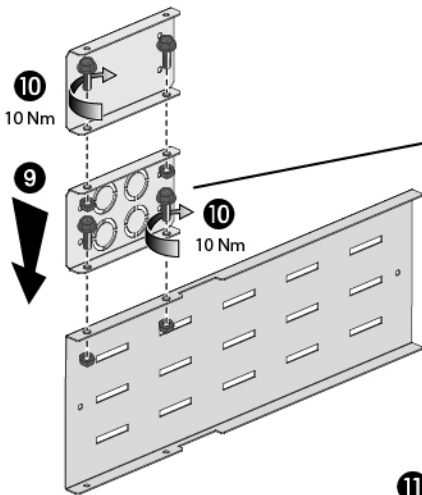




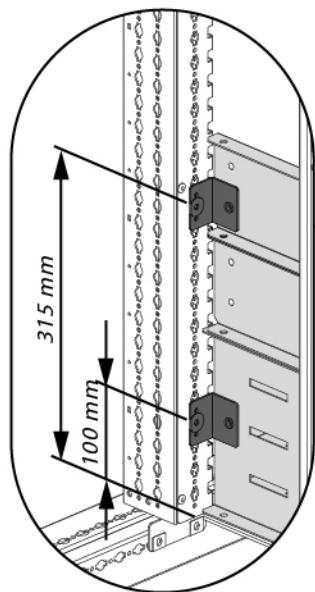
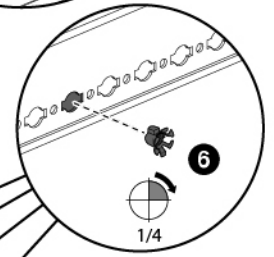
H 400



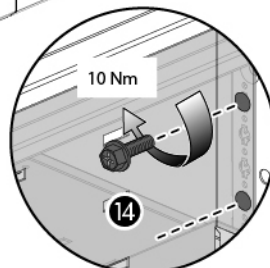
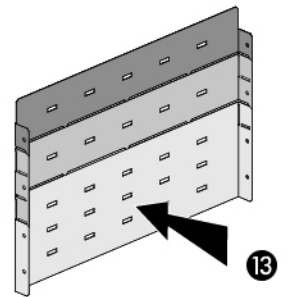
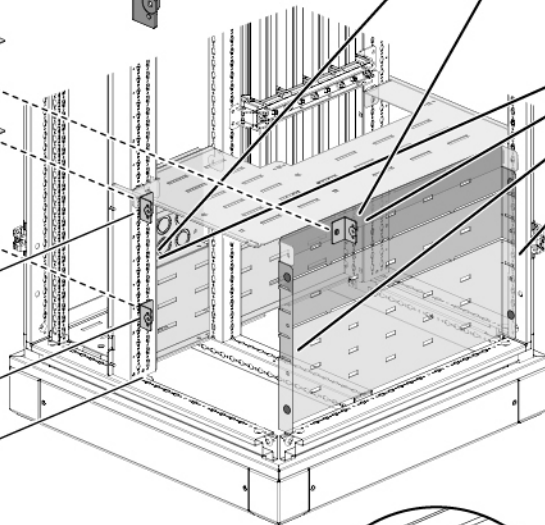
375 mm



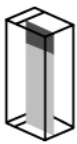
7



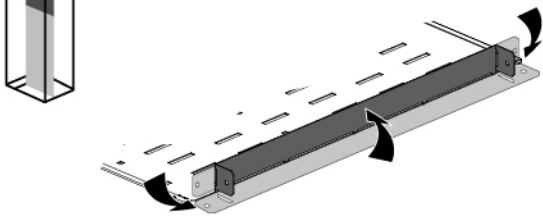
315 mm  
100 mm



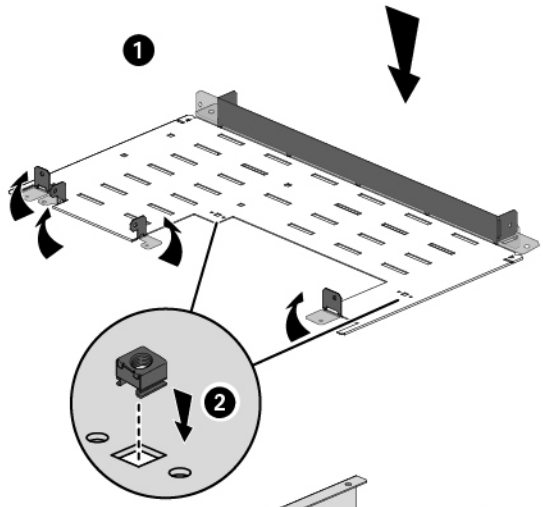




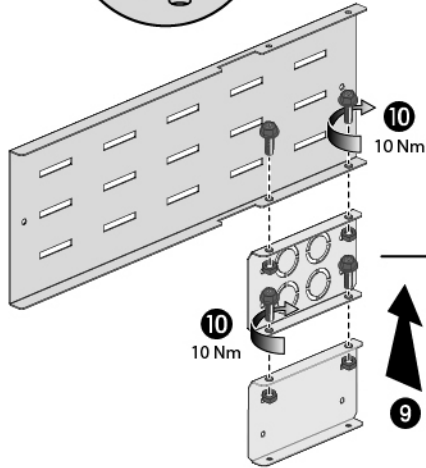
H=400



1



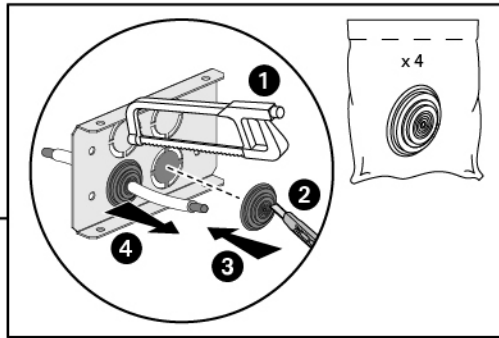
2



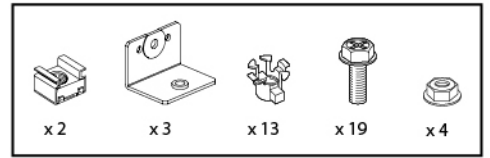
10 Nm

10 Nm

9



x 4



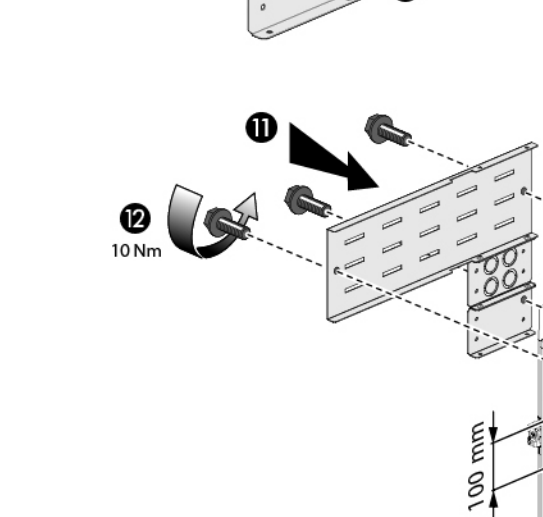
x 2

x 3

x 13

x 19

x 4

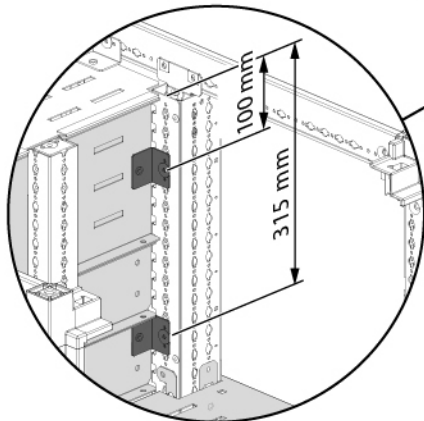


10 Nm

11

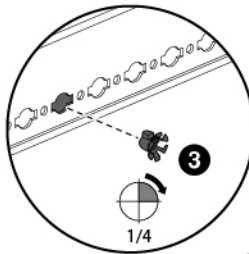
7

100 mm



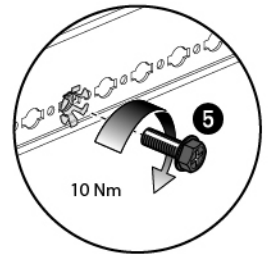
100 mm

315 mm



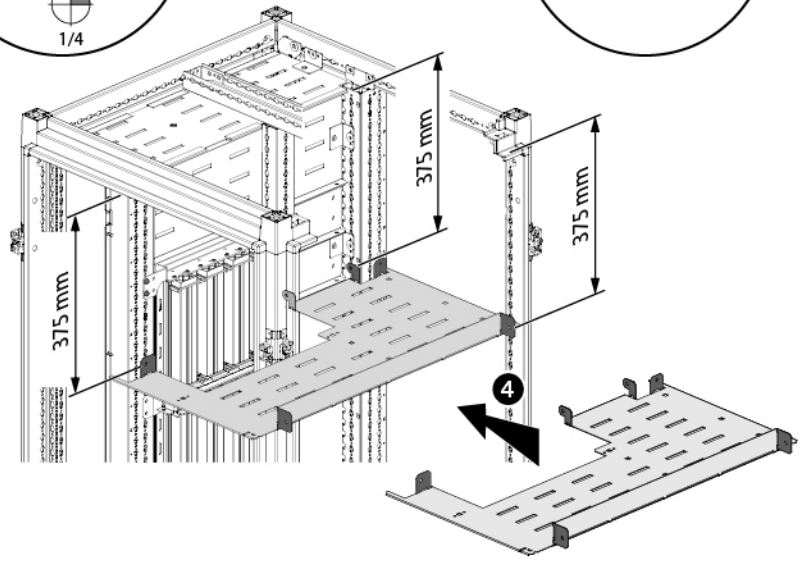
3

1/4



5

10 Nm

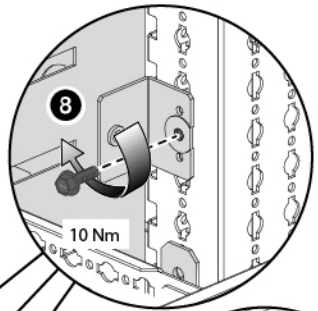


375 mm

375 mm

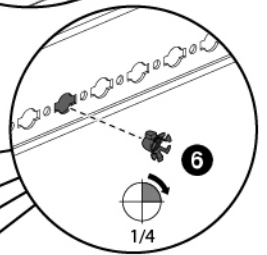
315 mm

4



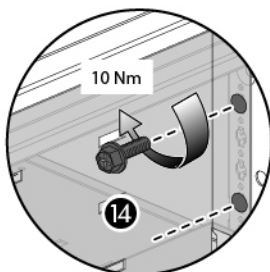
8

10 Nm



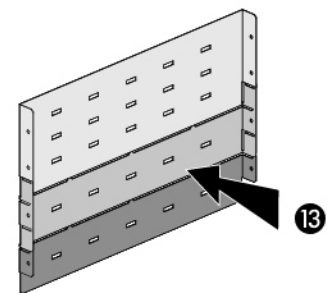
6

1/4

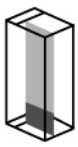


10 Nm

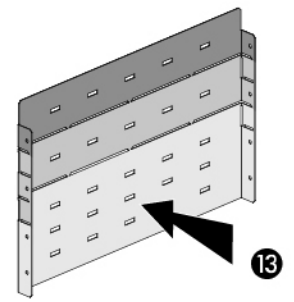
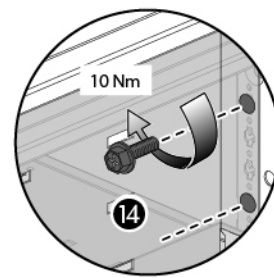
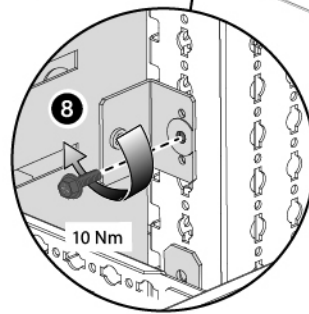
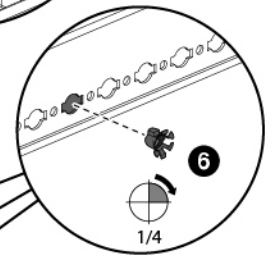
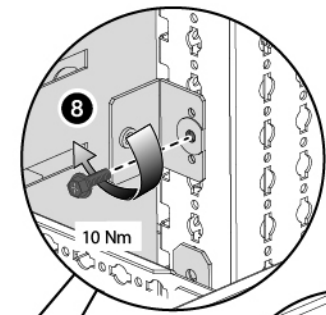
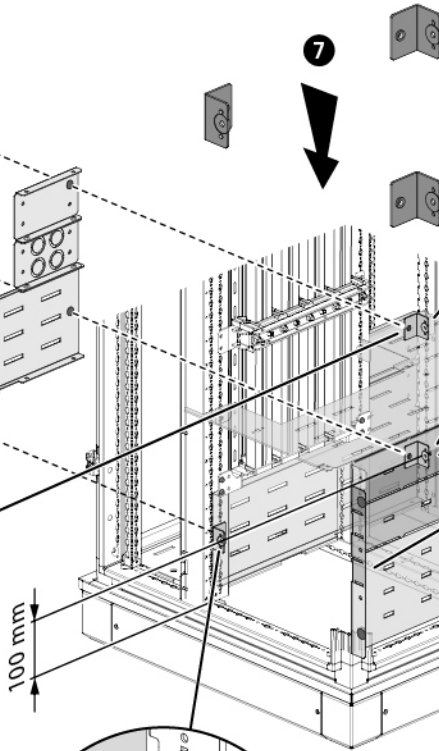
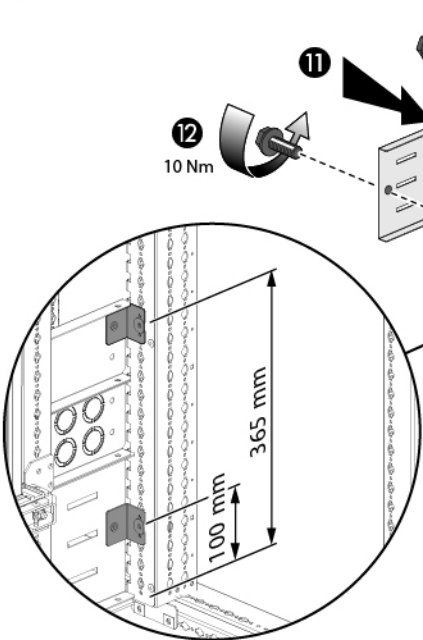
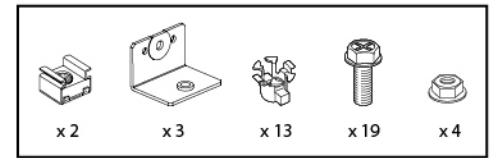
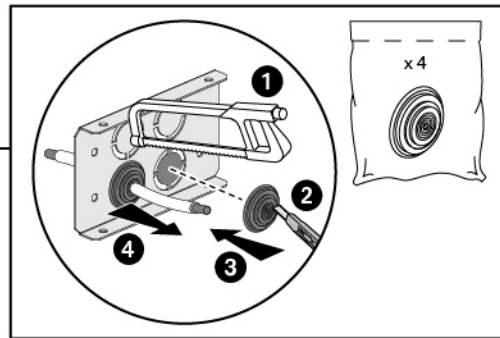
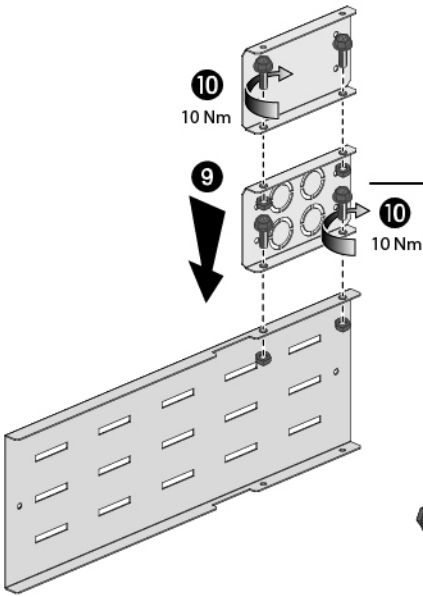
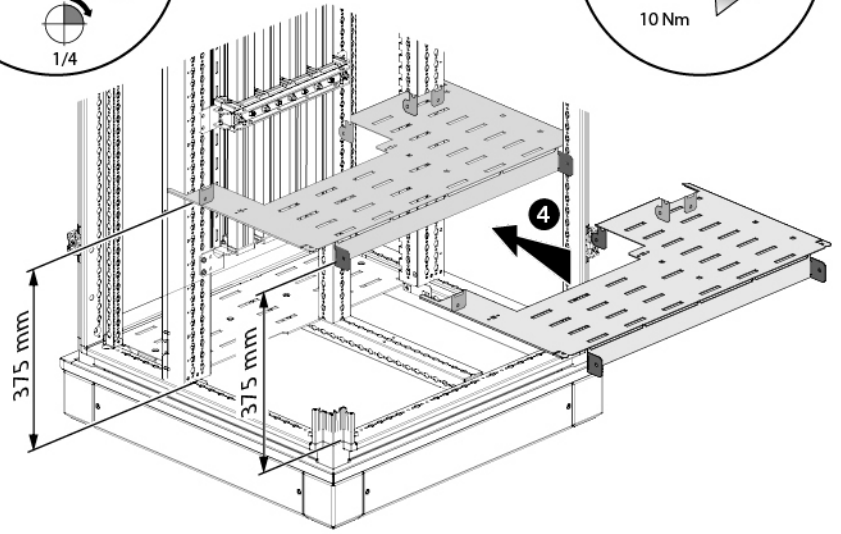
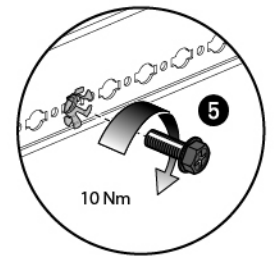
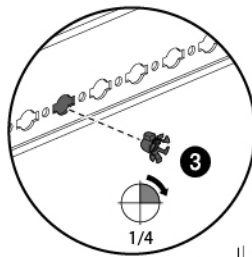
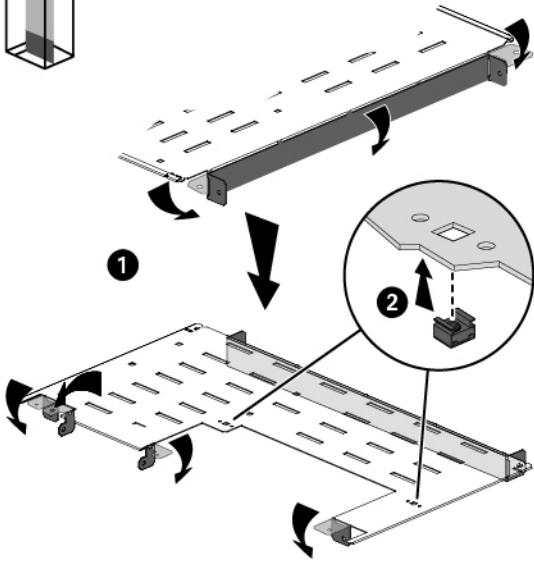
14



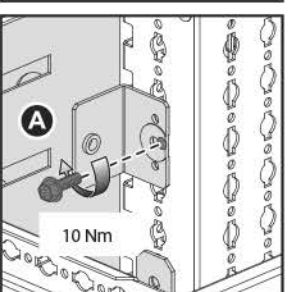
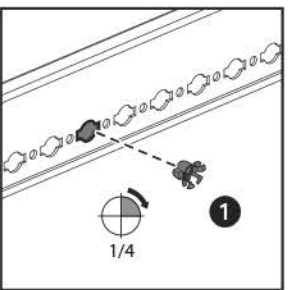
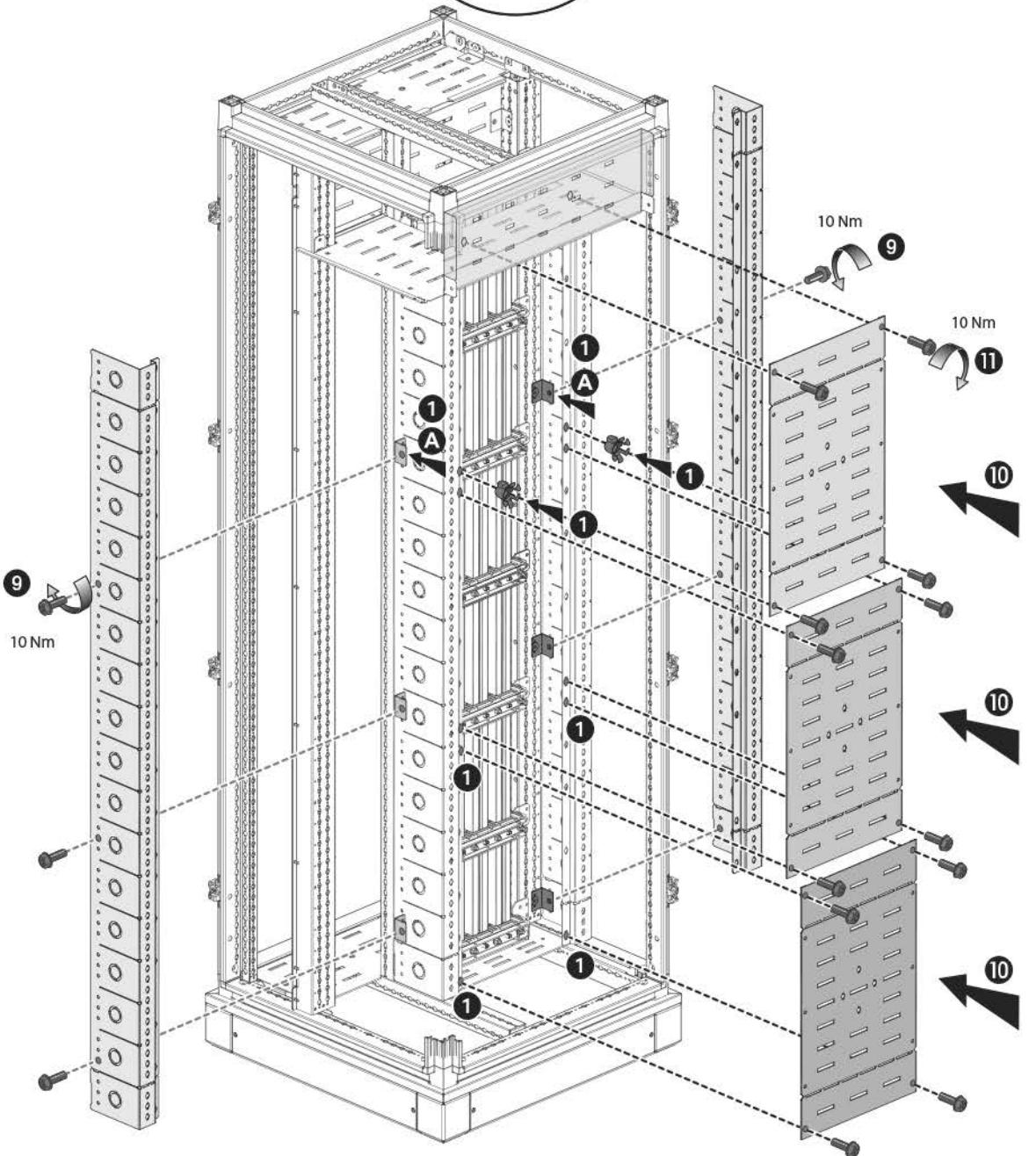
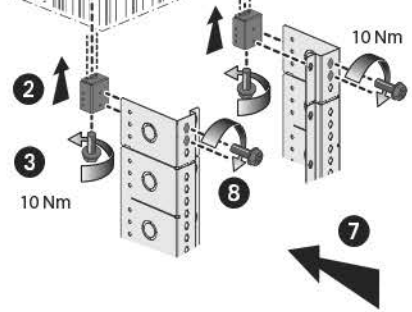
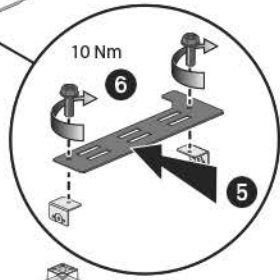
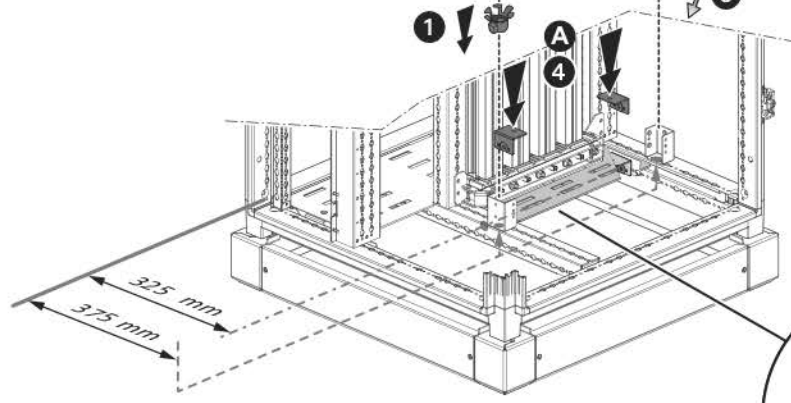
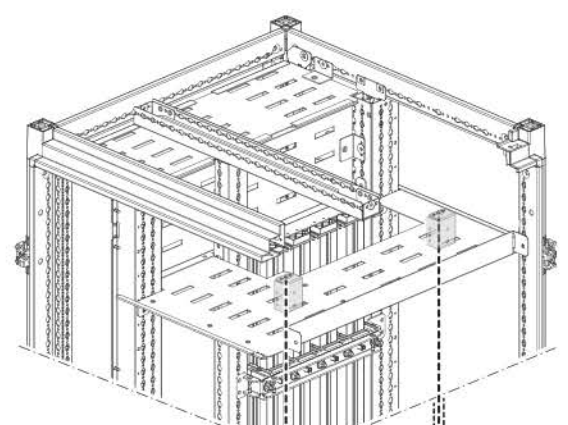
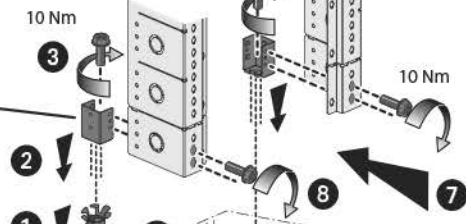
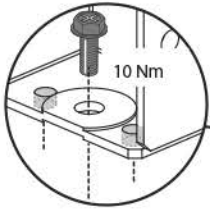
13

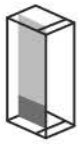


H=400

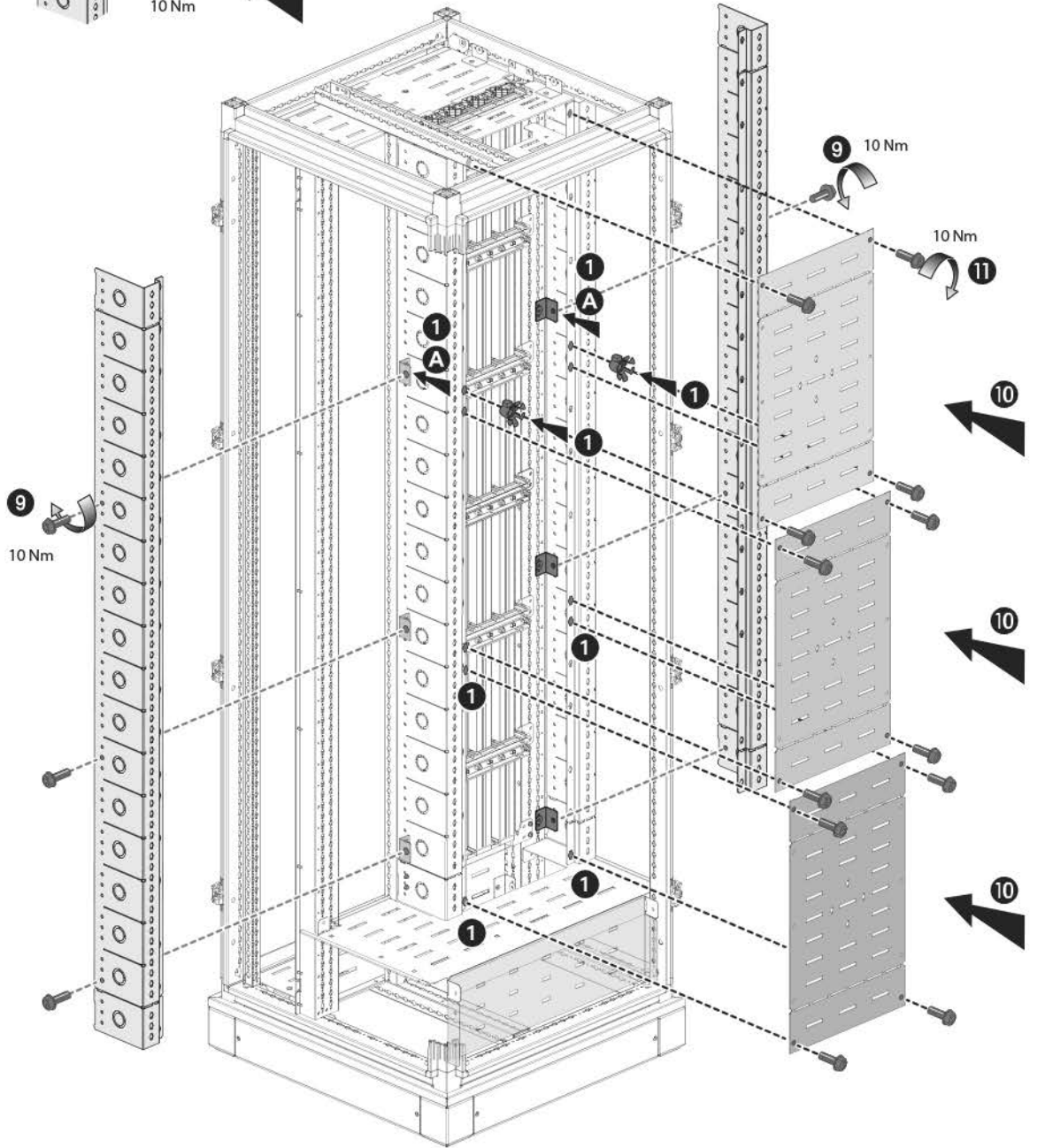
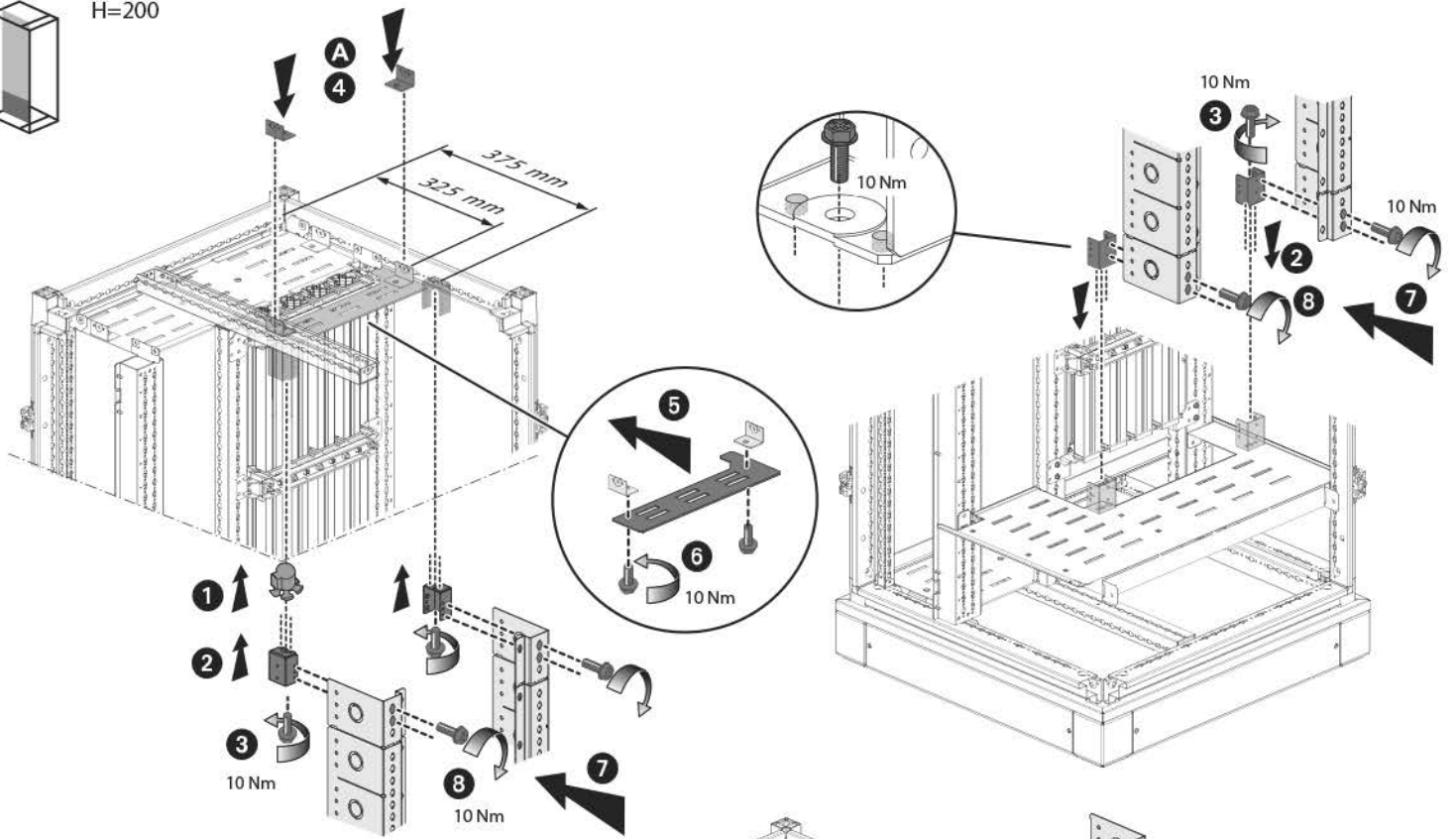


H=200

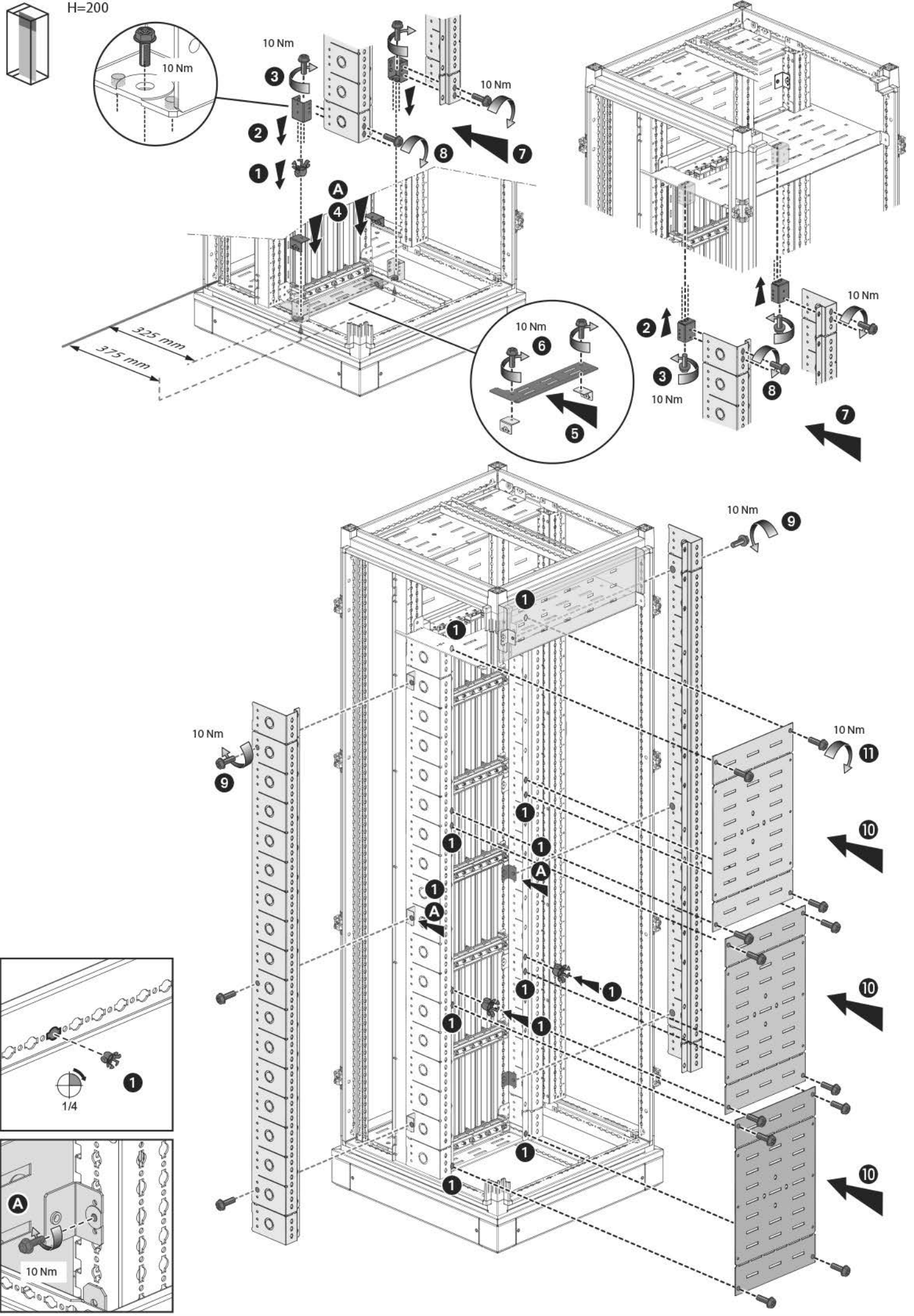




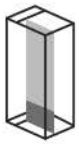
H=200



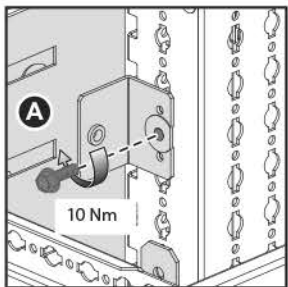
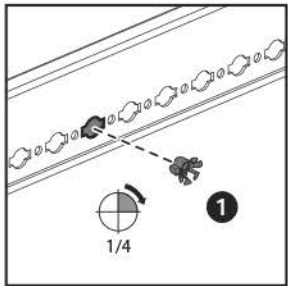
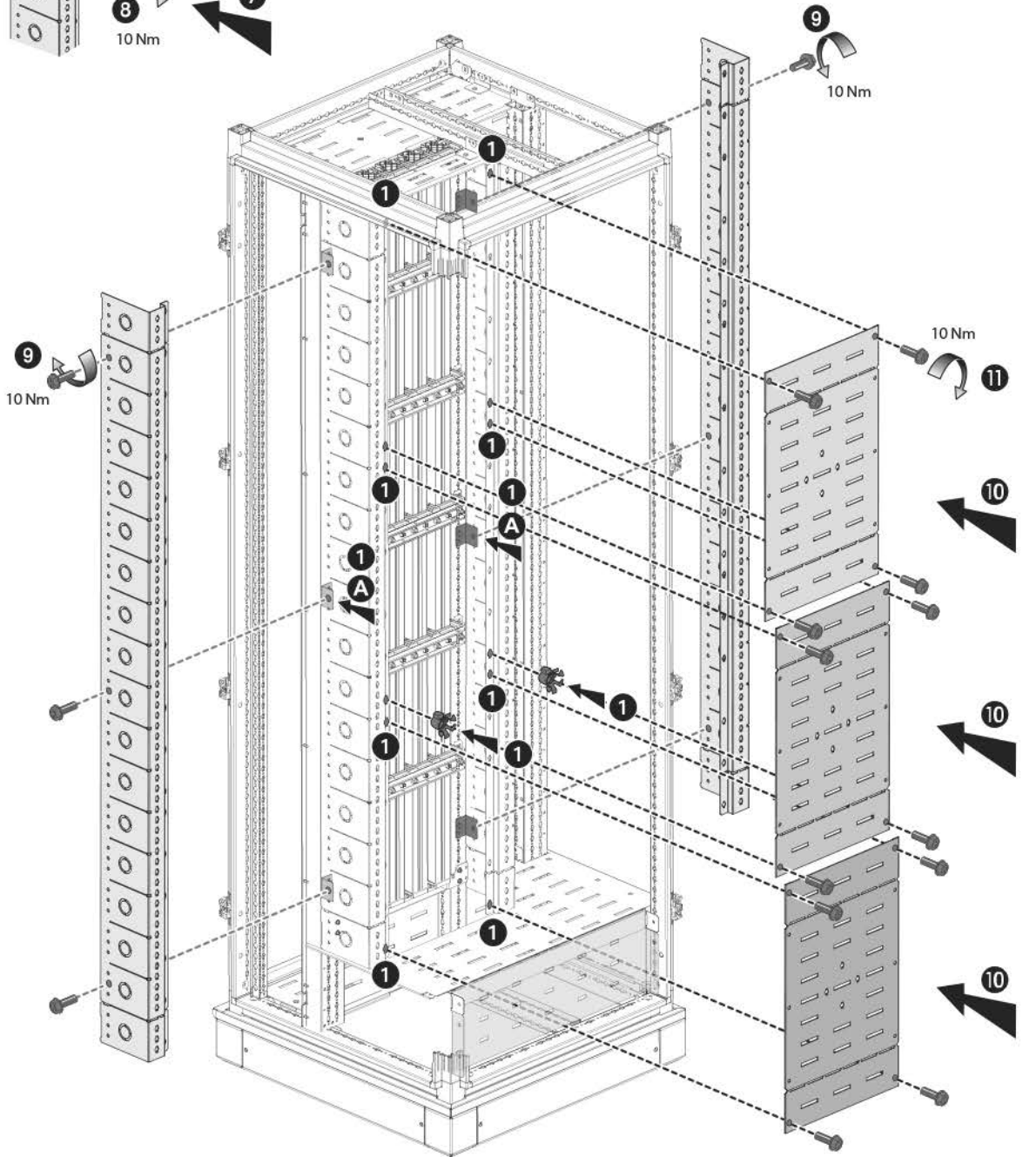
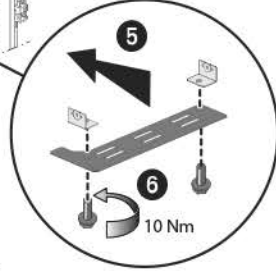
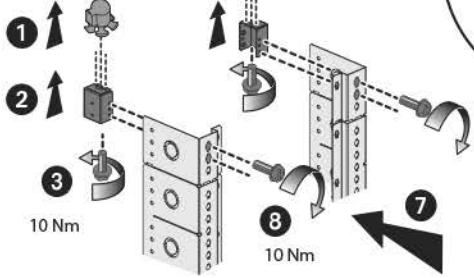
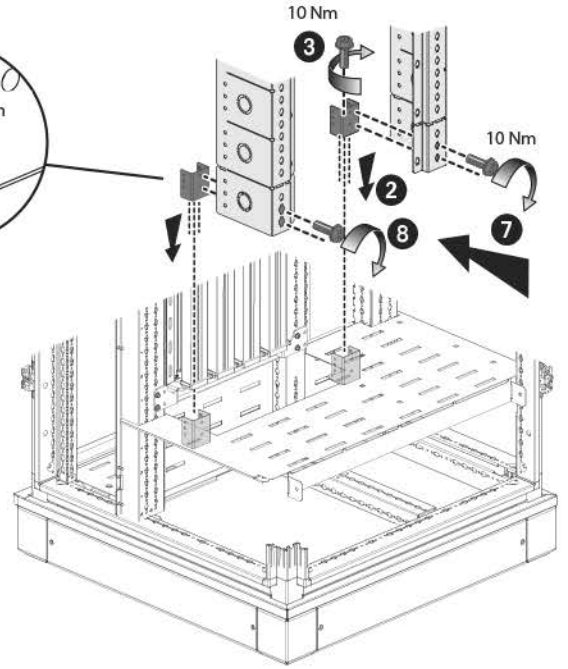
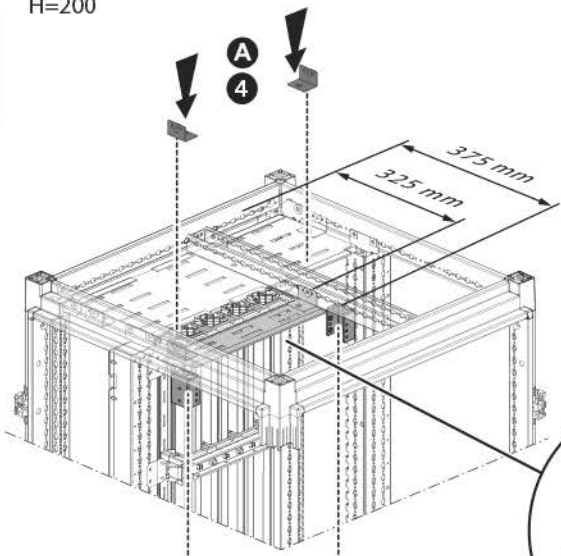
H=200

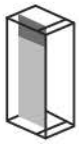




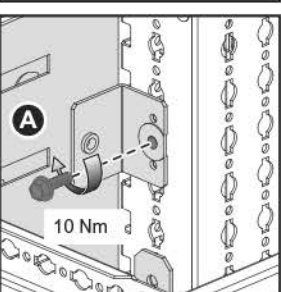
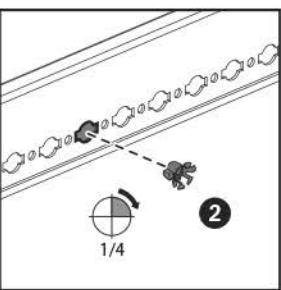
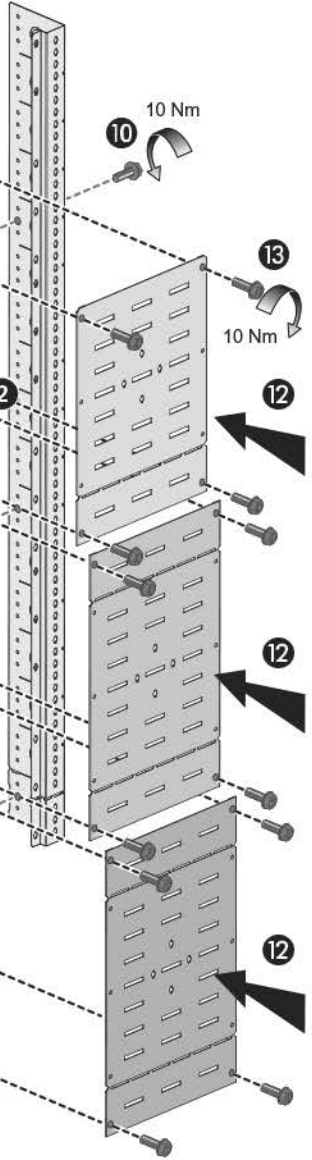
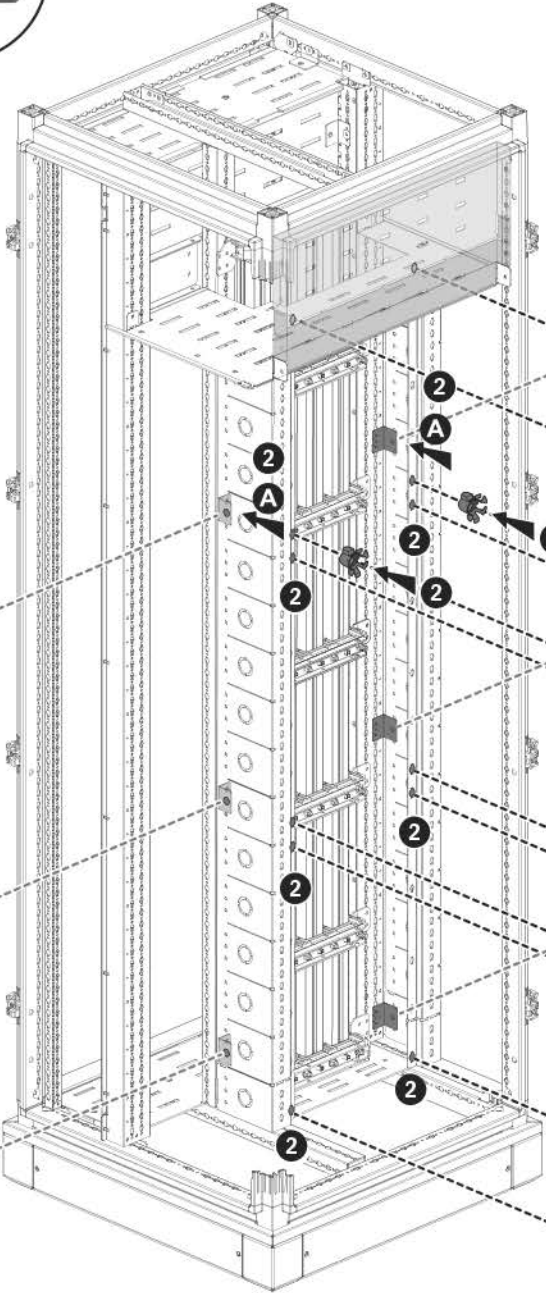
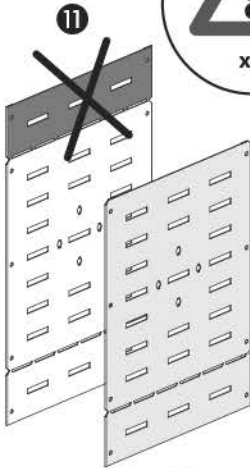
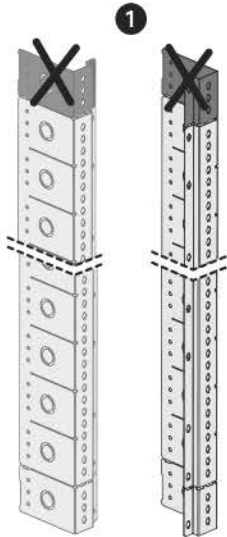
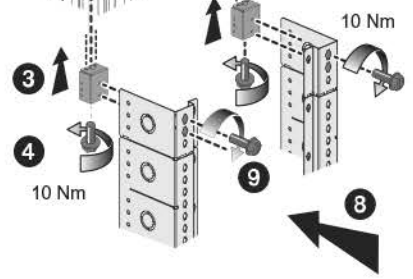
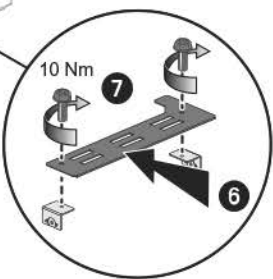
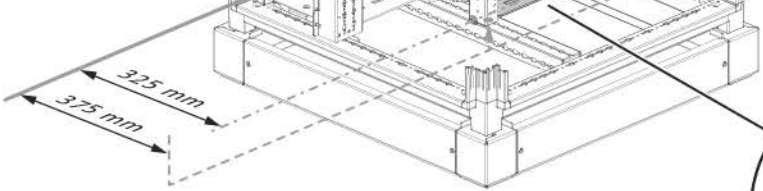
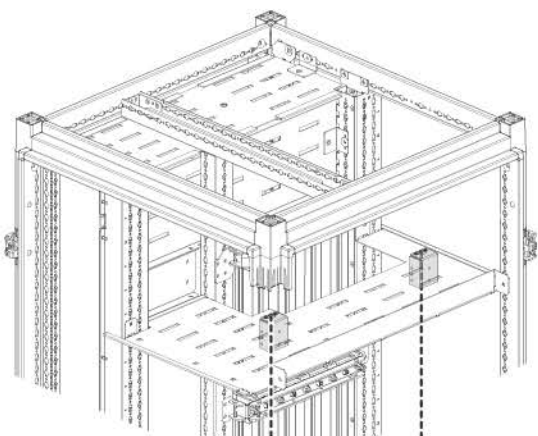
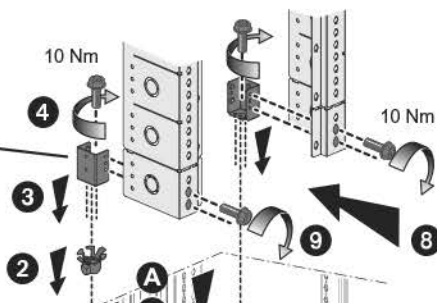
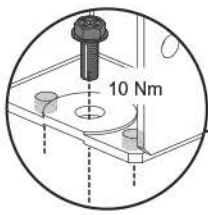


H=200

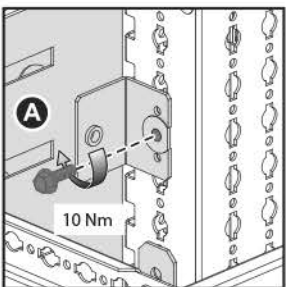
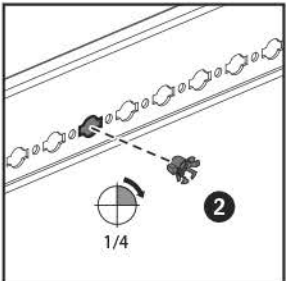
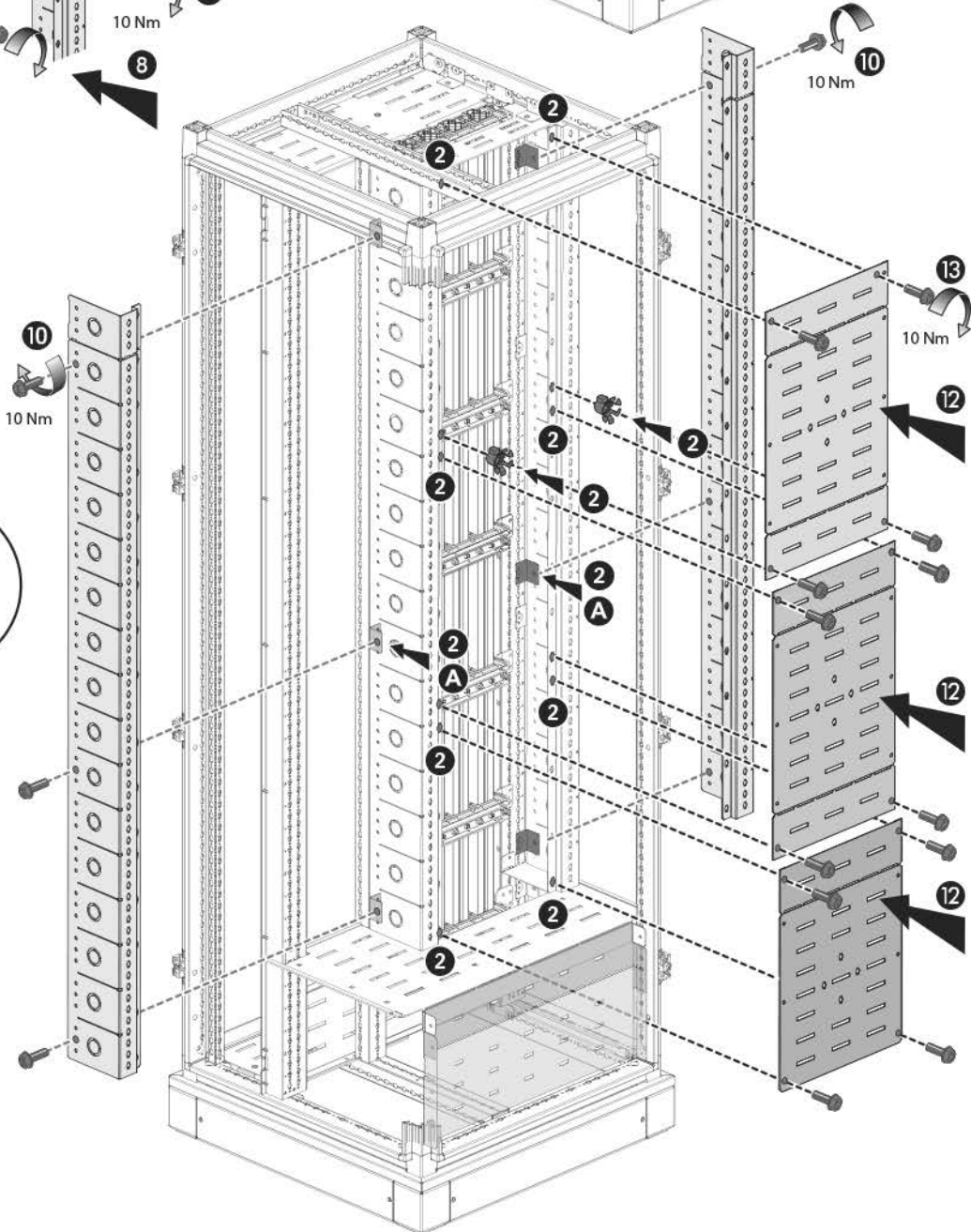
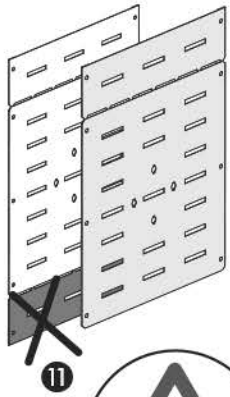
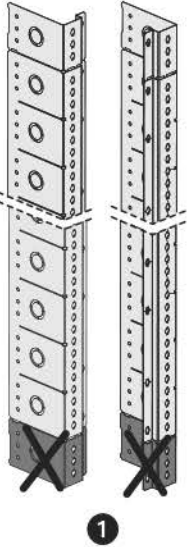
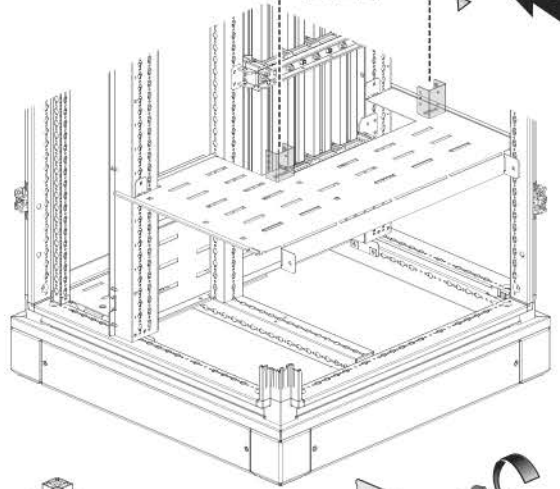
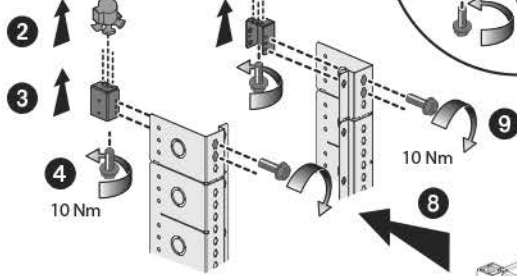
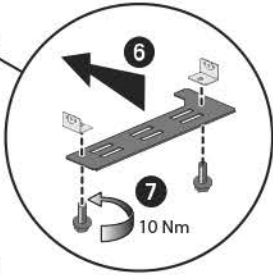
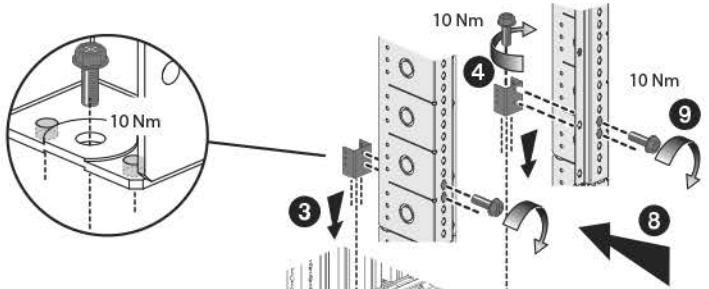
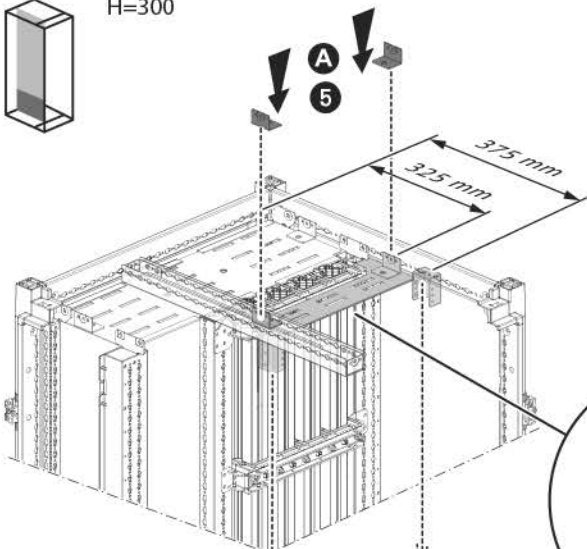
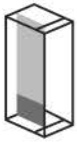


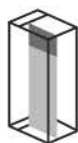


H=300

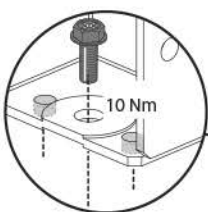


H=300

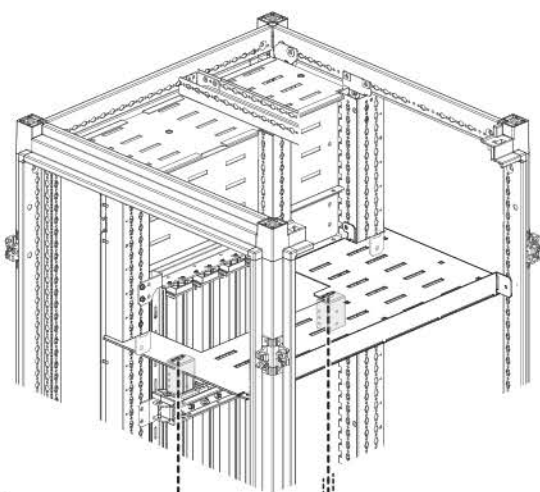
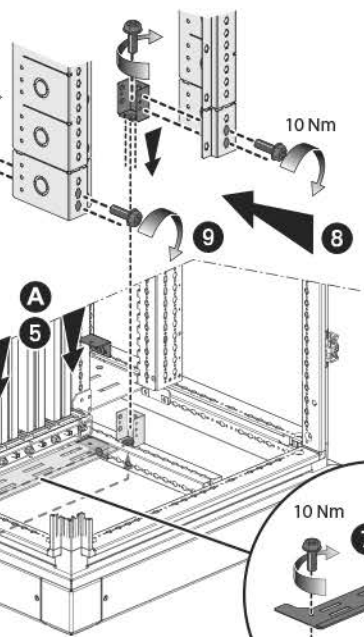




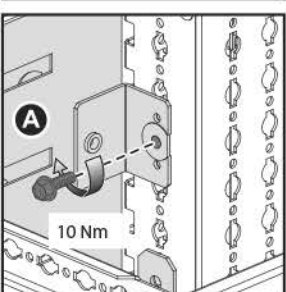
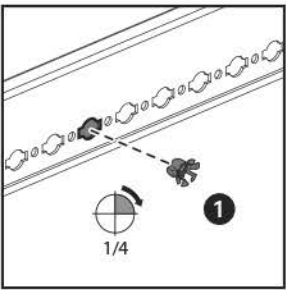
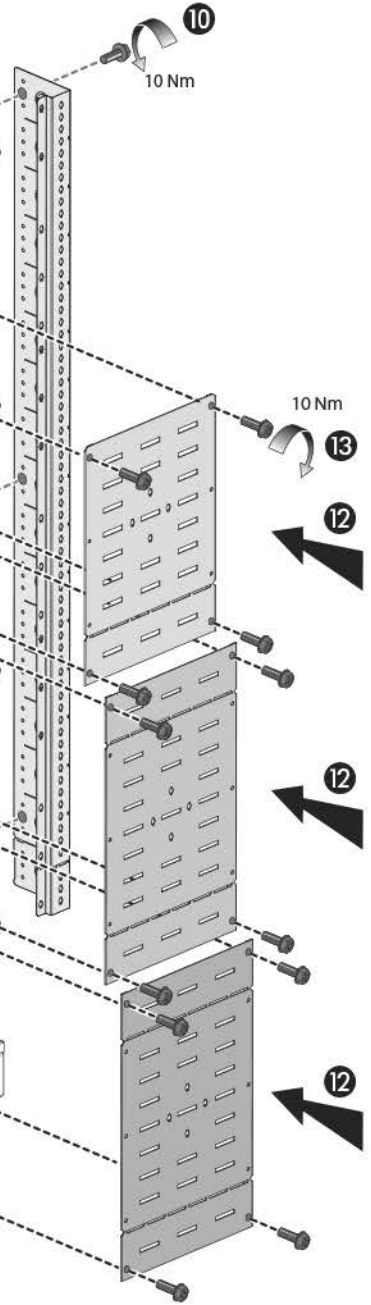
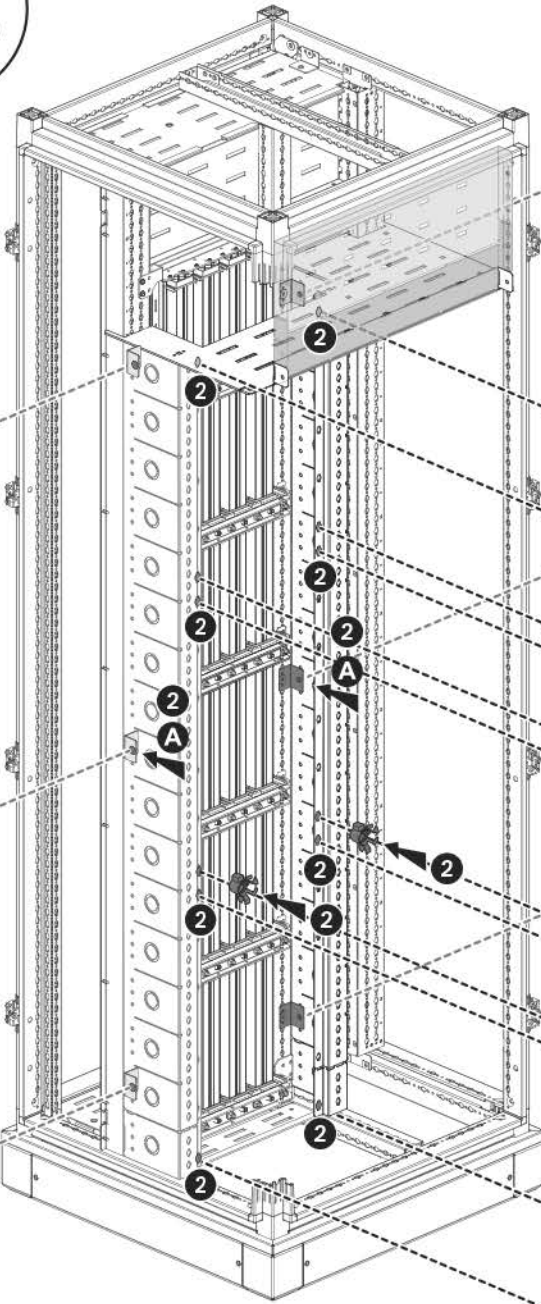
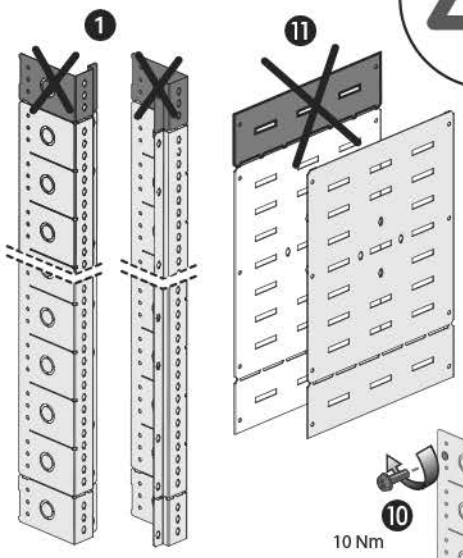
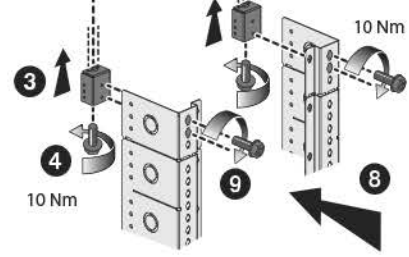
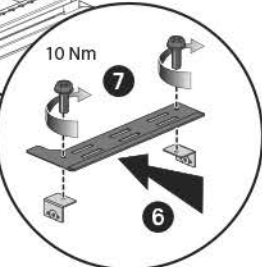
H=300



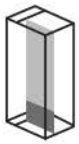
- 10 Nm
- 4
- 3
- 2



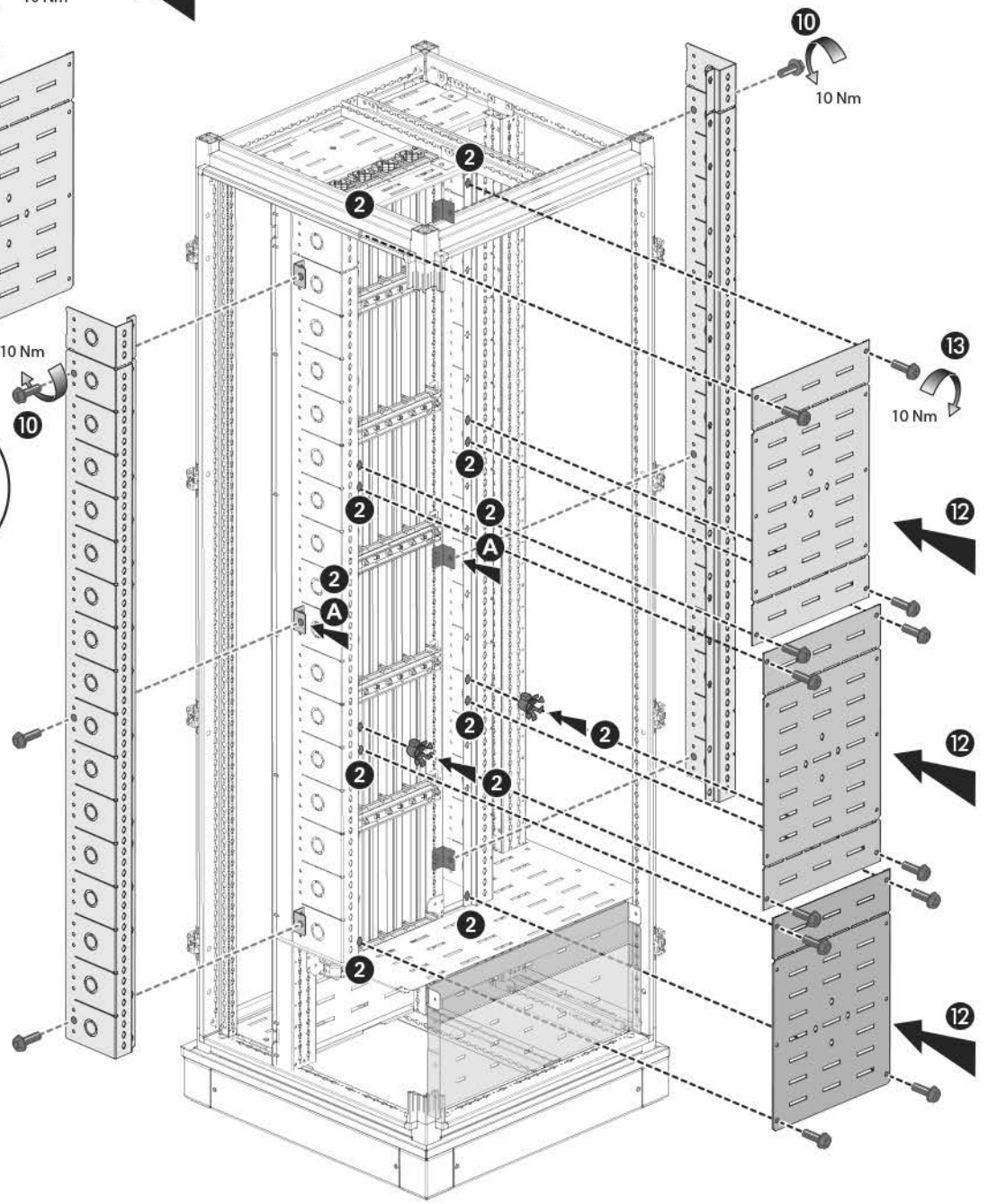
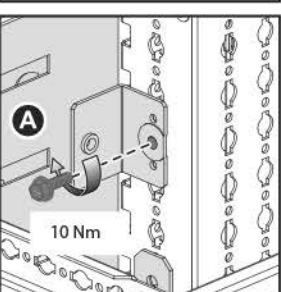
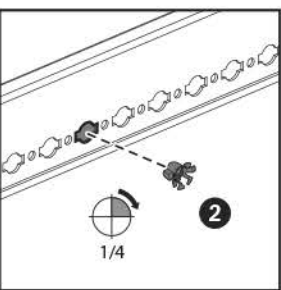
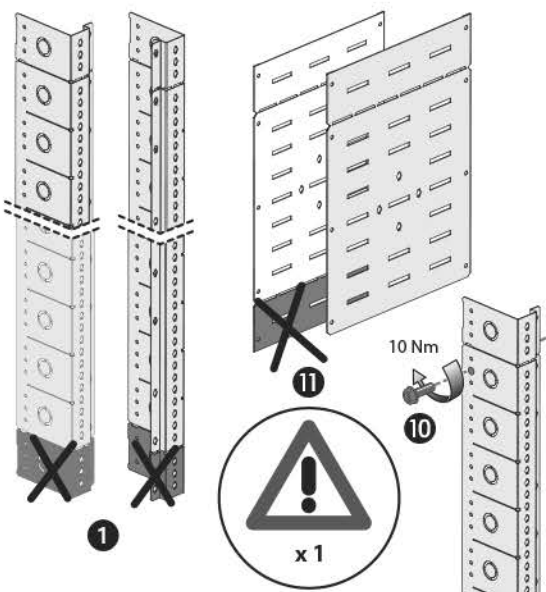
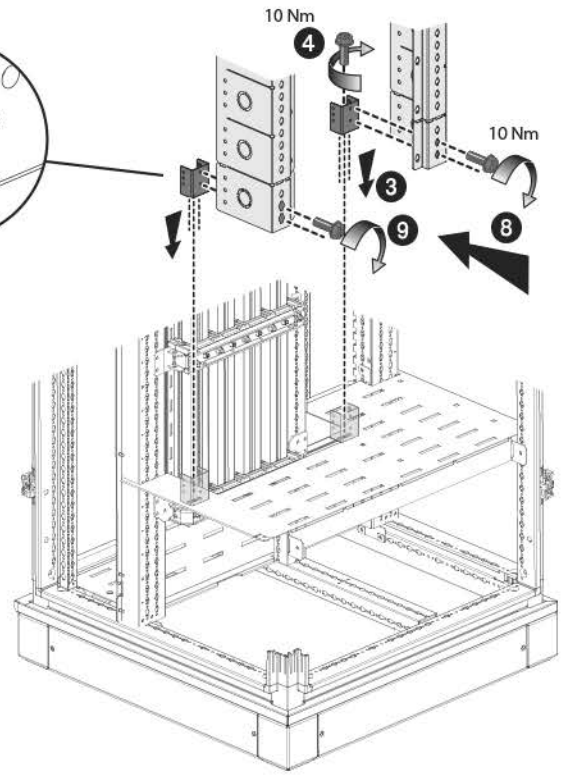
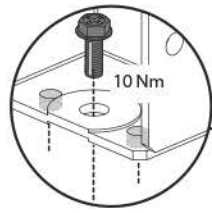
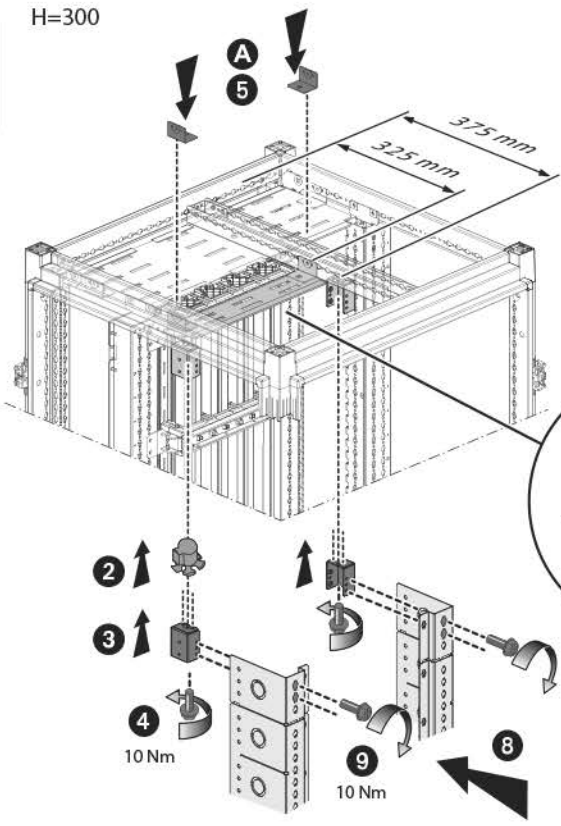
325 mm  
375 mm



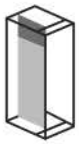




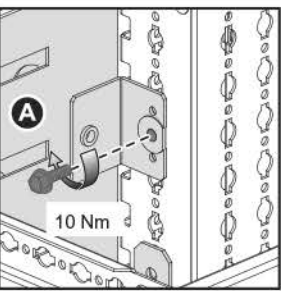
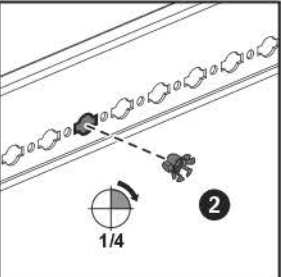
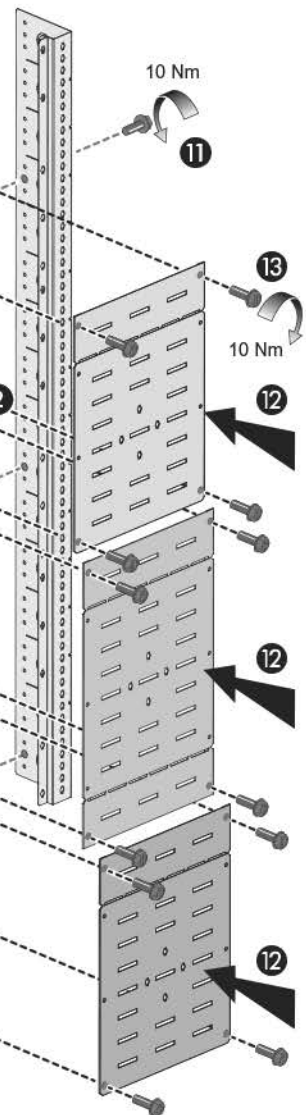
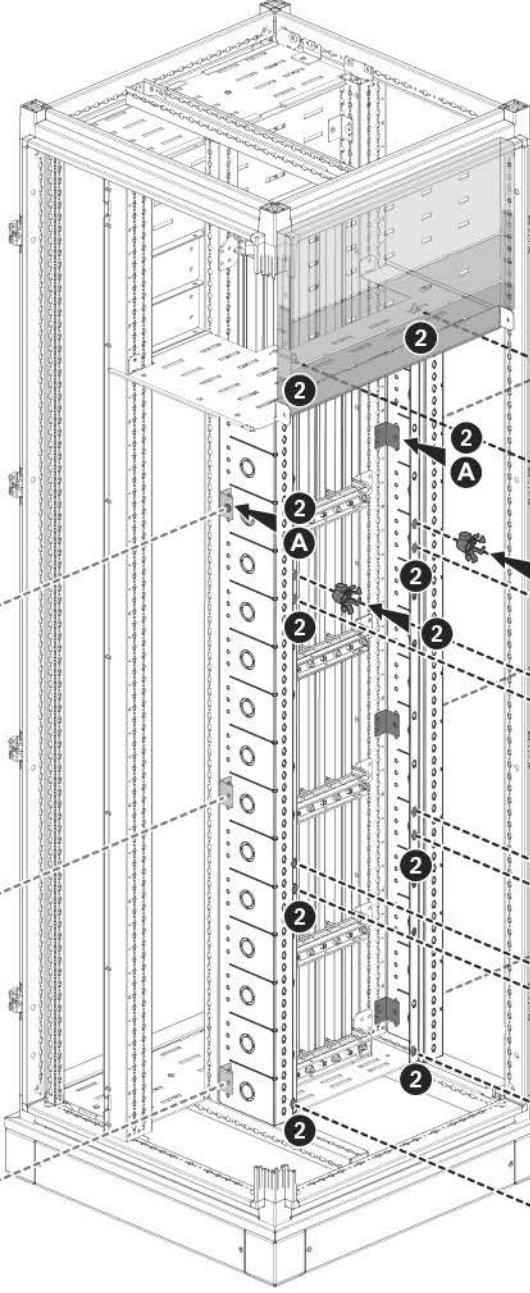
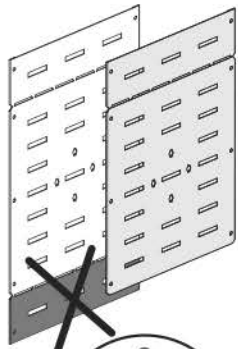
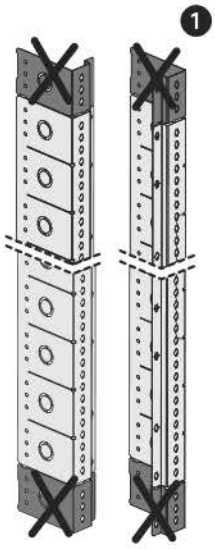
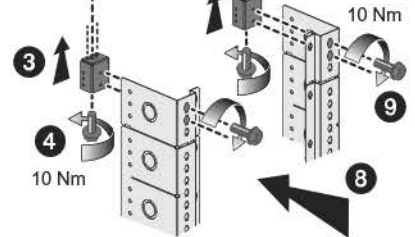
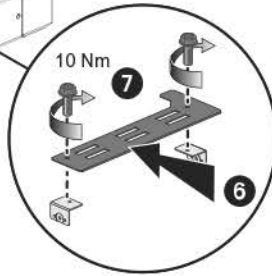
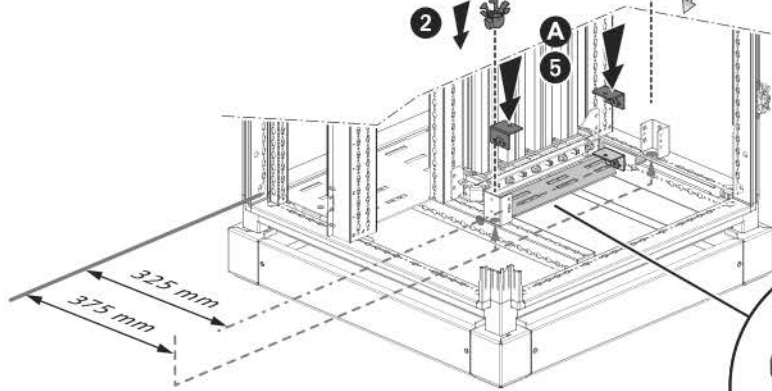
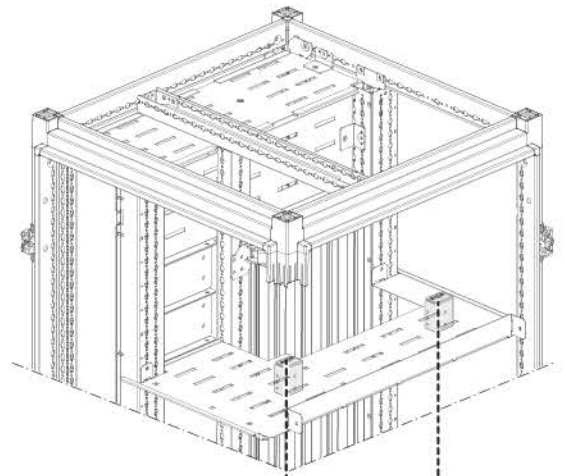
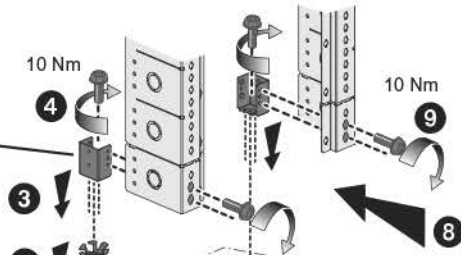
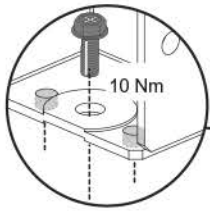
H=300



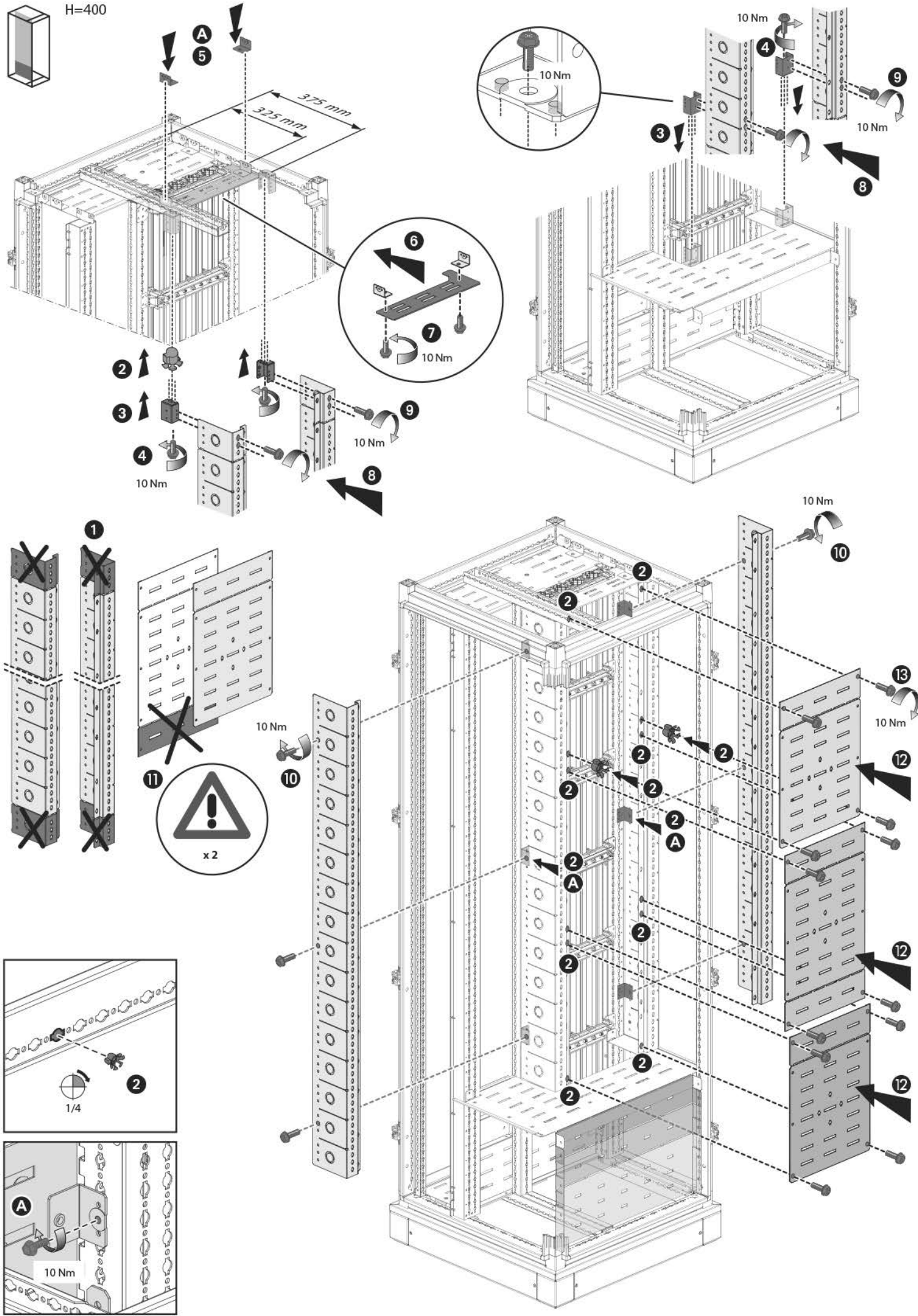




H=400

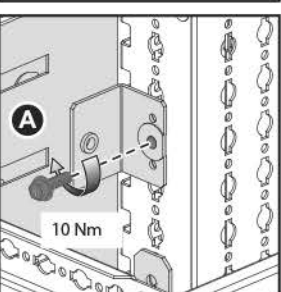
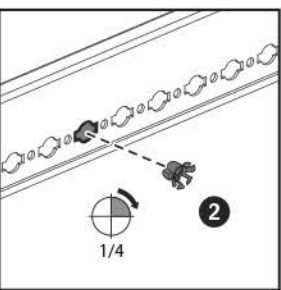
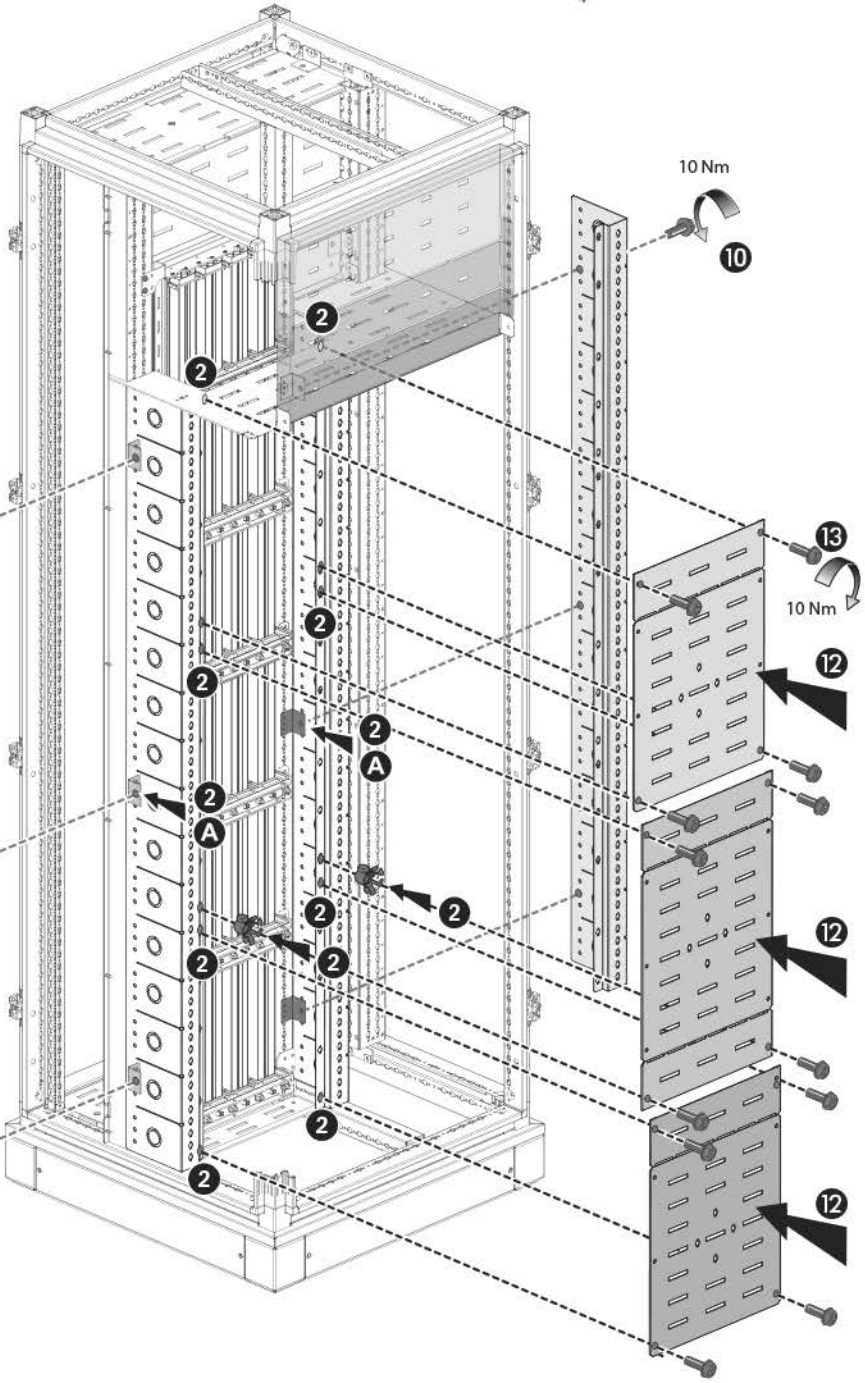
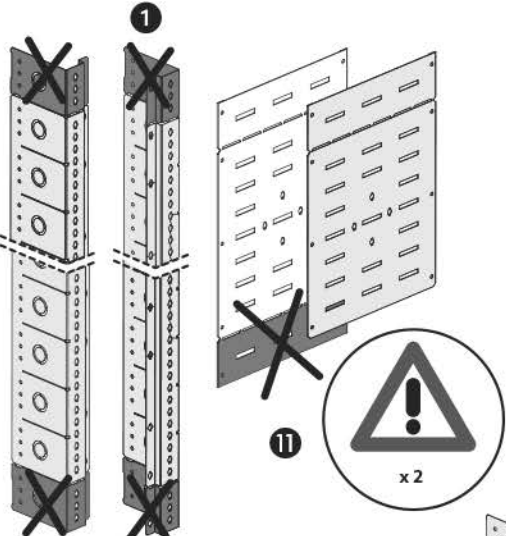
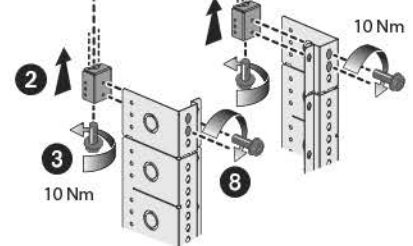
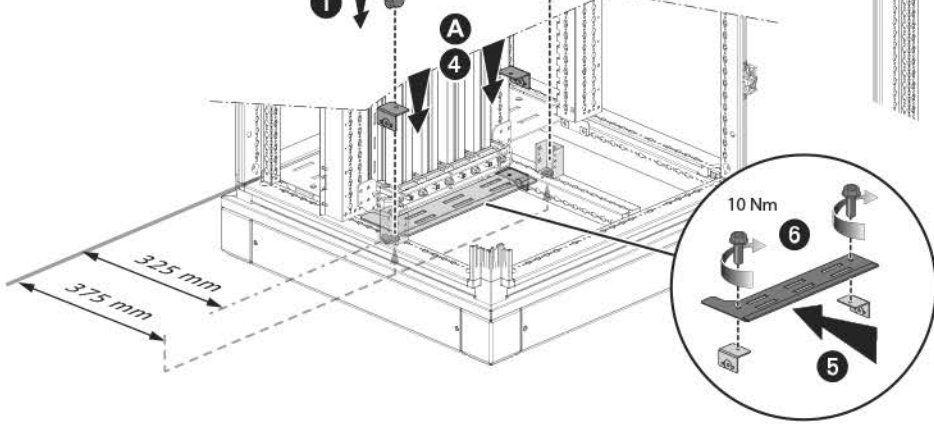
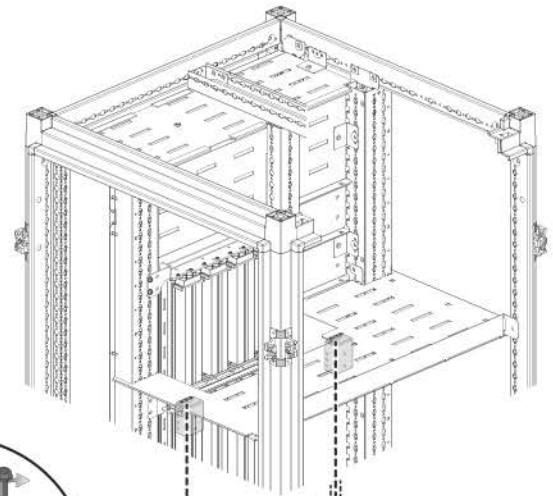
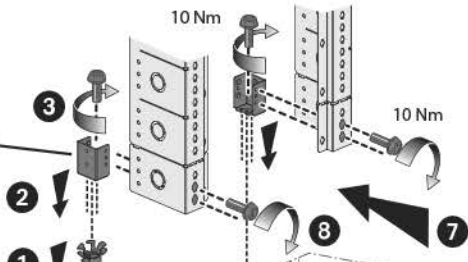
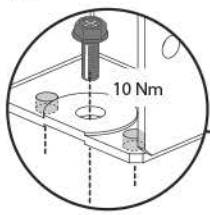


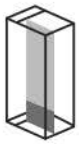
H=400



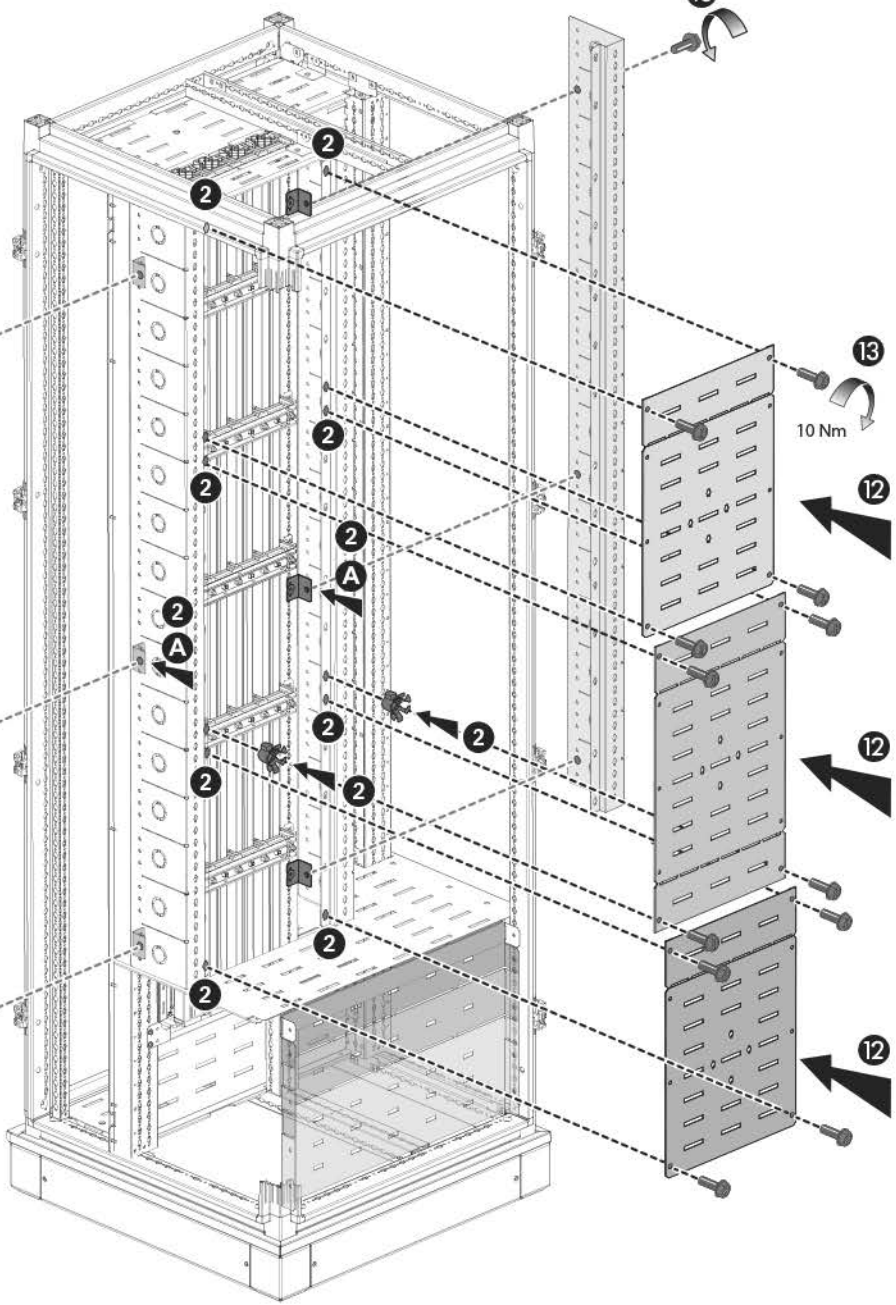
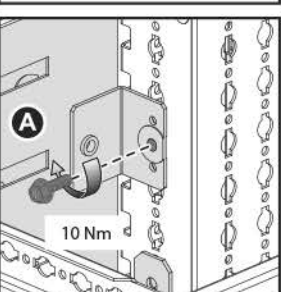
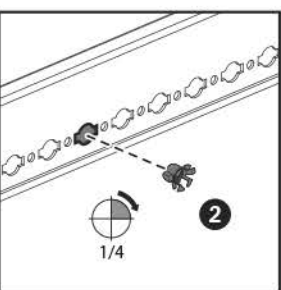
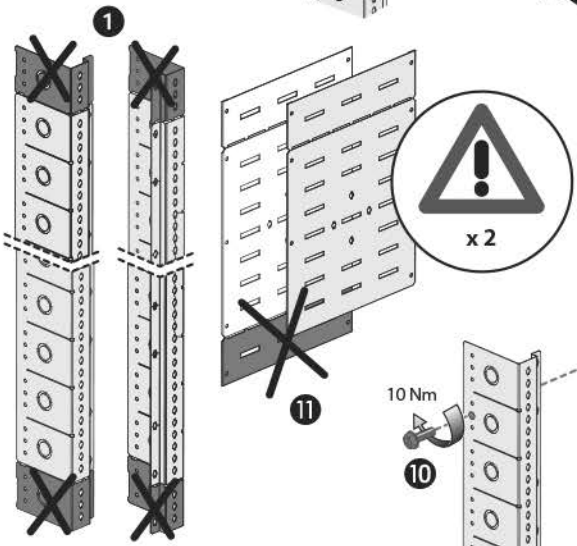
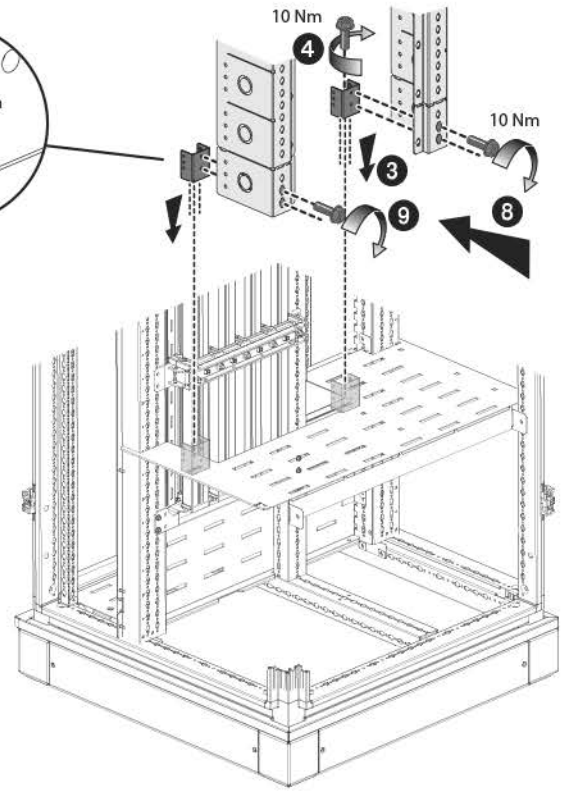
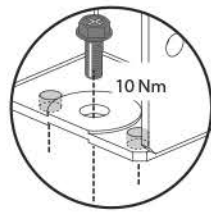
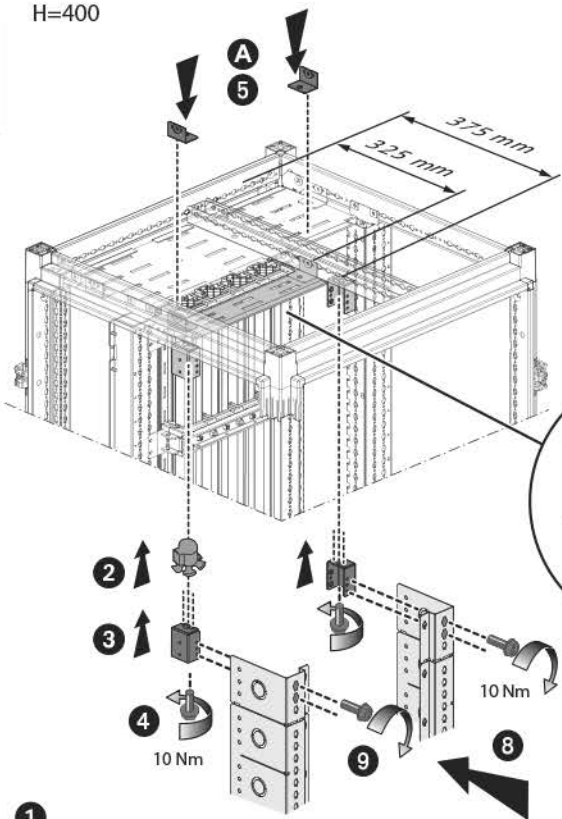


H=400

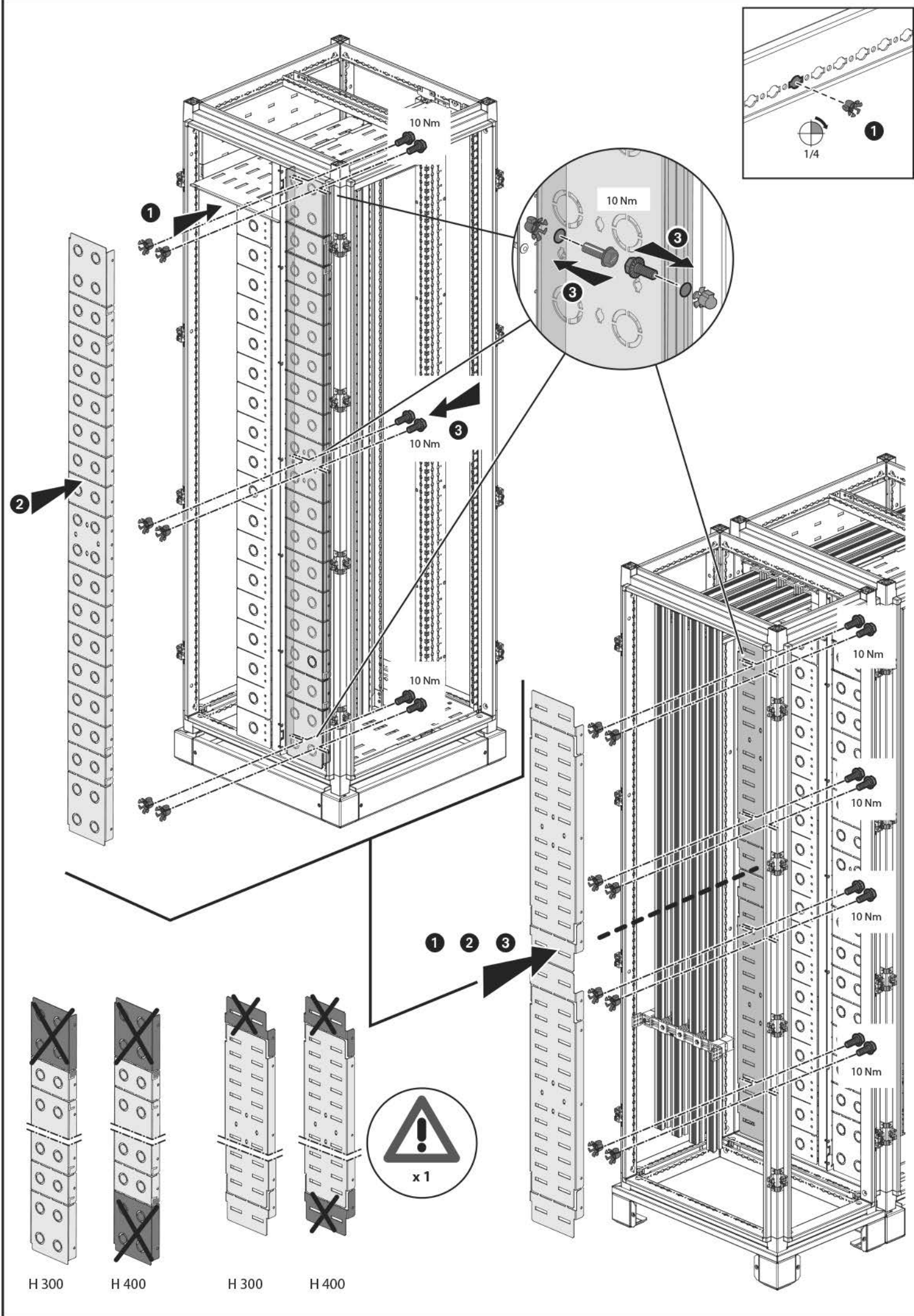




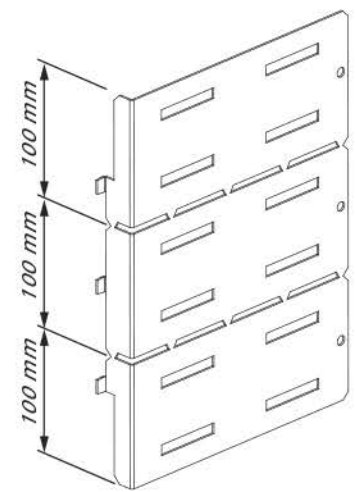
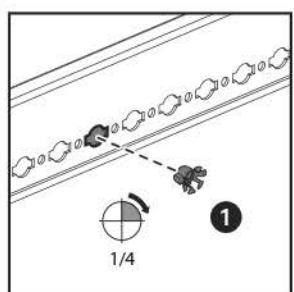
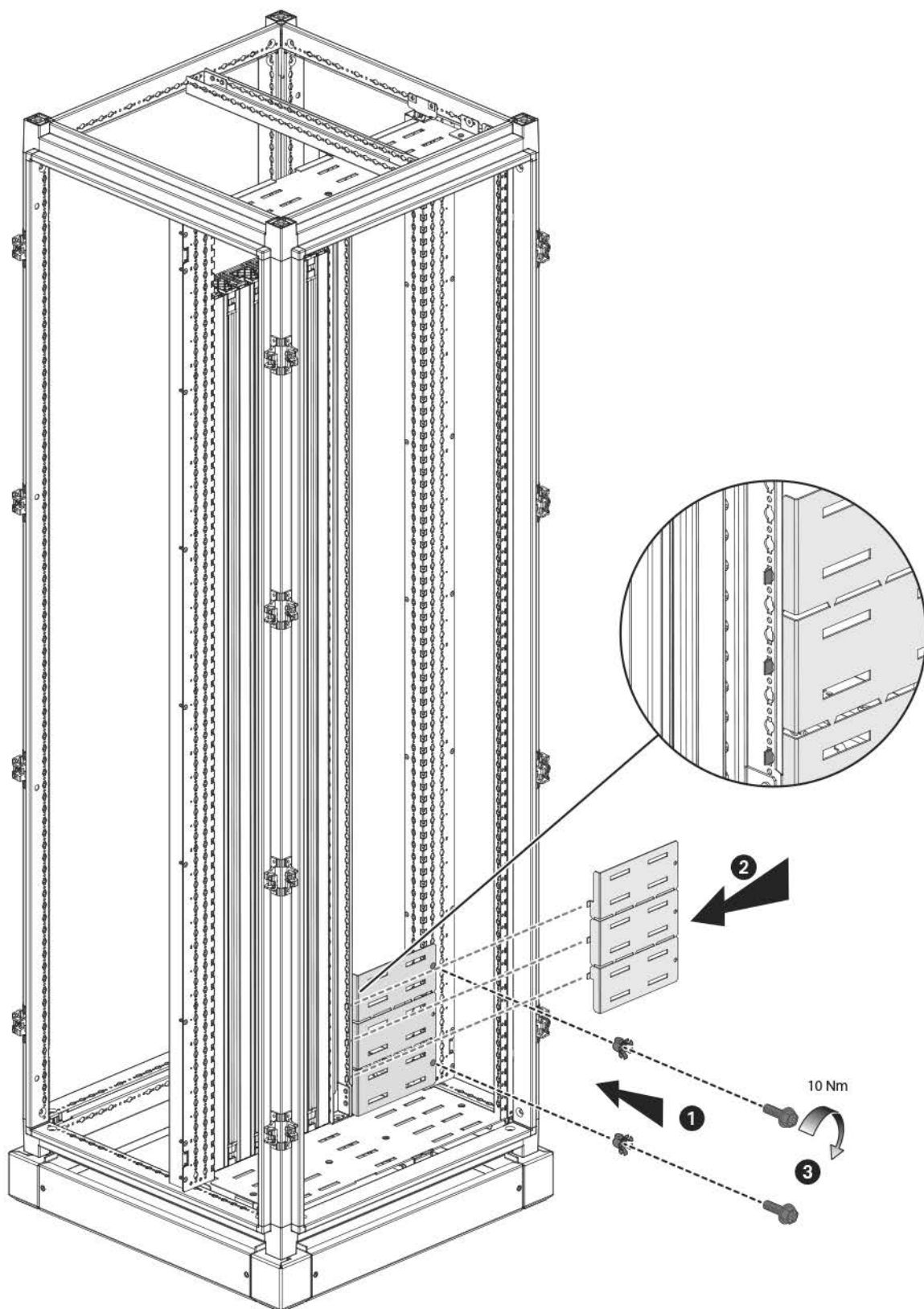
H=400





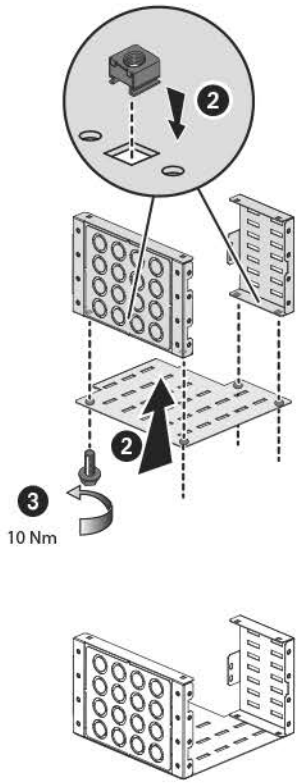




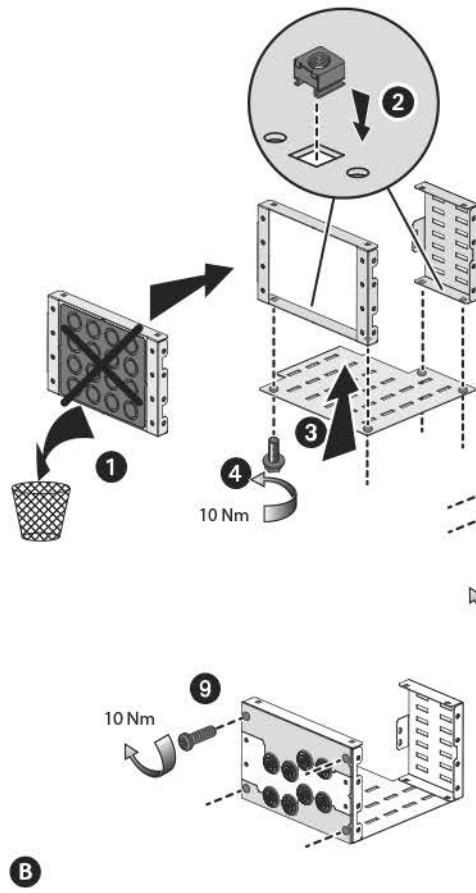




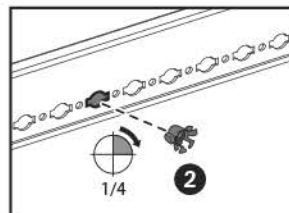
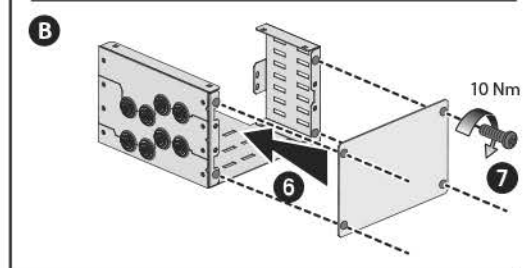
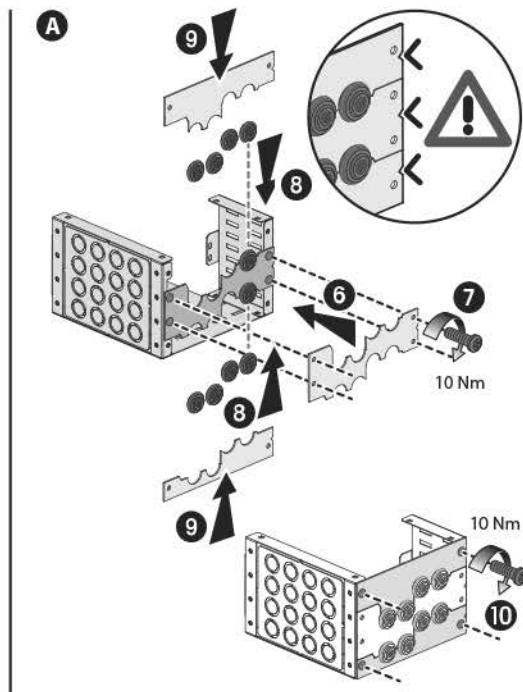
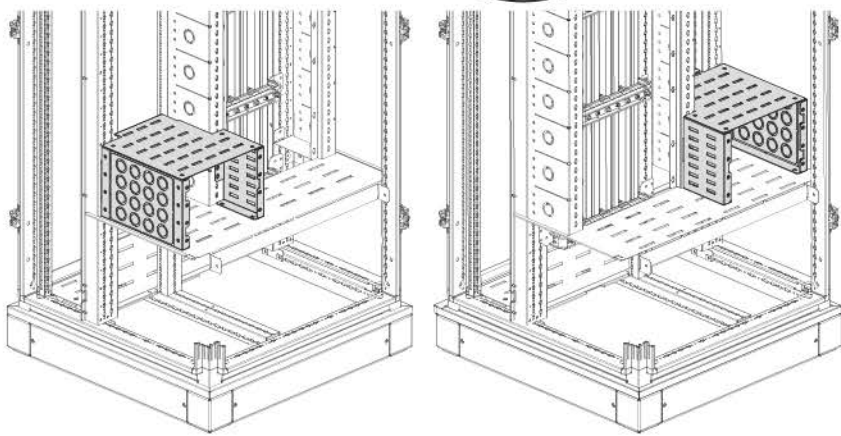
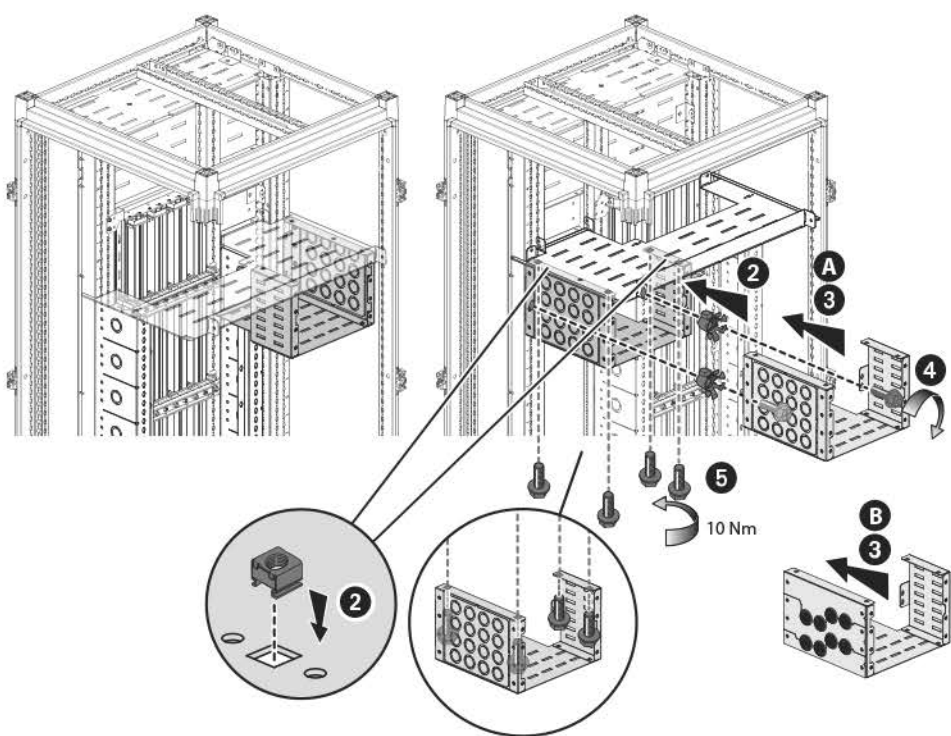
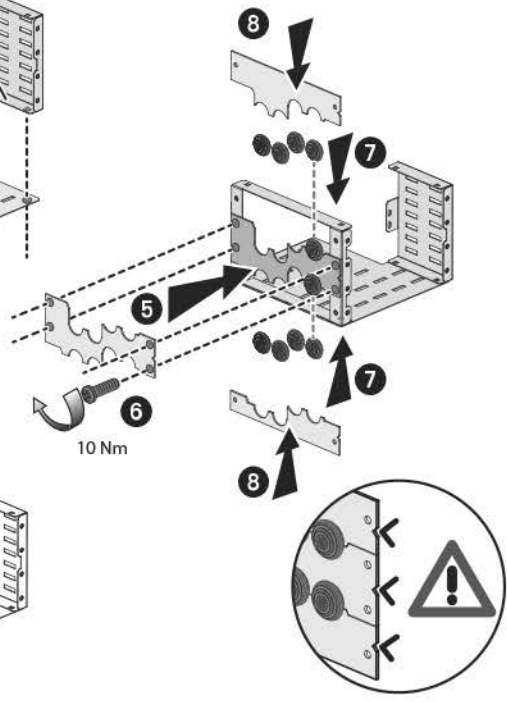
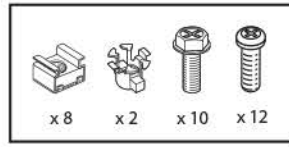
725



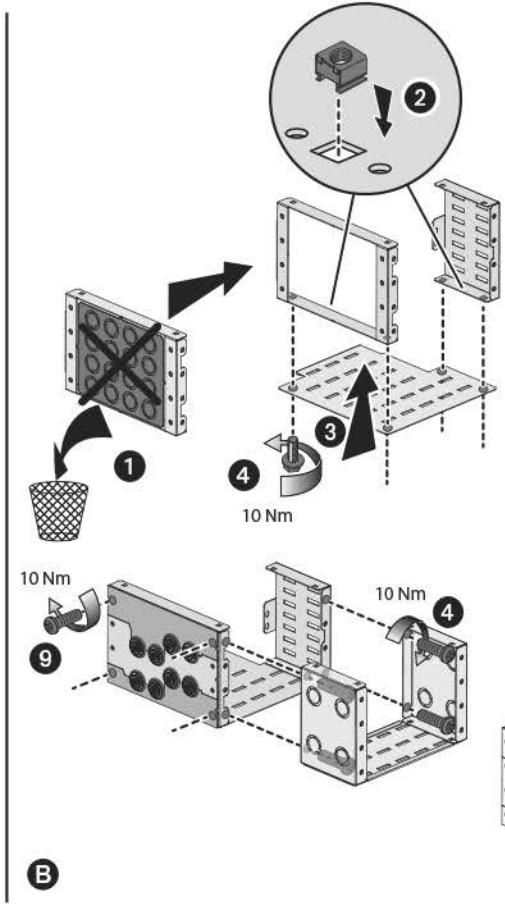
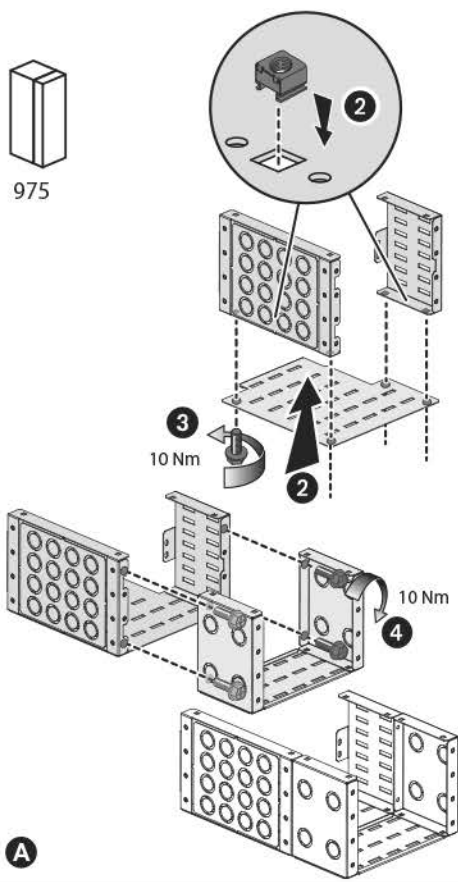
A



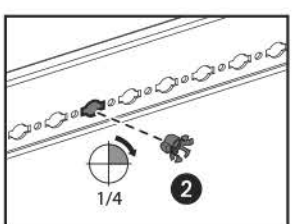
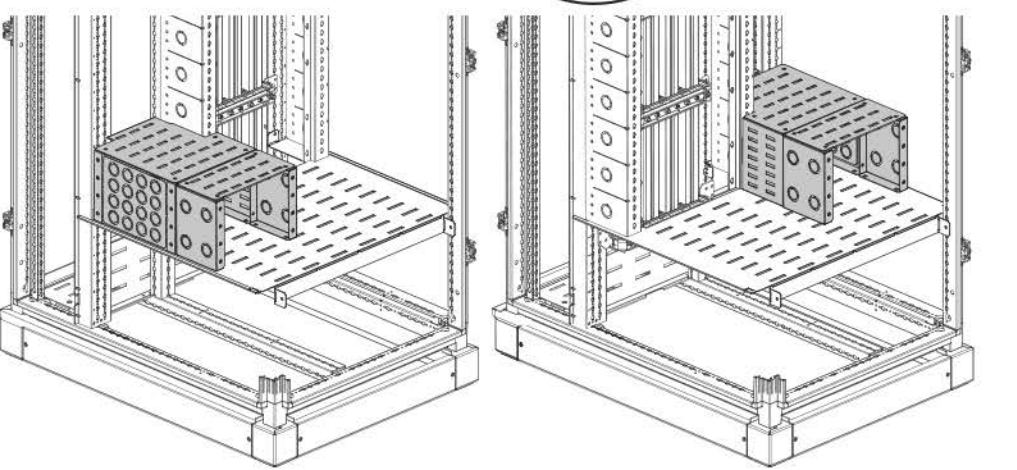
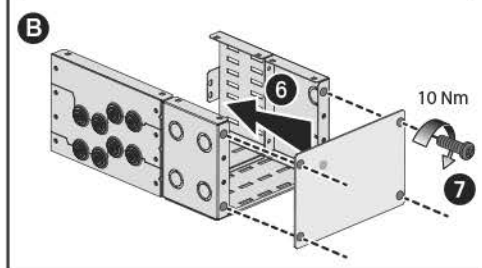
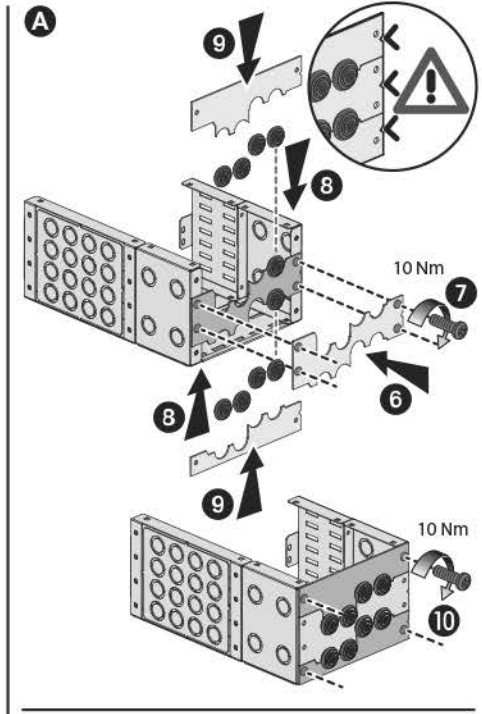
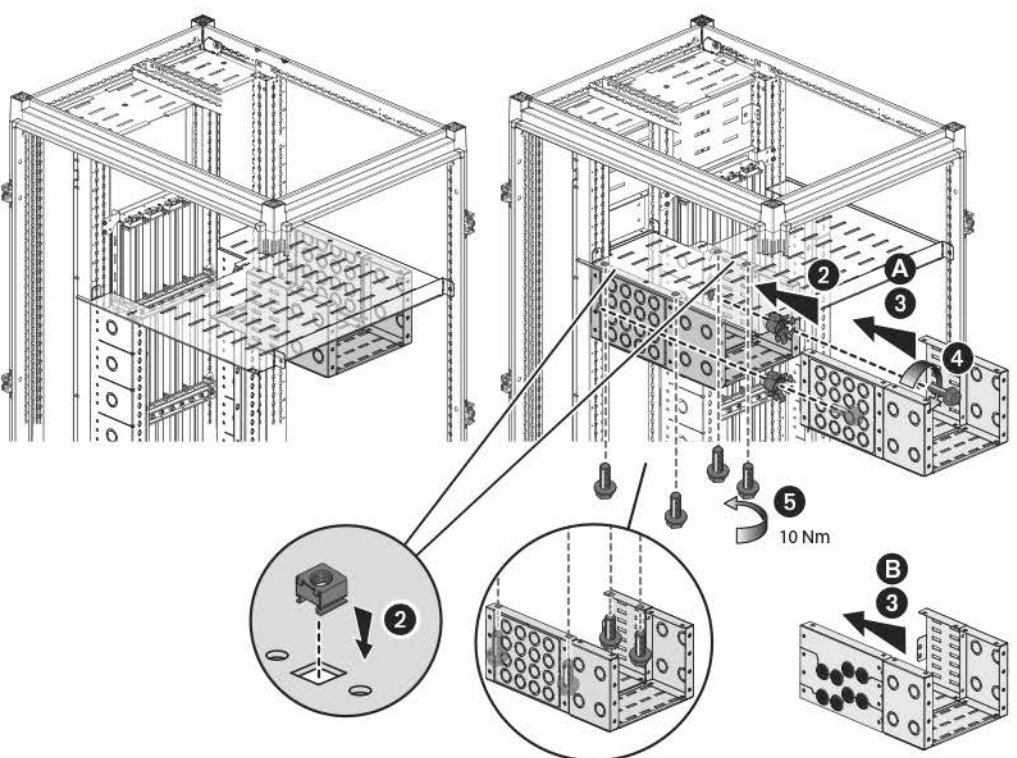
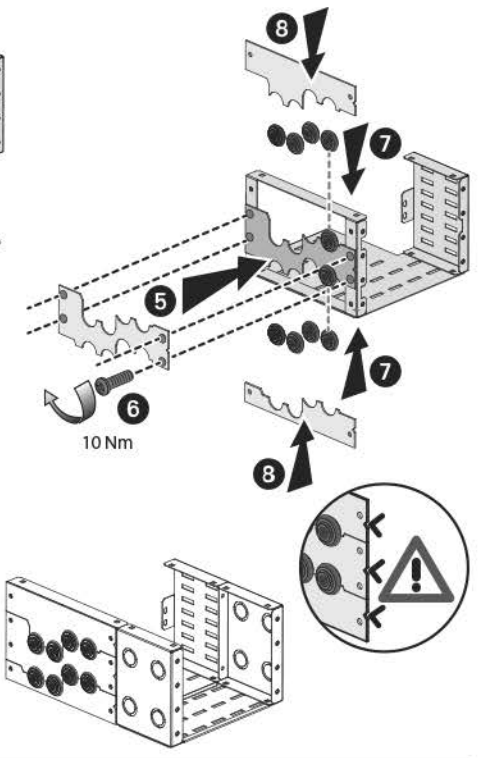
B

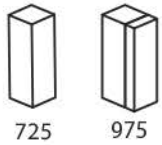


975

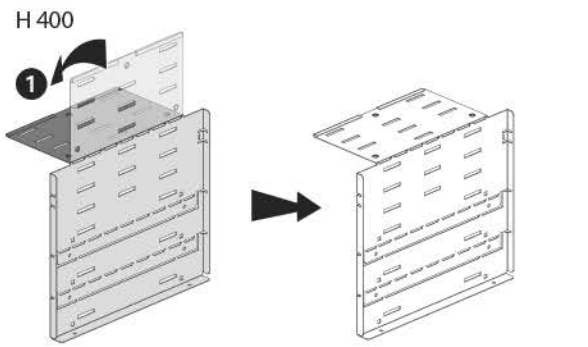
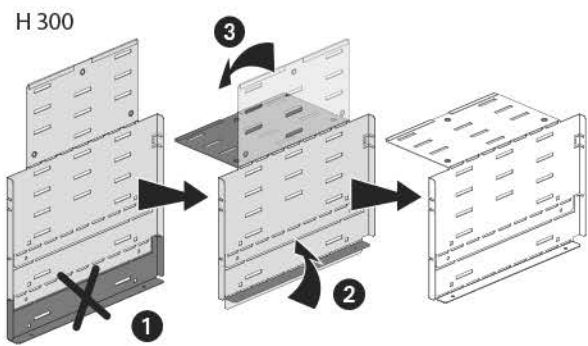
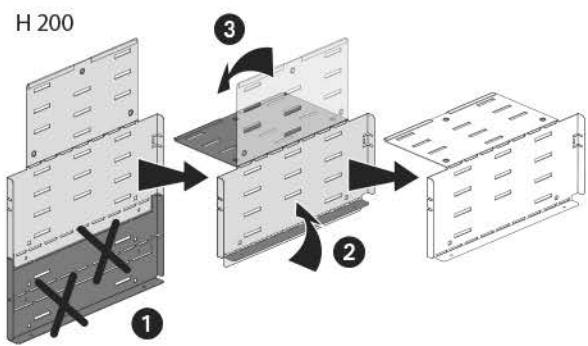
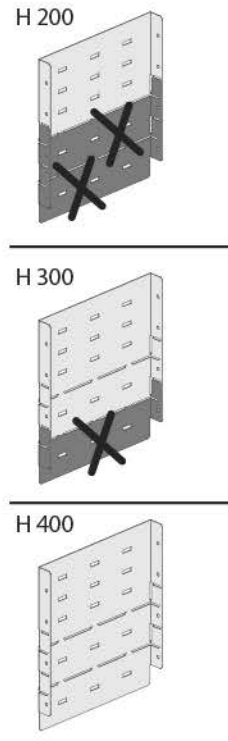


- x 8
- x 2
- x 10
- x 16

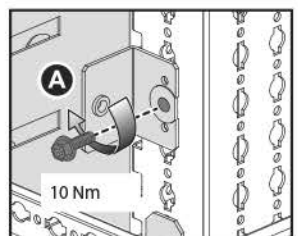
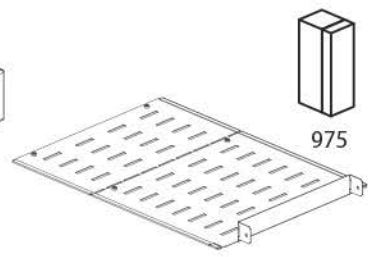
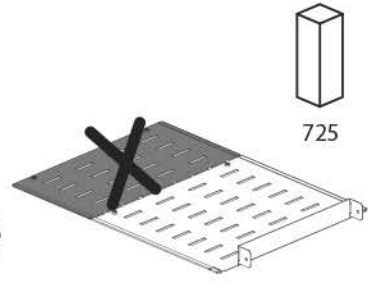




- x 3
- x 2
- x 10
- x 10
- x 5

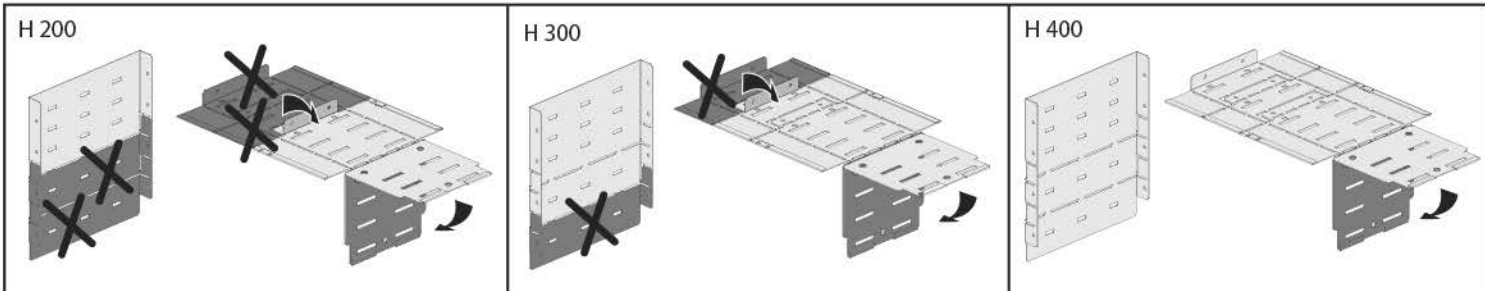
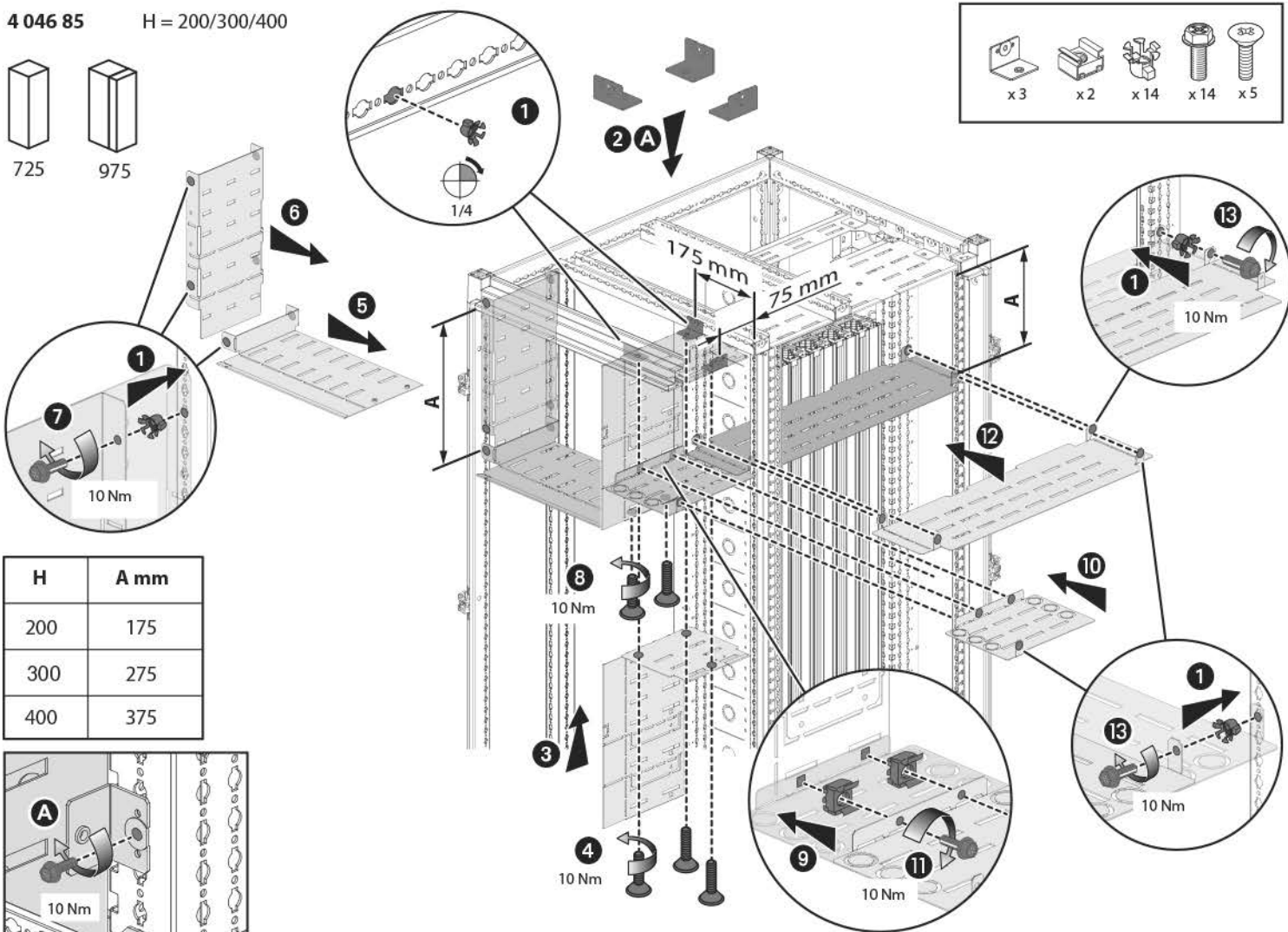
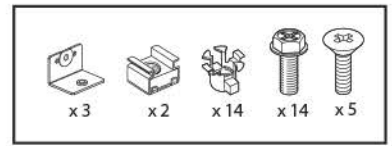
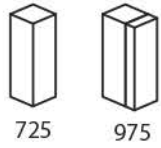


H	A mm
200	175
300	275
400	375





4 046 85 H = 200/300/400



		IS 223/233	IS 333			
725						
975		IS 223/233 - GAC	IS 223/233 - GAC			