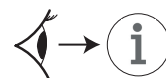
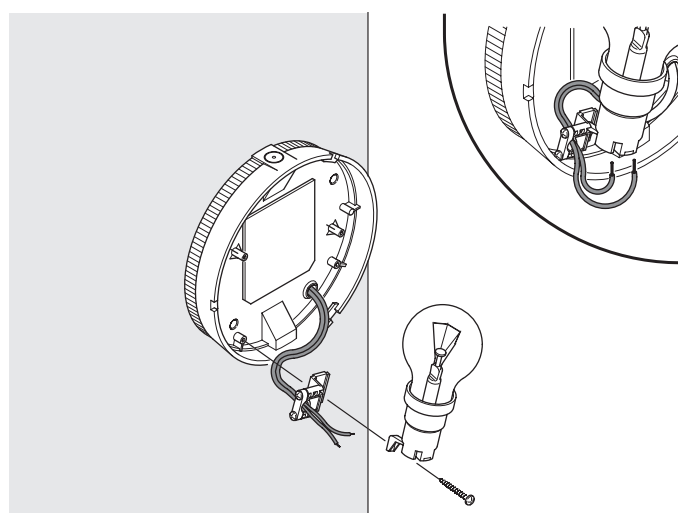
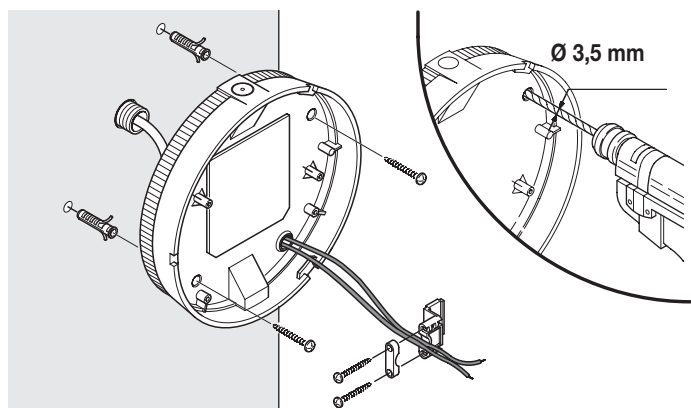
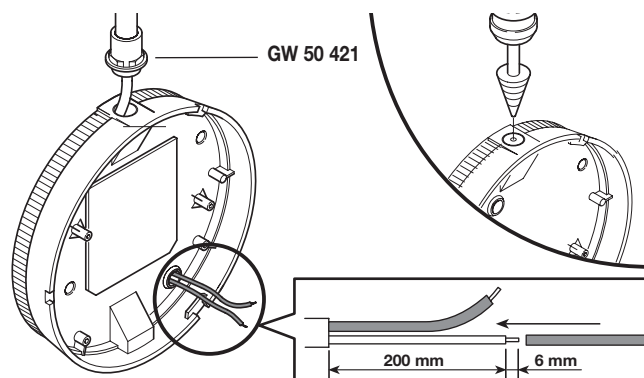
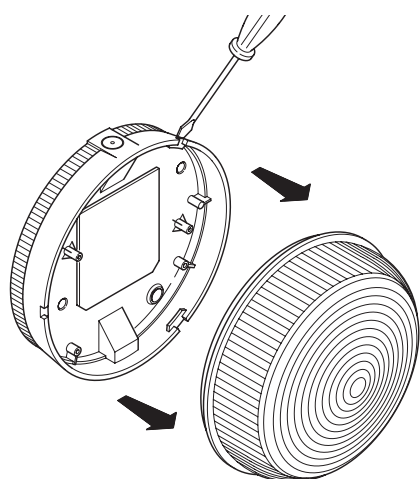
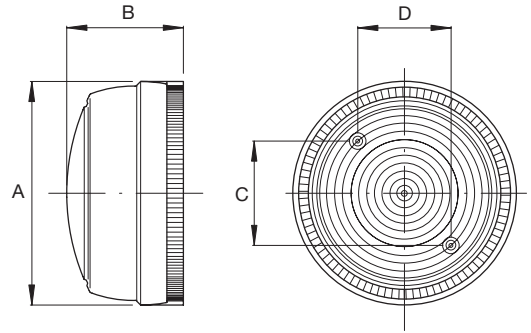
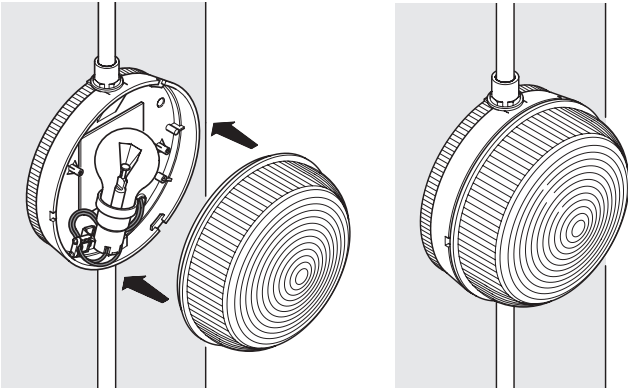
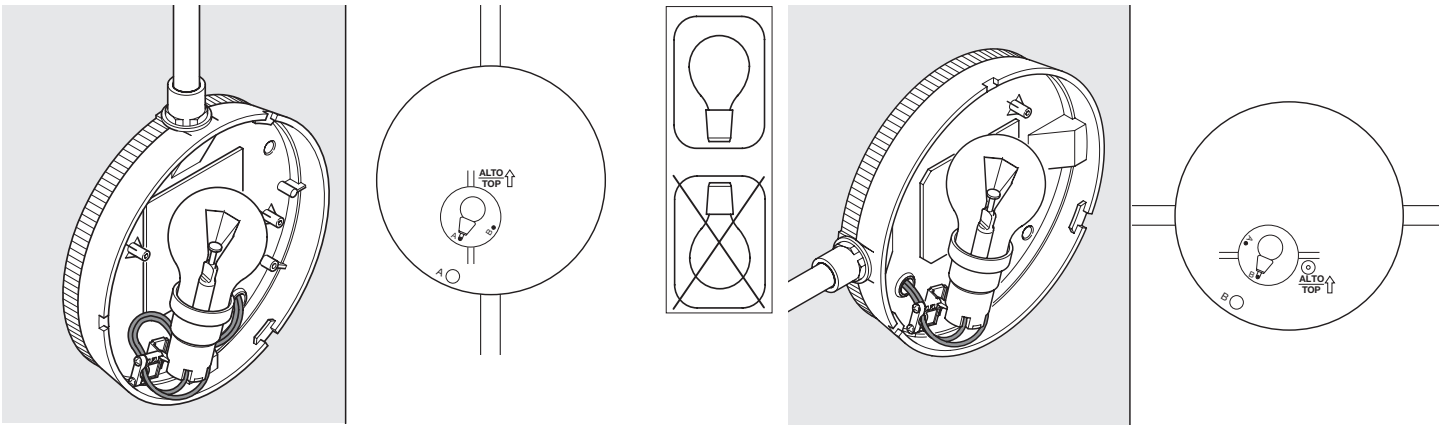




**MAX 60-100W E27**



**IP44**





	W	A	B	C	D	
	60	180	105	107	96	0,3
E27	100	230	120	164	95	0,4

Punto di contatto indicato in adempimento ai fini delle direttive e regolamenti UE applicabili:  
 Contact details according to the relevant European Directives and Regulations:  
 GEWISS S.p.A. Via D.Bosatelli, 1 IT-24069 Cenate Sotto (BG) Italy tel: +39 035 946 111 E-mail: qualitymarks@gewiss.com

According to applicable UK regulations, the company responsible for placing the goods in UK market is:  
 GEWISS UK LTD - Unity House, Compass Point Business Park, 9 Stocks Bridge Way, ST IVES  
 Cambridgeshire, PE27 5JL, United Kingdom tel: +44 1954 712757 E-mail: gewiss-uk@gewiss.com

 **+39 035 946 111**  
 8:30 - 12:30 / 14:00 - 18:00  
 lunedì - venerdì / monday - friday

 [www.gewiss.com](http://www.gewiss.com)

