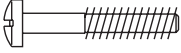

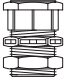
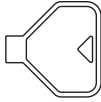
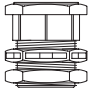

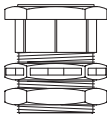


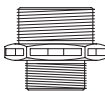



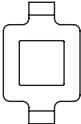
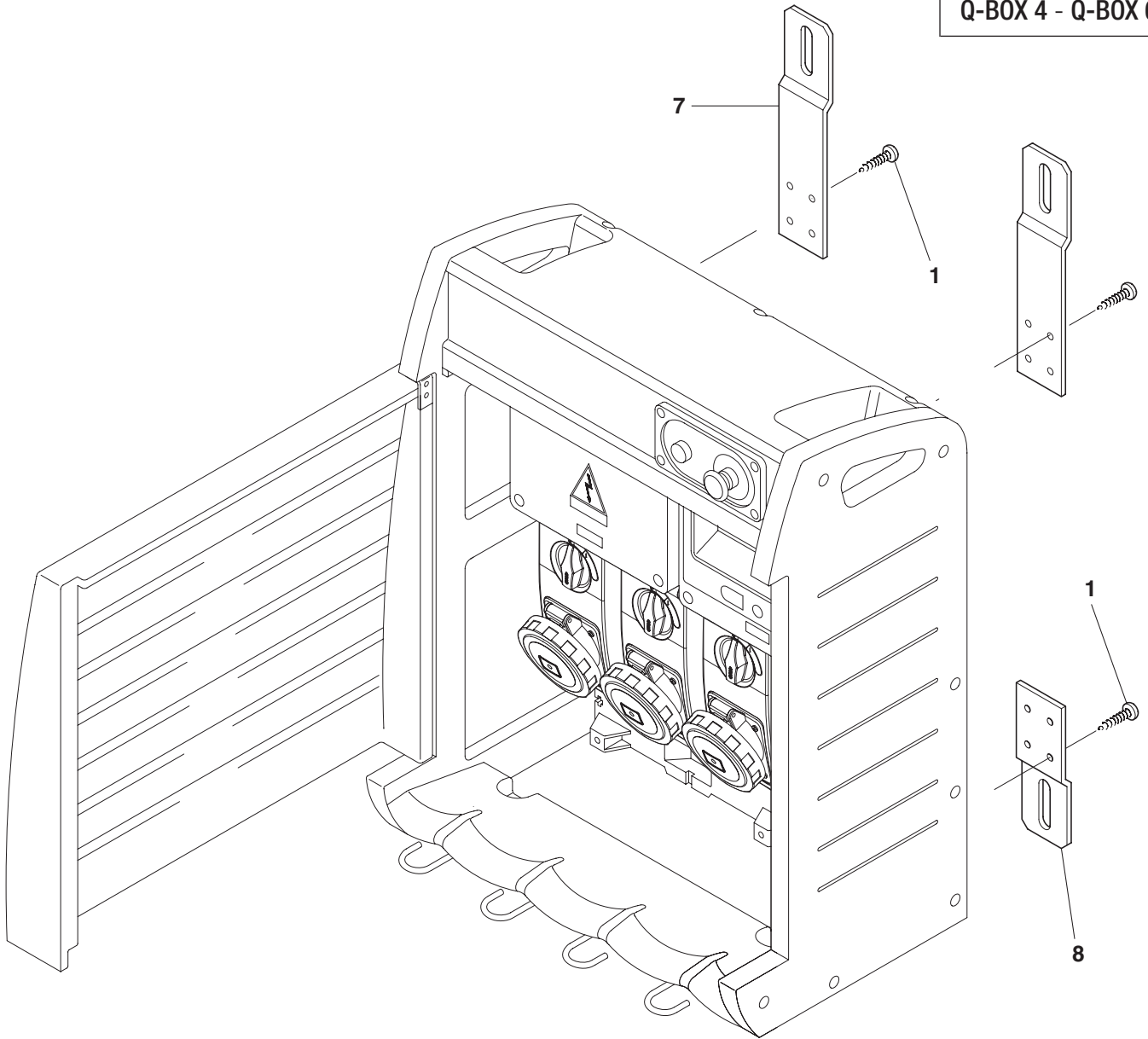




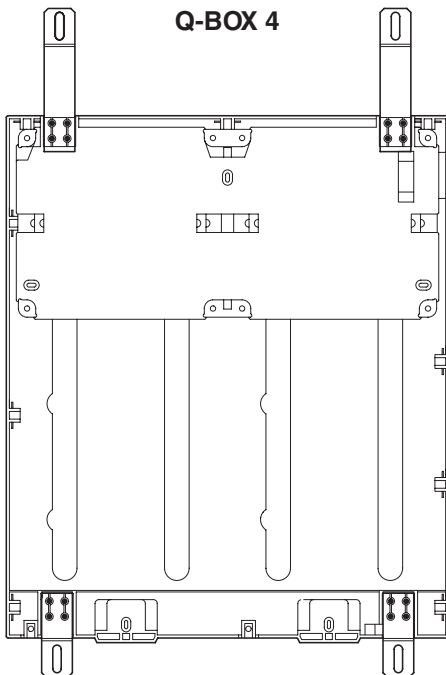
1	5X26 	16	8		2
2	PG21 	1	9		2
3	PG29 	1	10	PG36 	1
4	PG36 	1	11	PG36 	1
5		1	12	PG29/36 	1
6	4X32 	2	13		1
7		2	14		4



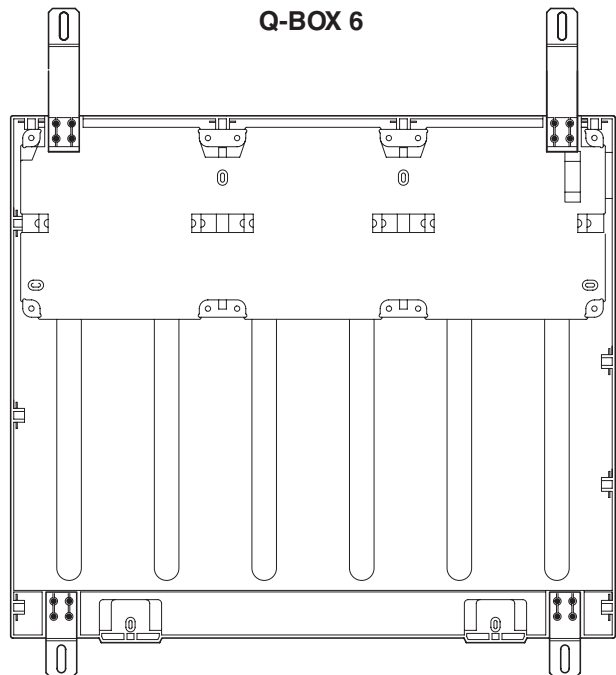
Q-BOX 4 - Q-BOX 6



Q-BOX 4

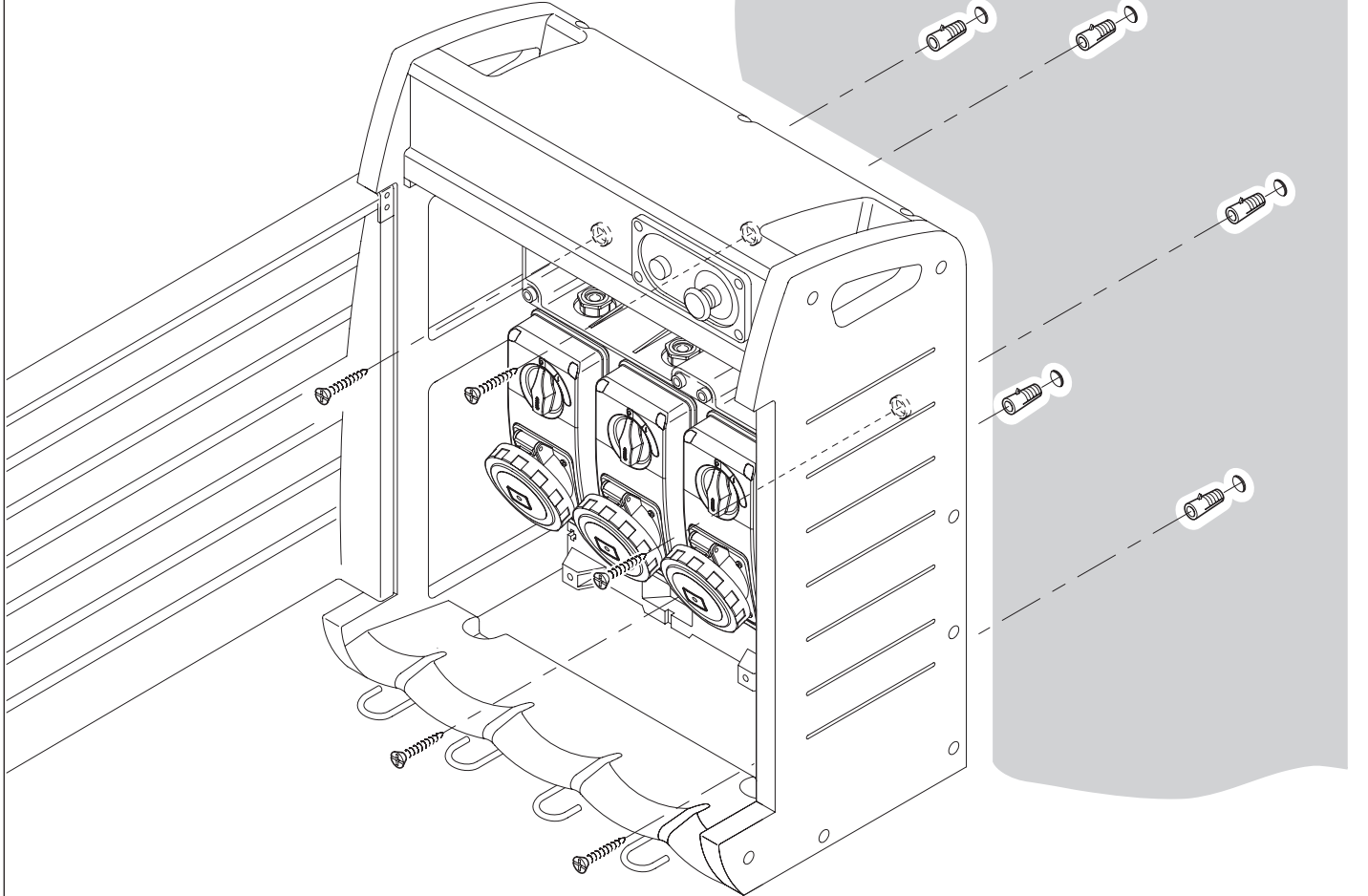


Q-BOX 6

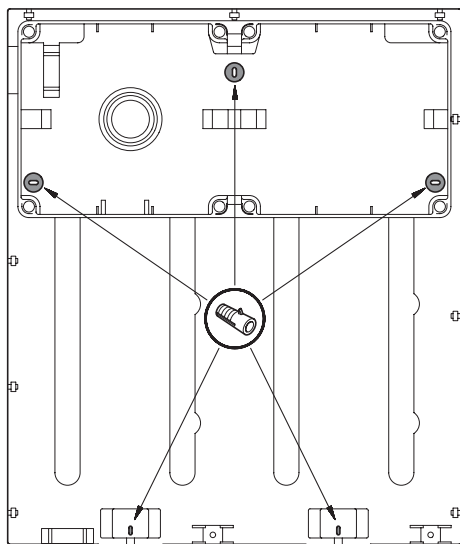




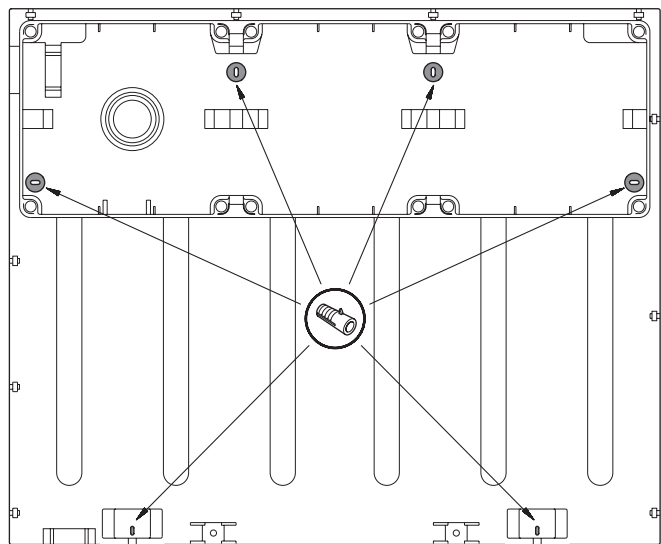
Q-BOX 4 - Q-BOX 6



Q-BOX 4

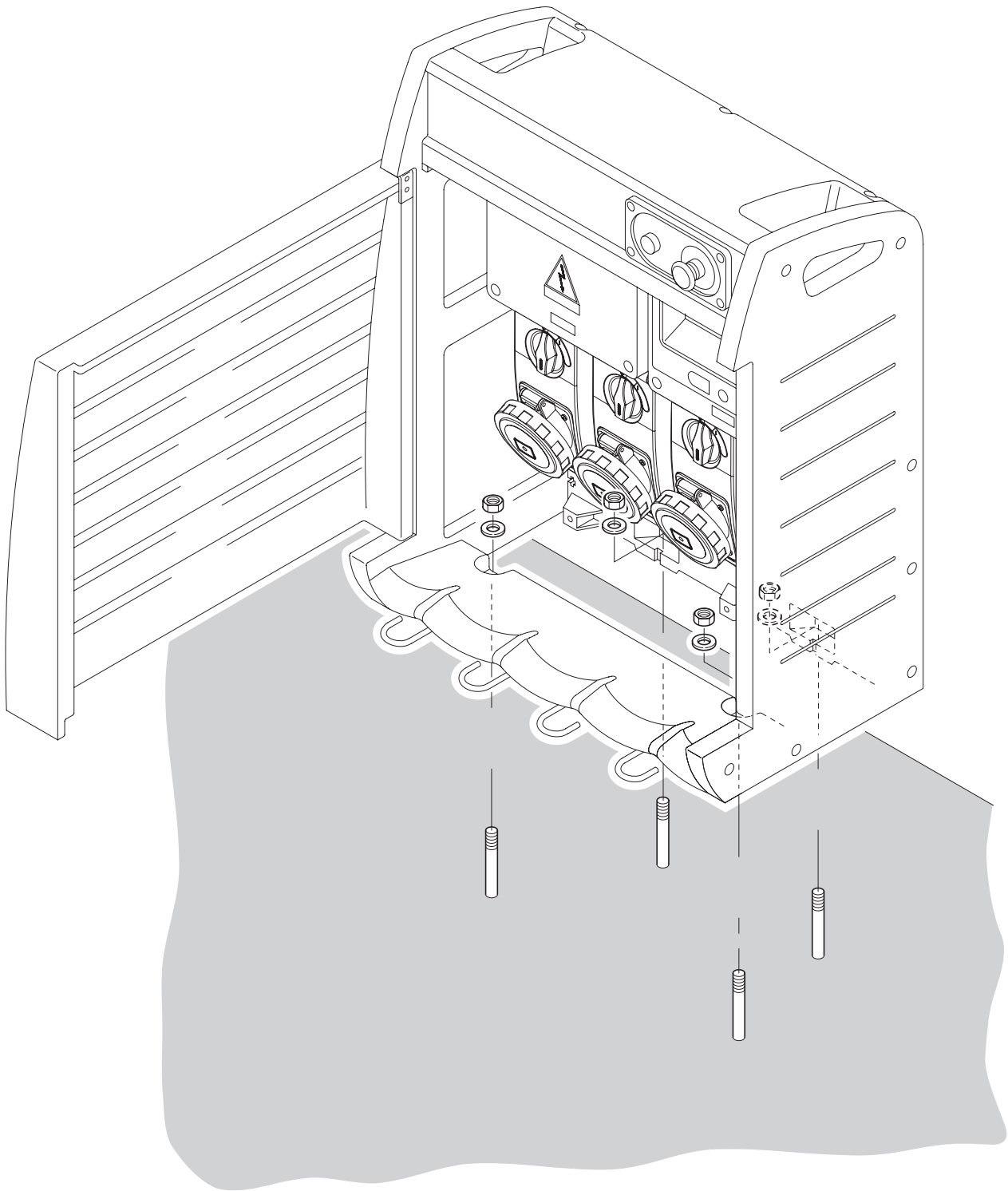


Q-BOX 6



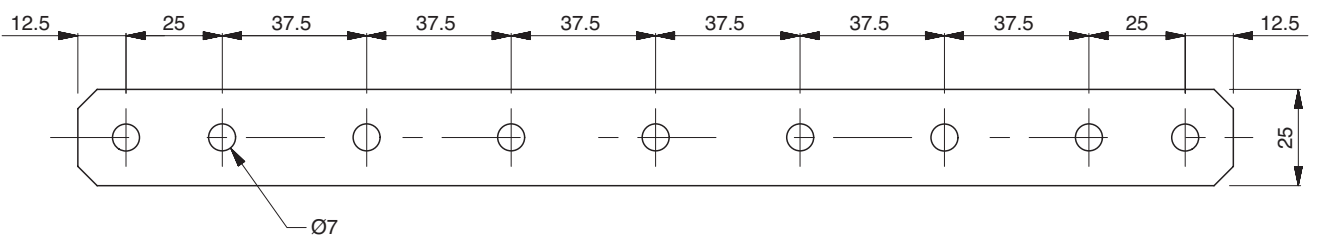
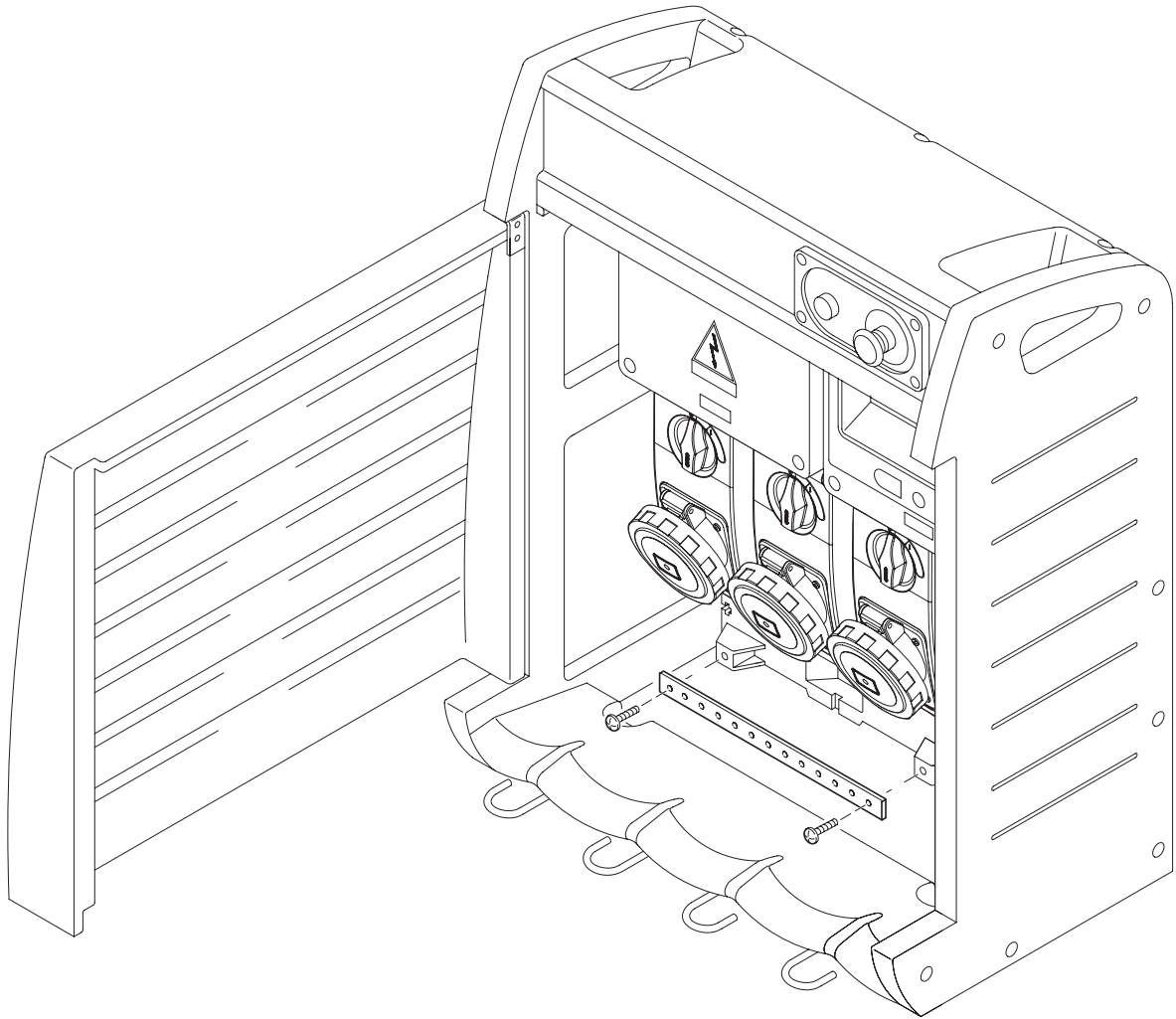


Q-BOX 4 - Q-BOX 6



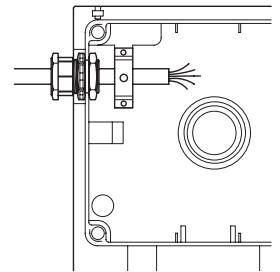
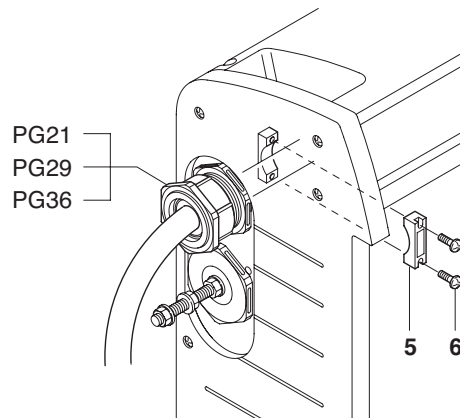
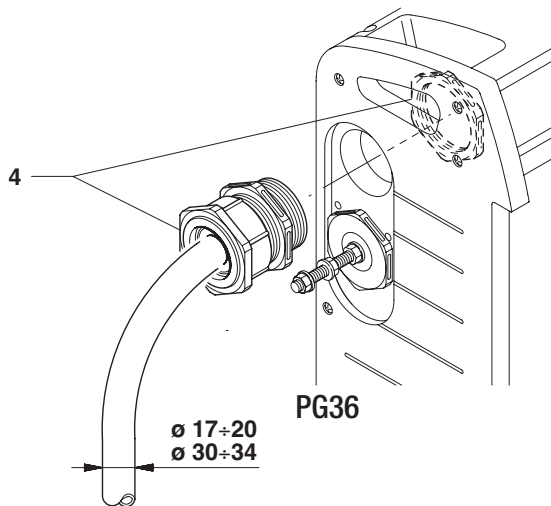
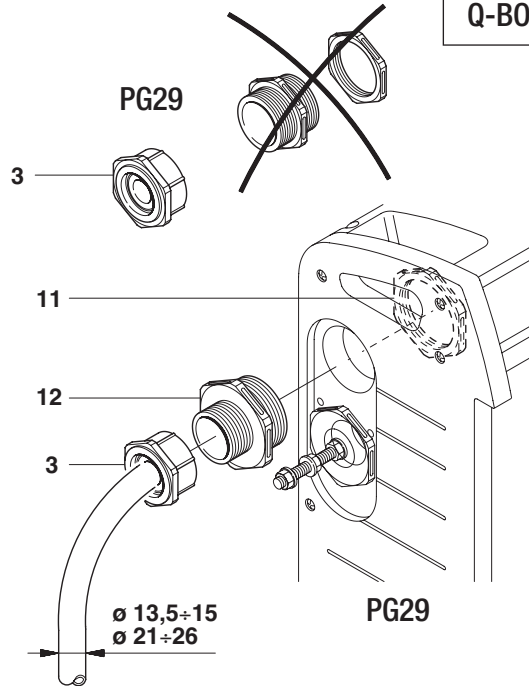
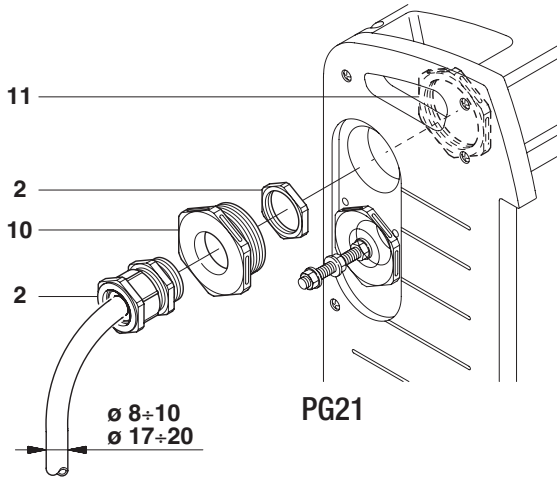


Q-BOX 4 - Q-BOX 6

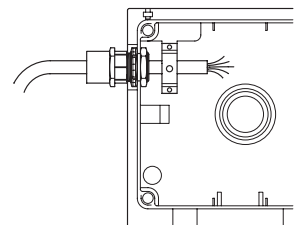
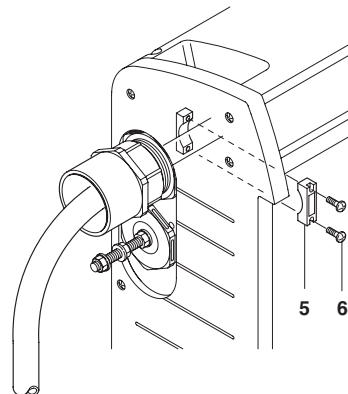
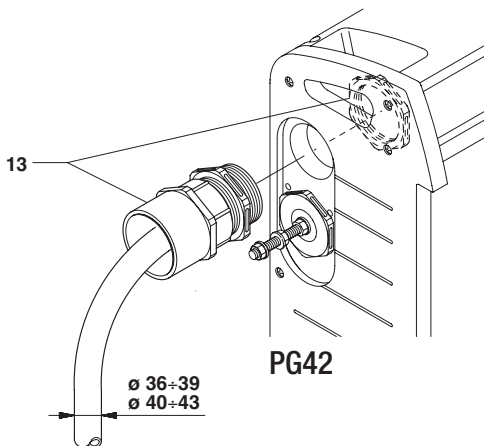




Q-BOX 4 - Q-BOX 6

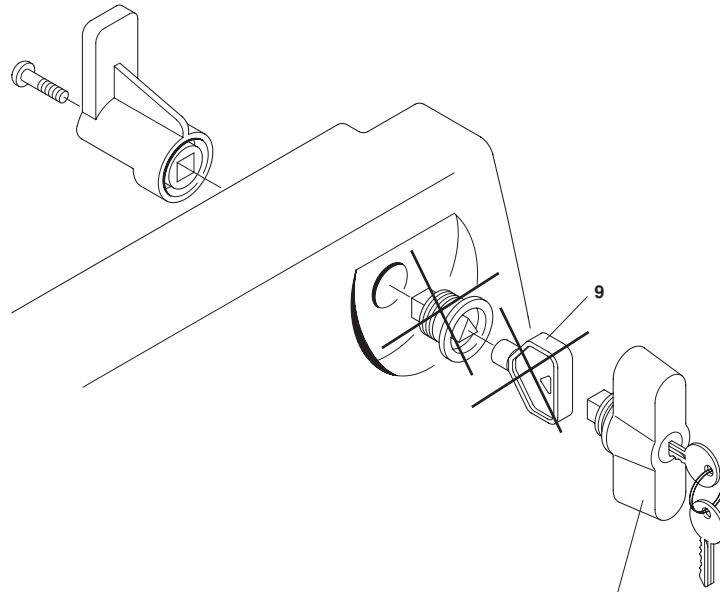


Q-BOX 4 - Q-BOX 6





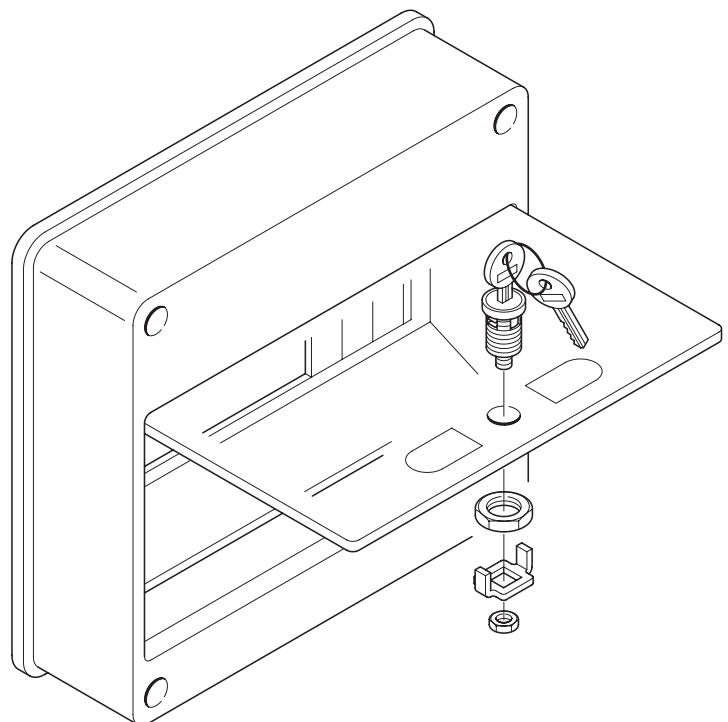
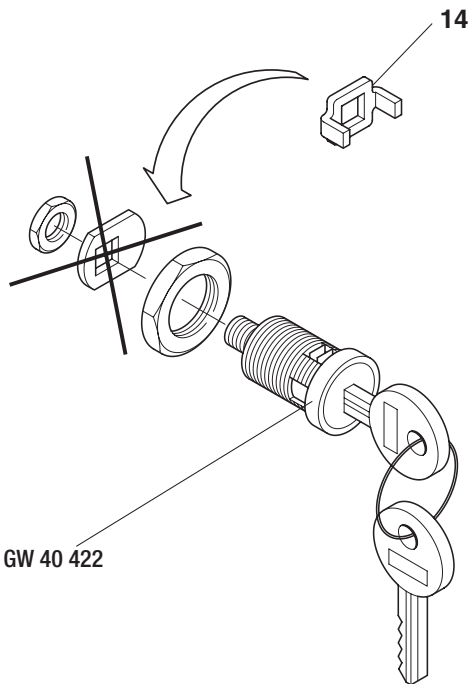
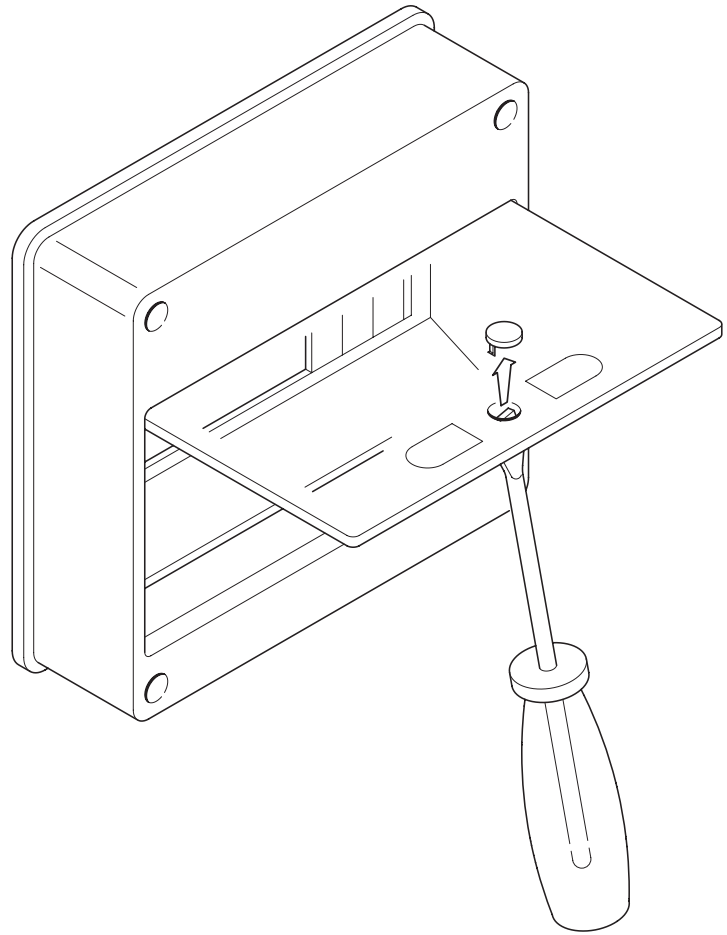
Q-BOX 4 - Q-BOX 6



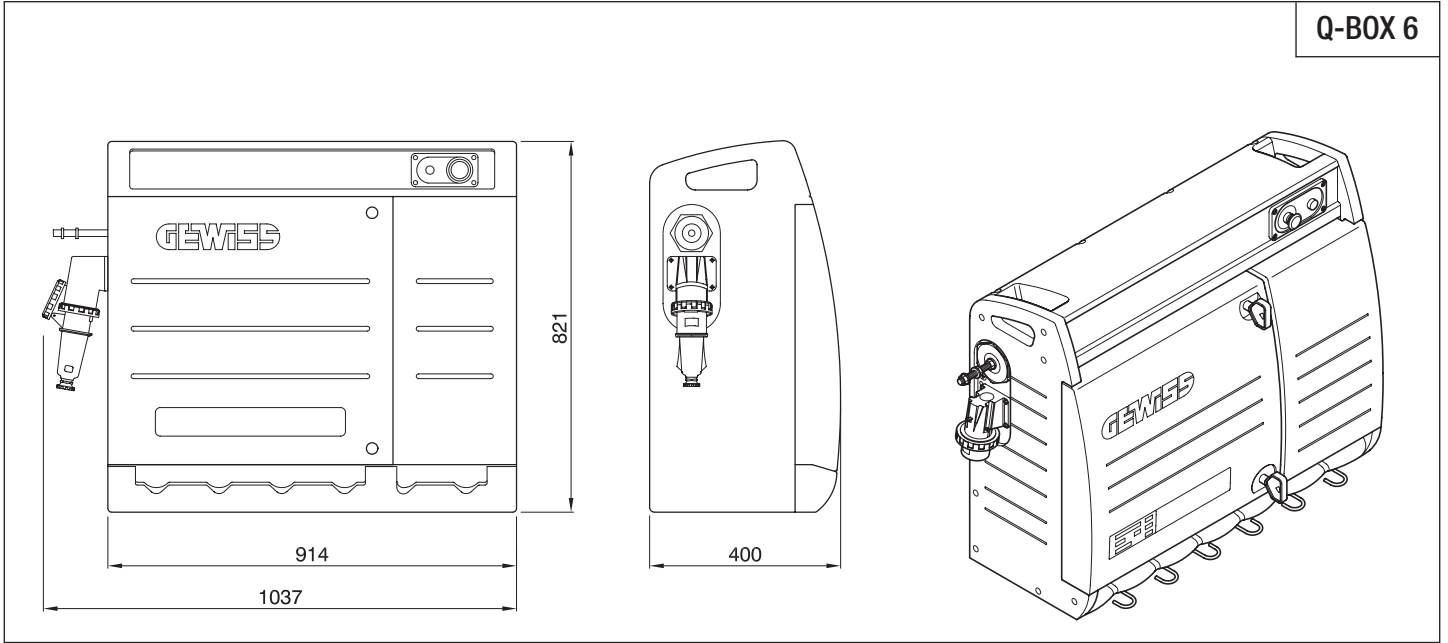
GW 46 445



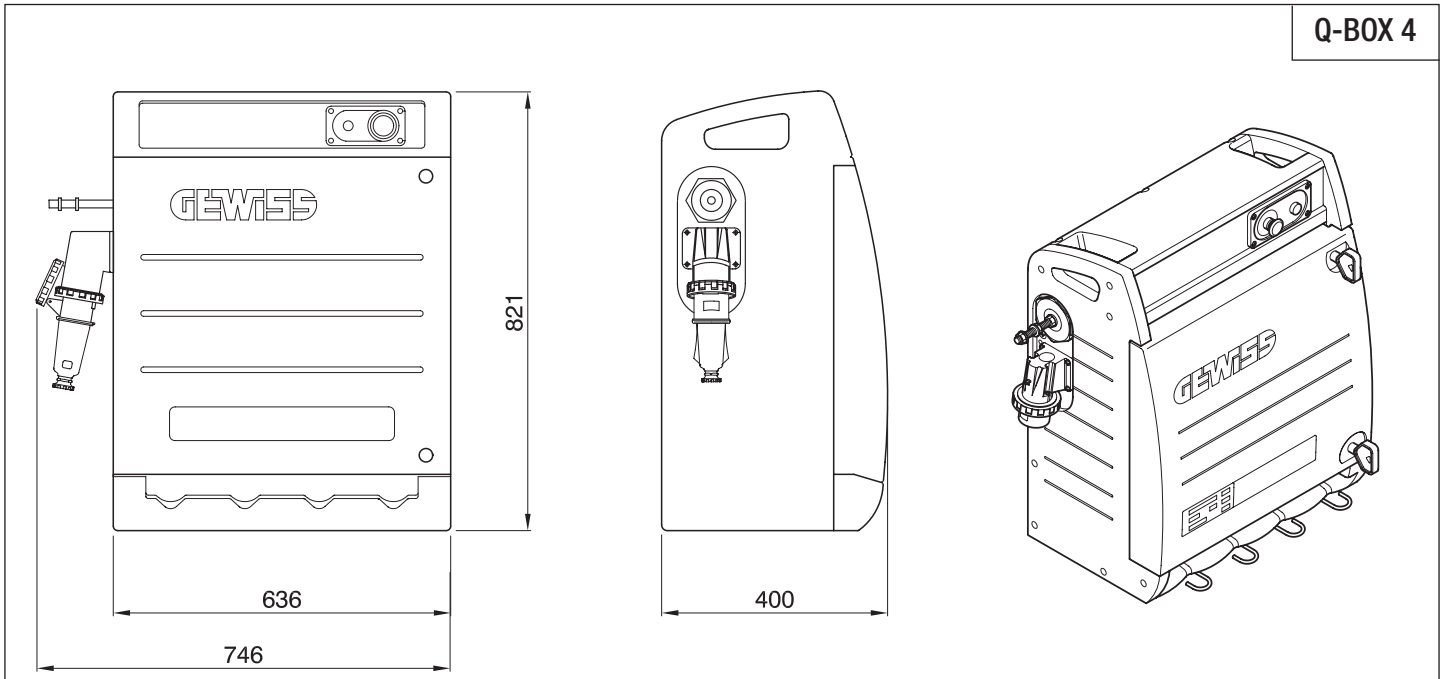
Q-BOX 4 - Q-BOX 6

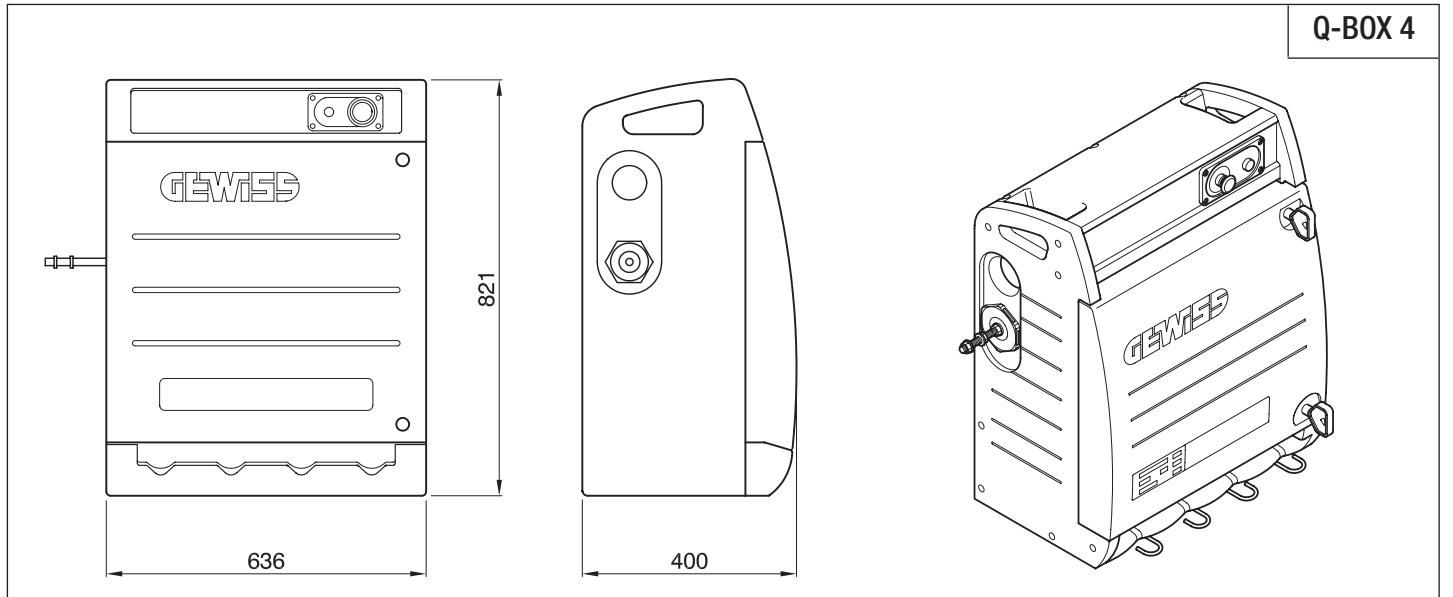
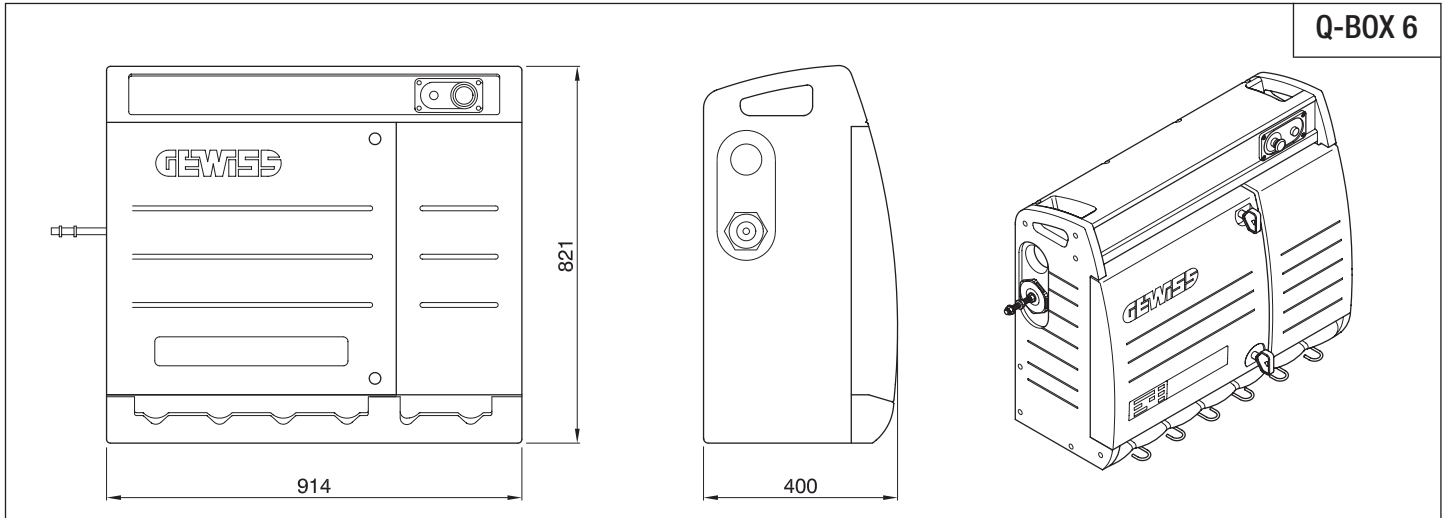


Q-BOX 6



Q-BOX 4





Punto di contatto indicato in adempimento ai fini delle direttive e regolamenti UE applicabili:
Contact details according to the relevant European Directives and Regulations:
GEWISS S.p.A. Via D.Bosatelli, 1 IT-24069 Cenate Sotto (BG) Italy tel: +39 035 946 111 E-mail: qualitymarks@gewiss.com

According to applicable UK regulations, the company responsible for placing the goods in UK market is:
GEWISS UK LTD - Unity House, Compass Point Business Park, 9 Stocks Bridge Way, ST IVES
Cambridgeshire, PE27 5JL, United Kingdom tel: +44 1954 712757 E-mail: gewiss-uk@gewiss.com



+39 035 946 111

8:30 - 12:30 / 14:00 - 18:00

lunedì - venerdì / monday - friday



www.gewiss.com

