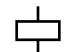





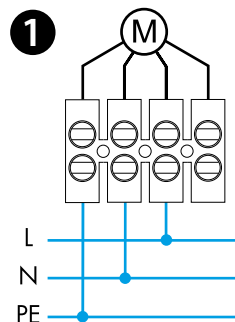
7F.20-5700
7F.30-5700


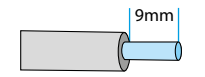
7F.02
7F.03

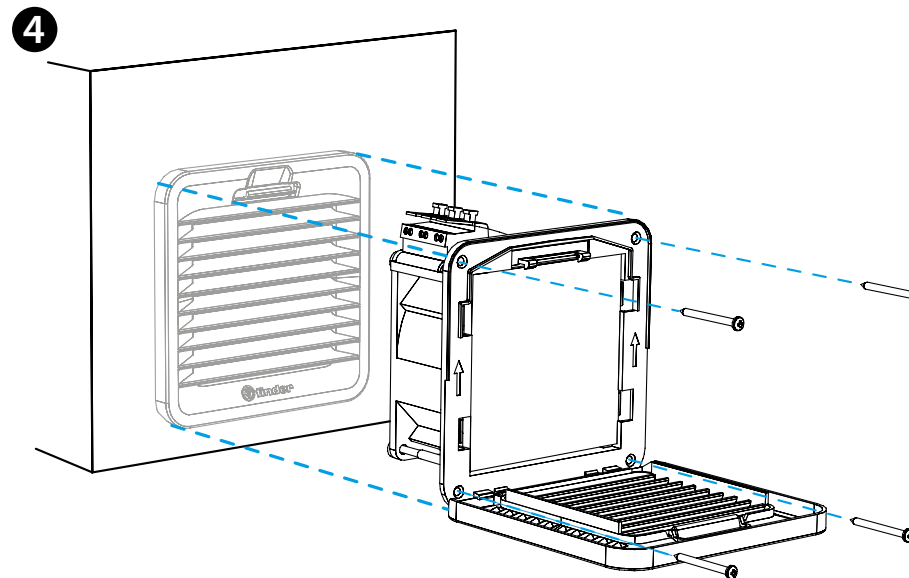
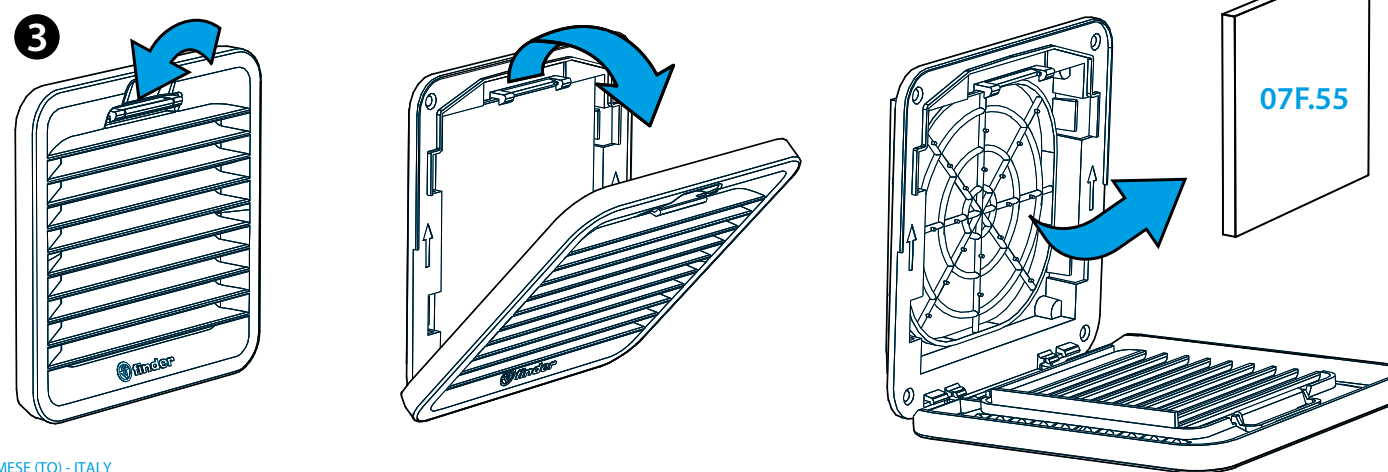
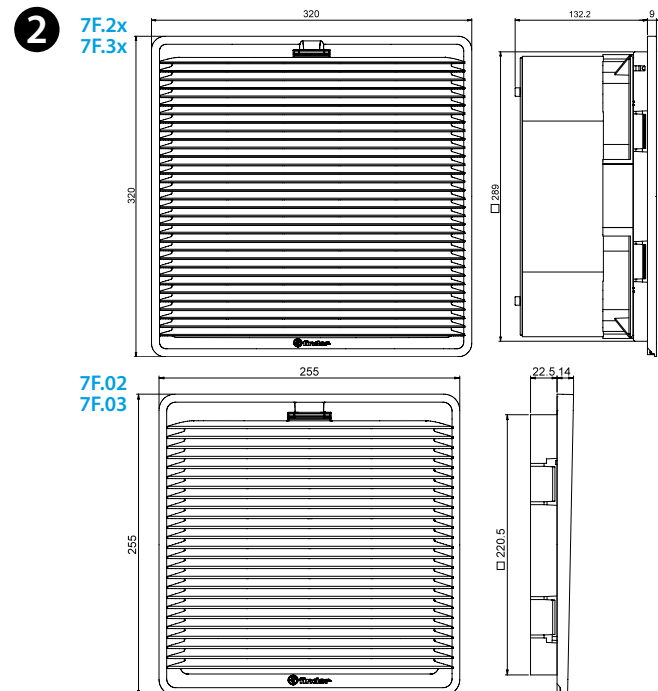
	7F.2x.x.xxx.5700 7F.2x.x.xxx.5700.0 7F.3x.x.xxx.5700	
	U _N 110...120 V AC (50/60 Hz) (8.120) U _N 230...240 V AC (50/60 Hz) (8.230) P _N 120 V AC (50/60 Hz) 110/149 W P _N 230 V AC (50/60 Hz) 106/120 W	
OUT	m ³ /h (50/60Hz)	660/700
	m ³ /h (50/60Hz)	430/470
	dB (A)	72
	(-15...+55)°C	
IP54 / Type 12		



For Use on a Flat Surface of a Type 1, 12 Enclosure
Use copper conductor only, 90°C min
Conductor size 14-18 AWG
Surrounding air temperature 40°C



	0.75...2.5 mm ²
	18...14 AWG
	9mm



ENGLISH

FOR INDOOR USE:
7F.20 FILTER FAN
7F.21 FILTER FAN WITH REVERSE FLOW FILTER

FOR OUTDOOR USE:
7F.30 FILTER FAN
7F.31 FILTER FAN WITH REVERSE FLOW FILTER

1 WIRING DIAGRAM AC

2 OUTLINE DRAWING (mm)
7F.2x/3x Fan
7F.02/03 Grid

3 GRID OPENING - FILTER REPLACEMENT

Filter mat 07F.55.
Filter mat class
EU3 according to DIN 24185, filtering degree (80...90)%.
Filter material
Synthetic fibre with progressive construction, temperature resistant to 100°C, self extinguishing, Class F1 (DIN 53438).

4 MOUNTING (example)

The installation with the only clips is optimized for 1.5 mm thick sheets.
It is also possible with thicknesses from 2.5 mm.
Fixing with screws (supplied) is recommended.
Tightening torque 0.3 Nm.

NOTE

For indoor use			
7F.2x.x.xxx.5700	Fan	Grey Color	RAL 7035
7F.2x.x.xxx.5700.0	Fan	Black Color	RAL 9004
7F.02.0.000.5000	Grid	Grey Color	RAL 7035
7F.02.0.000.5000.0	Grid	Black Color	RAL 9004

For outdoor use			
7F.3x.x.xxx.5700	Fan	Grey Color	RAL 7000
7F.03.0.000.5000	Grid	Grey Color	RAL 7000