

# Basic push button controller for LED strips 12-36VDC 1x8A - SR-1009CS



**Important:** Read All Instructions Prior to Installation

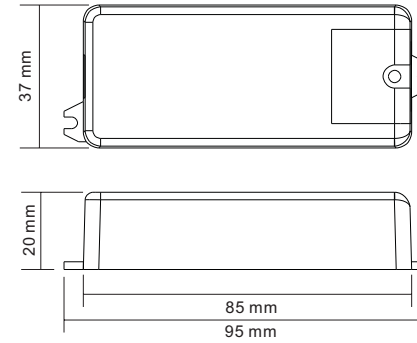
## Function introduction



## PUSH DIM:

While connected with PUSH LV, click the button to switch ON/OFF lights. Press and hold down the button to increase/decrease light intensity.

## Product Dimension



## Product Data

No.	Input Voltage	Output Current	Output Power	Remarks	Size(LxWxH)
1	12-36VDC	1x8A	1x(96-288)W	Constant voltage	95x37x20mm

● Waterproof grade: IP20

## Safety & Warnings

- DO NOT install with power applied to device.
- DO NOT expose the device to moisture.

## Wiring Diagram

