

DH-IPC-HUM4001

1 Megapixel Pinhole Network Camera



Features

- 1/4" 1 Megapixel progressive scan CMOS
- H.264&MJPEG dual-stream encoding
- Max 25/30fps@1.0MP (1280×720)
- Day/Night(Electronic), 3DNR, AWB,AGC,BLC
- 3.6mm fixed lens

DH-IPC-HUM4001

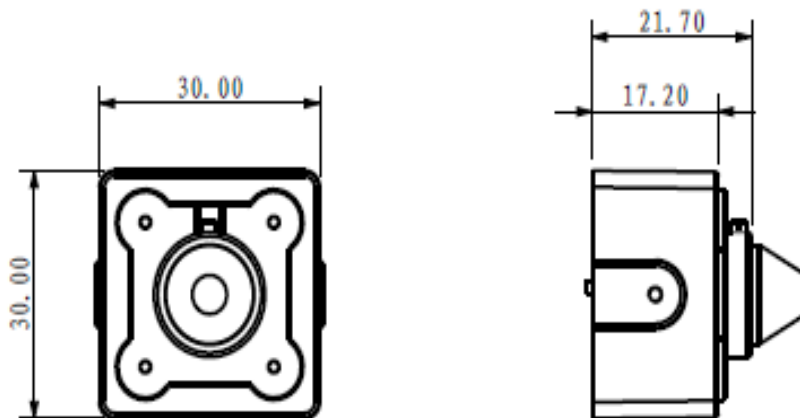
Technical Specifications

Model	DH-IPC-HUM4001	
Camera		
Image Sensor	1/4" 1 Megapixel progressive scan CMOS	
Effective Pixels	1280(H)x720(V)	
Scanning System	Progressive	
Electronic Shutter Speed	Auto/Manual, 1/3(4)~1/100000s	
Min. Illumination	0. 01Lux/F1.2 (Color), 0.001Lux/F1.2(B/W)	
S/N Ratio	More than 50dB	
Video Output	N/A	
Camera Features		
Max. IR LEDs Length	N/A	
Day/Night	Auto(Electronic)/Color/B/W	
Backlight Compensation	BLC / HLC/WDR(100dB)	
White Balance	Auto/Manual	
Gain Control	Auto/Manual	
Noise Reduction	3D	
Privacy Masking	Up to 4 areas	
Lens		
Focal Length	3.6mm	
Max Aperture	F2.8	
Focus Control	Manual	
Angle of View	72°	
Lens Type	Fixed lens	
Mount Type	Board-in Type	
Video		
Compression	H.264H/H.264B/MJPEG	
Resolution	720P(1280×720)/ D1(704×576/704×480) /CIF(352×288/352×240)	
Frame Rate	Main Stream	720P(1 ~ 25/30fps)
	Sub Stream	D1/CIF(1 ~ 25/30fps)
Bit Rate	16K ~ 10Mbps	
Audio		
Compression	N/A	
Interface	N/A	
Smart Function(Optional)		
Smart detection	Tripwire	
	Intrusion	
	Face detect	
Network		
Ethernet	RJ-45 (10/100Base-T)	
Wi-Fi	N/A	
Protocol	HTTP;TCP;ARP;RTSP;RTP;UDP;RTCP;SMTP;FTP;DHCP;DNS;DDNS;PP POE;IPv4/v6;SNMP;QoS;UPnP;NTP	

DH-IPC-HUM4001

Compatibility	ONVIF, PSIA, CGI
Max. User Access	20 users
General	
Power Supply	DC12V
Power Consumption	<2.4W
Working Environment	-30°C~+60°C, Less than 95% RH
Ingress Protection	N/A
Dimensions	30mm×30mm×21.7mm
Weight	50g

Dimensions (mm)



Dahua Technology Co., Ltd.

1199 BinAn Road, Binjiang District, Hangzhou, China

Tel: +86-571-87688883

Fax: +86-571-87688815

Email: overseas@dahuatech.com

www.dahuatech.com

*Design and specifications are subject to change without notice.

© 2014 Dahua Technology Co., Ltd.