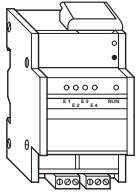


SpaceLogic KNXBinary input REG-K/4x230

Operating instructions



Art. no. MTN644992

For your safety

⚠️ DANGER

HAZARD OF ELECTRIC SHOCK, EXPLOSION, OR ARC FLASH

Safe electrical installation must be carried out only by skilled professionals. Skilled professionals must prove profound knowledge in the following areas:

- Connecting to installation networks
- Connecting several electrical devices
- Laying electric cables
- Connecting and establishing KNX networks
- Safety standards, local wiring rules and regulations

Failure to follow these instructions will result in death or serious injury.

⚠️ CAUTION

The device may be damaged!

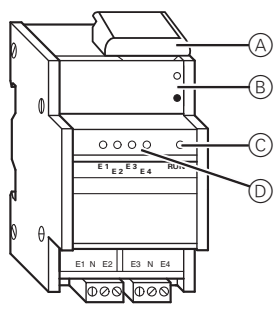
- The internal device connection of the potentials is not suitable for carrying load currents.
- Only operate the device according to the specifications stated in the Technical data.
- All the devices that are installed next to the binary input must be equipped with basic insulation at the very least.

Failure to follow these instruction can result in equipment damage.

Binary input introduction

The binary input REG-K/4x230 is used to connect four conventional 230 V devices (such as movement detectors and light-sensitive switches) to the KNX bus.

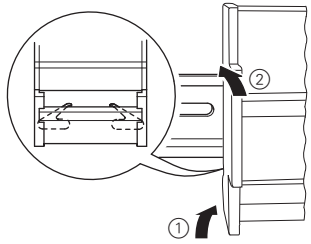
The binary input has a bus coupler. It is installed on a DIN rail acc. to EN 60715, with the bus connection made via a bus connecting terminal. A data rail is not required.



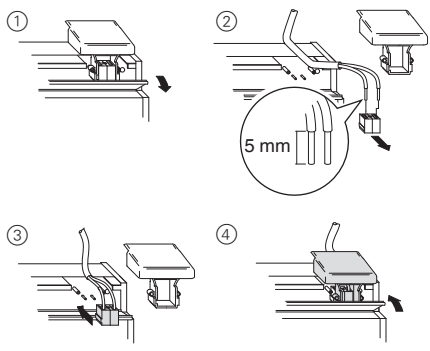
- (A) Cover of the bus connecting terminal
- (B) Programming button and programming LED (behind hinged cover)
- (C) Operational LED
- (D) Channel status LEDs

Installing the binary input

- (1) Set the binary input onto the DIN rail.

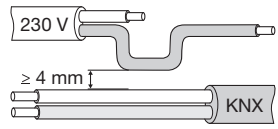


- (2) Connect KNX.



⚠️ WARNING Risk of fatal injury from electrical current. The device could be damaged.

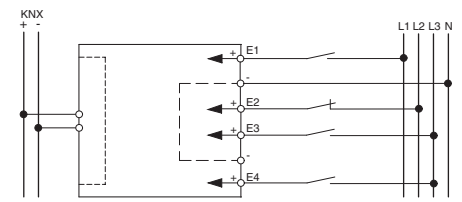
Safety clearance must be guaranteed in accordance with IEC 60664-1. There must be at least 4 mm between the individual cores of the 230 V supply cable and the KNX line.



⚠️ CAUTION The device could be damaged.

High voltages can cause damage. Never connect devices with more than 230 V.

- (3) Connect the input cables.



When the bus voltage is connected and there is a signal at the input, the corresponding yellow channel status LED will light up.

The N conductors must be connected to the device. Inputs E1 to E4 have a common potential (4 x N). Inputs E1 to E4 can be assigned to each other with different phases.

Putting the binary input into operation

- (1) Press the programming button. The programming LED lights up.
- (2) Load the physical address and the application into the device from the ETS.

The operating LED lights up: The application was loaded successfully, the device is ready for operation.

Technical data

Supply from KNX:	DC 24 V / max. 18 mA
Insulation voltage:	AC 4 kV bus/inputs
Inputs	
Nominal voltage:	AC 230 V ± 10 %, 50/60 Hz
0 signal:	< 40 V
1 signal:	> 160 V
Nominal current:	AC approx. 7 mA
Permitted cable length:	max. 100 m/channel
Ambient temperature	
Operation:	-5 °C to +45 °C
Storage:	-25 °C to +55 °C
Transport:	-25 °C to +70 °C
Max. humidity:	93 % relative humidity, no moisture condensation
Environment:	The device is designed for use at a height of up to 2000 m above sea level (MSL).

Connections	
Inputs, outputs:	Screw terminals
Single-core:	1.5 mm ² to 2.5 mm ²
Finely stranded (with core end sleeve):	1.5 mm ² to 2.5 mm ²
KNX:	Bus connecting terminal
Dimensions	
Height x width x depth:	90 x 45 x 65 mm
Device width:	2.5 modules

Schneider Electric -Contact

Schneider Electric Industries SAS
 35 rue Joseph Monier
 Reuil Malmaison 92500
 France
 If you have technical questions, please contact the Customer Care Centre in your country.
se.com/contact

UK CA UK Representative
 Schneider Electric Limited
 Stafford Park 5
 Telford, TF3 3 BL, UK