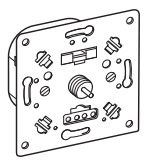


Electronic potentiometer insert 1-10 V

Operating instructions



SBD1-10V

For your safety

DANGER
Risk of fatal injury due to electrical current
 All work on the device should only be carried out by trained and skilled electricians. Observe the country-specific regulations.

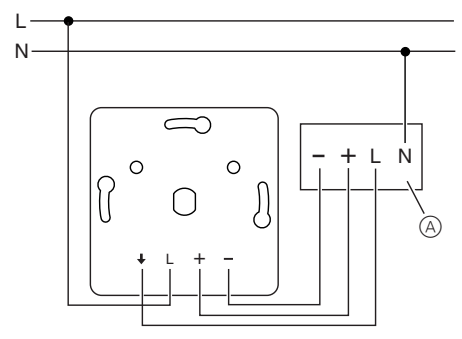
DANGER
Risk of fatal injury from electric current.
 The outputs may carry an electrical current even when the device is switched off. Always disconnect the fuse in the incoming circuit from the supply before working on connected loads.

Electronic potentiometer insert introduction

Using the electronic potentiometer insert (hereafter referred to as "insert") you can switch and dim fluorescent lamps, with electronic ballast or electronic transformers with a 1–10V interface, with a rotary knob.

Installing the insert

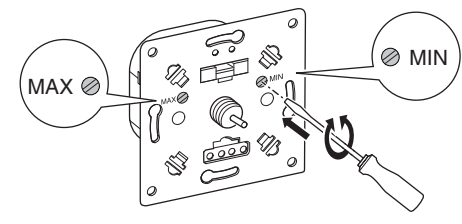
Wire the insert for the application required.



(A) electronic ballast (EB)

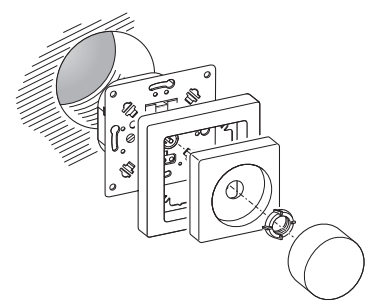
Setting the minimum brightness of the lamps.

i The connected lamps should illuminate a minimum brightness when the insert is switched on and when the rotary switch has been dimmed down.
 Set the minimum brightness and the maximum brightness before installing the covers.

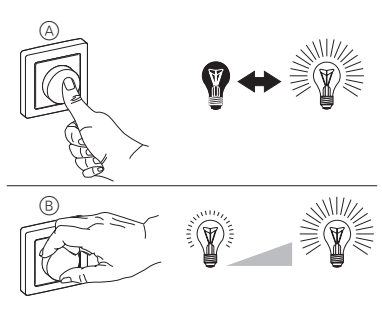


- ① Switch on insert.
- ② Dim the brightness right down using the rotary knob.
- ③ Set the minimum brightness using the right-hand set-screw (MIN).
- ④ Dim the brightness right up using the rotary knob.
- ⑤ Set the maximum brightness using the left-hand set-screw (MAX).

Installing the insert and covers.



Operating the insert

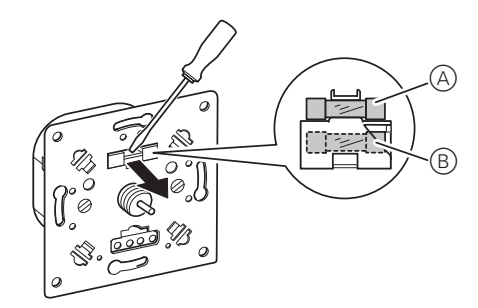


- You switch the connected lamps on and off by simply pressing the rotary knob (A).
- By turning the rotary knob (B), you dim the lamps brighter or darker.

What should I do if there is a problem?

- The connected lamp doesn't switch on.**
- Check the fuse, replace if necessary.
 - If there is an overload due to the fact that the operating temperature is too high, it will not be possible to switch the insert back on, and it must be replaced.

How to change the fuse



- ① Remove the covers.
- ② Prise the fuse holder out using a screwdriver.
- ③ Remove blown fuse (A) and replace with replacement fuse (B).

Technical data

Mains voltage:	AC 230 V, 50 Hz
Nominal load:	400 VA at 1.7 A
Control current:	max. 20 mA at 10 V max. 200 mA at 1 V min. 0.2 mA
Load type:	Controllable electronic ballasts for fluorescent lamps
Short-circuit protection:	Fuse, F6.3AH
Surge protection:	Electronic
Operating temperature:	+5 °C to +35 °C

Schneider Electric Industries SAS

If you have technical questions, please contact the Customer Care Center in your country.
www.schneider-electric.com

This product must be installed, connected and used in compliance with prevailing standards and/or installation regulations. As standards, specifications and designs develop from time to time, always ask for confirmation of the information given in this publication.