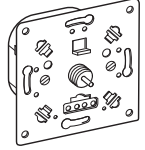


Rotary dimmer insert for capacitive load

Operating instructions



SBD315RC, SBD630RC

For your safety

- ⚠ DANGER**
Risk of fatal injury due to electrical current
All work on the device should only be carried out by trained and skilled electricians. Observe the country-specific regulations.
- ⚠ DANGER**
Risk of fatal injury from electric current.
The outputs may carry an electrical current even when the device is switched off. Always disconnect the fuse in the incoming circuit from the supply before working on connected loads.

Rotary dimmer insert – introduction

With the rotary dimmer insert (hereafter referred to as "dimmer"), you can use a rotary knob to switch and dim ohmic and capacitive loads such as

- Incandescent lamps and 230 V halogen lamps
- Low-voltage halogen lamps with dimmable, electronic transformers

- ⚠ CAUTION**
The device can become damaged.
 - Always operate the device with the specified minimum load.
 - Protect the circuit with 10 A if further loads are to be looped on the X terminal of the device.

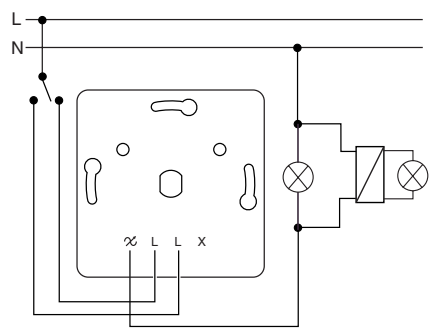
Installing the dimmer

i The maximum allowed load is reduced due to the decreased heat dissipation when you do not install the device into a single standard flush-mounted mounting box:

Load reduction by	Mounted in cavity walls *	Several installed together in combination *	In 1-gang or 2-gang surface-mounted housing	in 3-gang surface-mounted housing
25 %	x	x		
30 %			x	
50 %				x

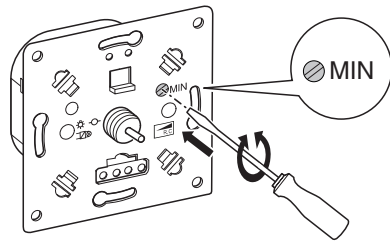
* If several factors apply, add the load reductions together.

Wiring the dimmer for the desired application.



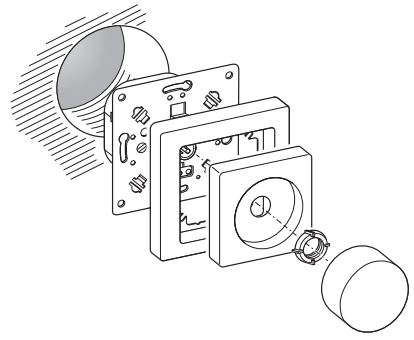
Setting the minimum brightness of the lamps.

i The connected lamps should illuminate a minimum brightness when the dimmer is switched on and when the rotary switch has been dimmed down.
Set the minimum brightness before installing the covers.

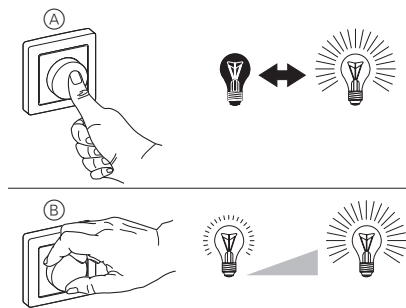


- ① Switch on the dimmer.
- ② Dim the brightness right down using the rotary knob.
- ③ Set the minimum brightness using the set-screw (MIN).

Installing the dimmer and covers.



Operating the dimmer



- You switch the connected lamps on and off by simply pressing the rotary knob (A).
- By turning the rotary knob (B), you dim the lamps brighter or darker.

What should I do if there is a problem?

- The connected lamp doesn't switch on.**
- Reduce the connected load.
 - If there is an overload due to the fact that the operating temperature is too high, it will not be possible to switch the dimmer back on and it must be replaced.

Technical data

Mains voltage:	AC 230 V, 50 Hz
Nominal load:	
SBD315RC	20 - 315 W
SBD630RC	20 - 630 W
Minimum load:	20 W
Load type:	Ohmic and capacitive load
Short-circuit protection:	Electronic
Operating temperature:	+5 °C to +35 °C
Surge protection:	Electronic

Schneider Electric Industries SAS

If you have technical questions, please contact the Customer Care Center in your country.
www.schneider-electric.com
This product must be installed, connected and used in compliance with prevailing standards and/or installation regulations. As standards, specifications and designs develop from time to time, always ask for confirmation of the information given in this publication.