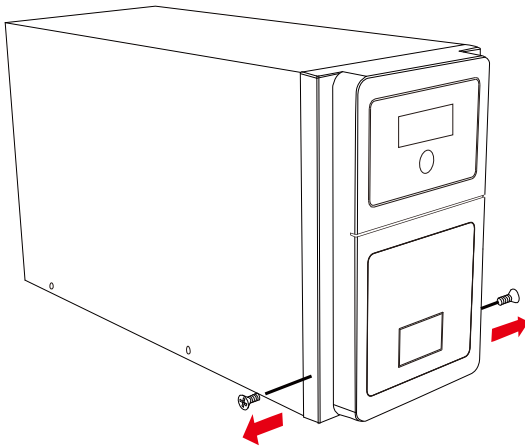


Recycling battery information

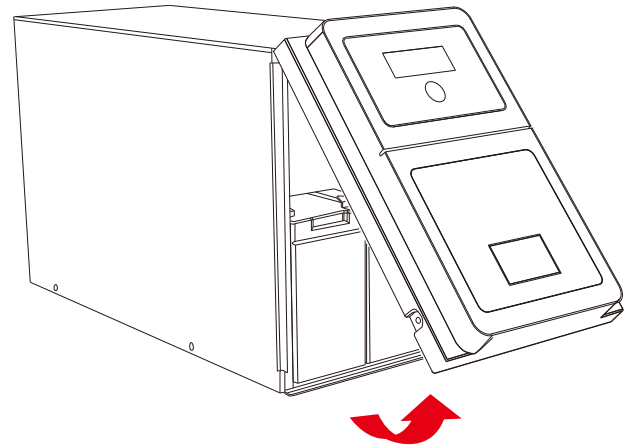
Please follow below steps to recycle the battery of the UPS.

CAUTION:

- Only qualified persons should remove the battery.
- Batteries may contain an electrical charge – avoid creating short across terminals.
- Cracked or bloated batteries may be hazardous and represent a lead(Pb) and electrolyte exposure.

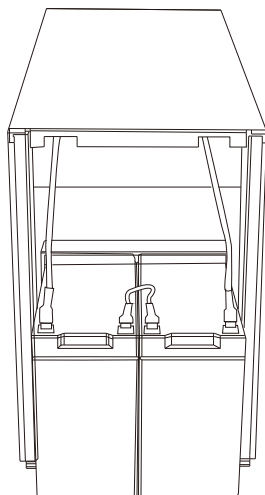


- 1** Unscrew the two(2) screws that hold on both sides of UPS cover.

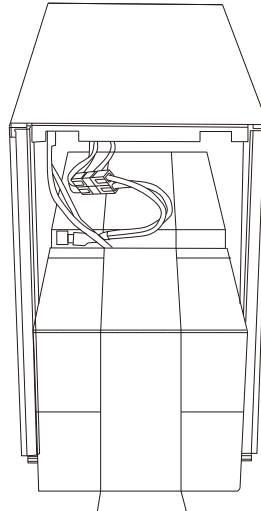


- 2** Lift up the front cover from the bottom of UPS cover.

750-1.5K



2-3K



- 3** Disconnect battery cables and pull out old battery.

- 4** Recycle battery. Use authorized battery recycler.

See www.apc.com/recycle for information on recycling services offered in your country.