

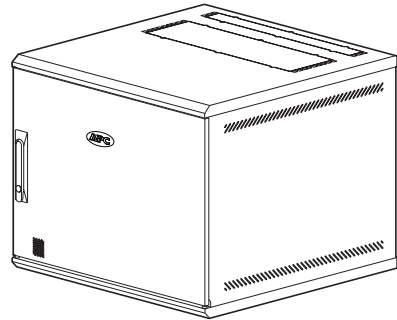


by Schneider Electric

Installation

NetShelter® WX Cabinet with Swing Handle

AR106SH4, AR109SH4, AR112SH4,
AR106SH6, AR109SH6, AR112SH6



Worldwide Customer Support

Customer support is available at www.apc.com and on the mySchneider app.

© 2019 Schneider Electric. All rights reserved.

990-91294-001

9/2019



⚠ WARNING	⚠ AVERTISSEMENT
HEAVY EQUIPMENT HAZARD • At least two people are required to unpack and move the cabinet. Failure to follow these instructions can result in death, serious injury, or equipment damage.	EQUIPMENT LOURD RISQUE • Le déballage et le déplacement de l'armoire nécessitent l'intervention d'au moins deux personnes. Le non-respect de ces instructions peut entraîner des blessures graves, voire mortelles, ou endommager l'équipement.

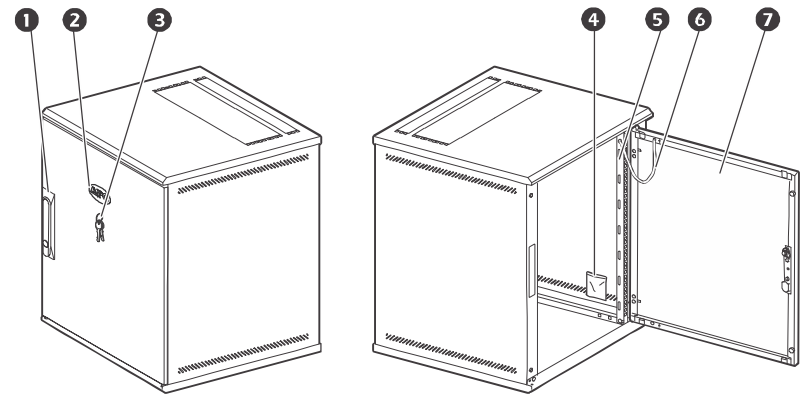
Model	Height (U/mm)	Width (mm)	Depth (mm)	Cabinet Weight (kg/lb)	Shipping Weight (kg/lb)
AR106SH4	6/355	600	400	11.1 / 24.5	13.6 / 29.9
AR109SH4	9/485	600	400	13.0 / 28.7	15.8 / 34.8
AR112SH4	12/620	600	400	14.9 / 32.8	18.0 / 39.7
AR106SH6	6/355	600	600	14.4 / 31.7	17.5 / 38.6
AR109SH6	9/485	600	600	16.7 / 36.8	20.5 / 45.2
AR112SH6	12/620	600	600	19.2 / 42.3	23.2 / 51.1

Static loading rate (all models): 90.7 kg (200 lb)

Wear appropriate personal protective equipment (PPE) when installing or configuring the cabinet.

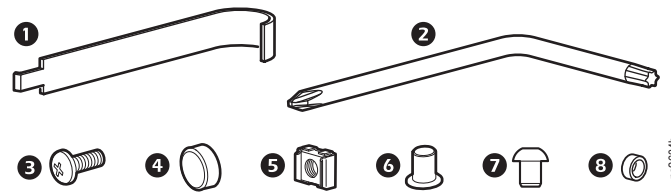
These cabinets are compatible with NetBotz® Handle Kits (NBHN125 and NBHN1356).

Inventory



Item	Description	Quantity
1	Swing handle	2
2	APC badge	1
3	Keys	1
4	Hardware bag	1
5	Adjustable rails AR106SH4, AR109SH4, AR112SH4 AR106SH6, AR109SH6, AR112SH6	2 4
6	Grounding wire	1
7	Reversible door	1

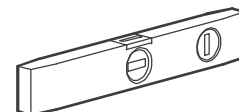
Hardware Bag



Item	Description	Quantity
1	Cage nut tool	1
2	Wrench, T30/#2 Phillips	1
3	Screw, Phillips/Slot, M6 x 16 AR106SH4 & AR106SH6 AR109SH4 & AR109SH6 AR112SH4 & AR112SH6	24 36 48
4	Cup, M6, black, plastic AR106SH4 & AR106SH6 AR109SH4 & AR109SH6 AR112SH4 & AR112SH6	24 36 48
5	Caged nut, M6 AR106SH4 & AR106SH6 AR109SH4 & AR109SH6 AR112SH4 & AR112SH6	24 36 48
6	Bushing, door, plastic (extra)	2
7	Hole plug, plastic (extra)	2
8	Washer, plastic (extra)	1

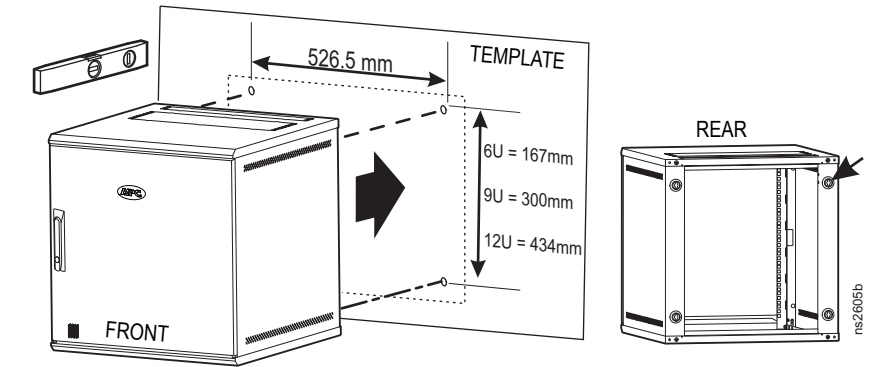
Tools Required (Not Provided)

Level

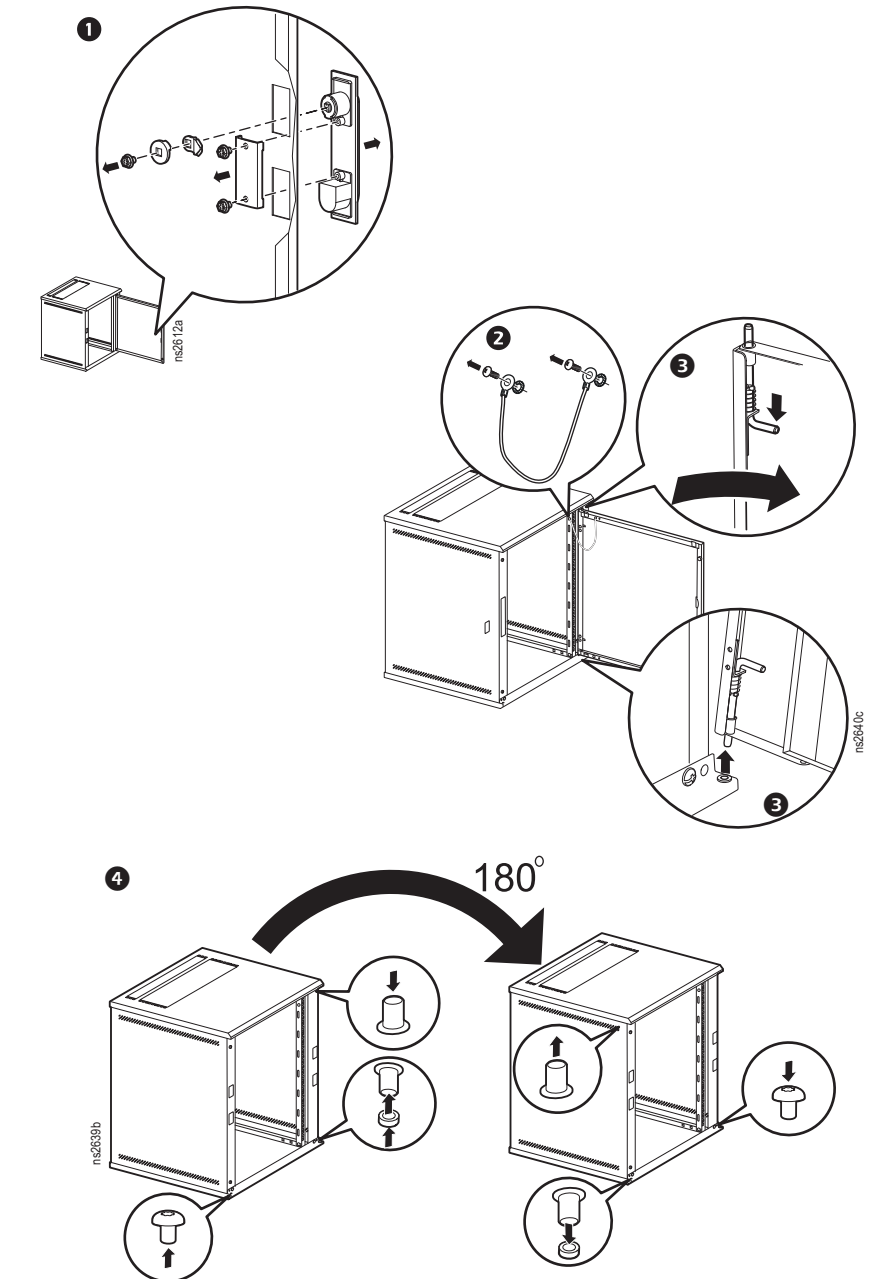


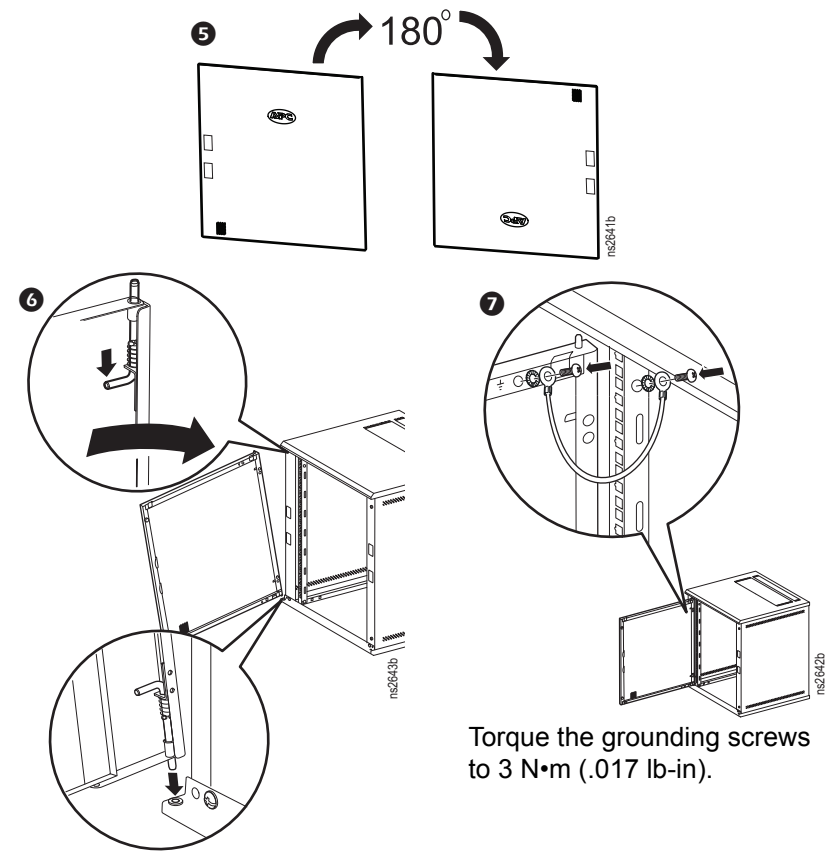
Installation

Use the template to mark the location of mounting hardware to your wall. Install the appropriate hardware (not included) to the wall, following all local regulations. There are four (4) keyhole cutouts on the rear of the side panels that can accommodate M6 to M10 bolts.



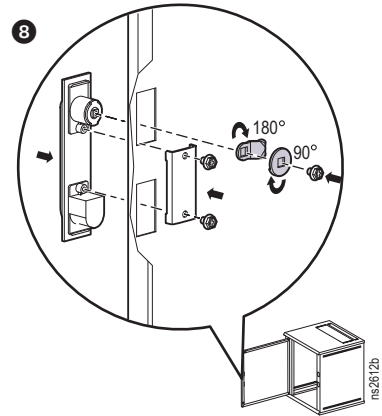
Door Reversal



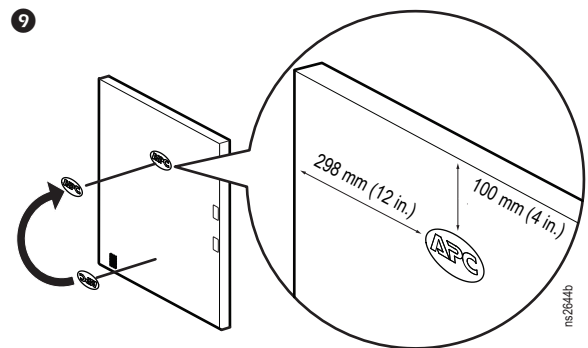


Torque the grounding screws to 3 N•m (.017 lb-in).

Earthing: Attach the earthing wire between the cabinet door and the cabinet body at the grounding location (two M6 threaded inserts) at the corners of the cabinet. See illustration 7 above. Use paint-piercing washers between the ground terminal and the cabinet frame, or remove the paint on the frame under the ground terminals, per NEC NFPA 70 Article 250.12.

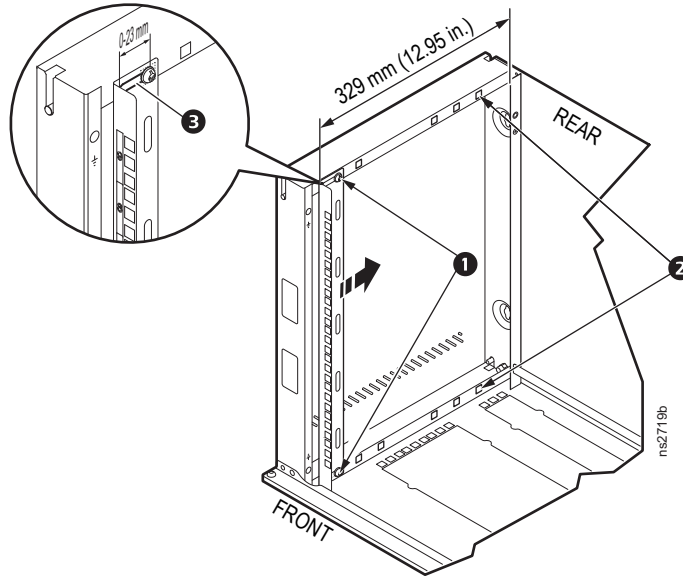


Rotate the washers 180 and 90 degrees from their original positions.



Rail Adjustment

The rails can be adjusted to 6 positions using the square holes 2 with cage nuts installed. The forward most position includes a threaded PEM nut 1 for rapid installation. The other 5 mounting locations use a cage nut to mount the vertical mounting rail into position. The slotted hole 3 in the vertical mounting rail allows for 0 to 23 mm (0 to 0.9 in.) adjustment at each position.



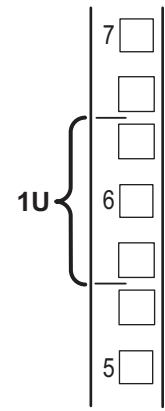
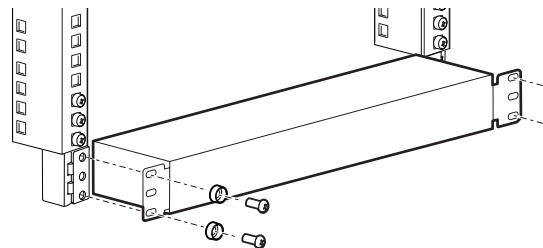
NOTE: AR109SH4 is shown in the cutaway illustration. The door and top panel have been removed for clarity.

Position dimensions in the table are listed from the front (maximum) of the cabinet to the back (minimum).

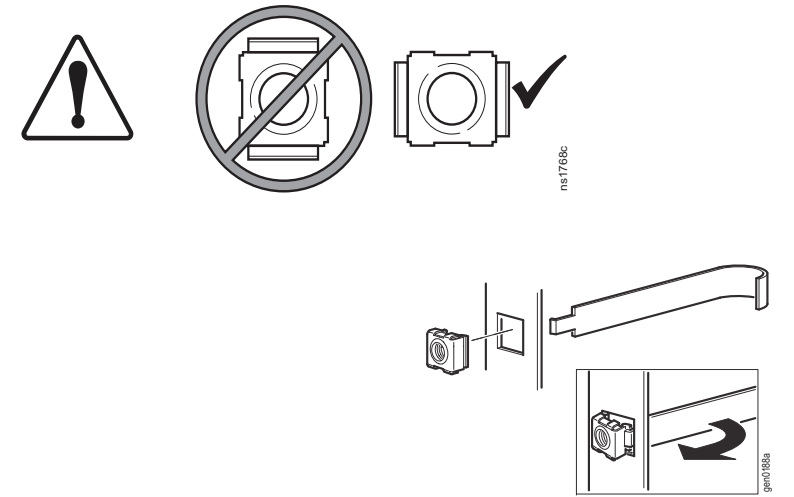
Position	400 mm depth		600 mm depth	
	mm	in.	mm	in.
1	329	13.0	529	20.8
2	289	11.4	489	19.3
3	249	9.8	449	17.7
4	153	6.0	153	6.0
5	113	4.4	113	4.4
6	73	2.9	73	2.9

Customer Equipment Installation

- Review the equipment manufacturer's installation instructions.
- Locate the top and bottom U-space on the vertical mounting rails. Every third hole on the mounting rails is numbered to indicate the middle of a U-space.
- Install the cage nuts on the interior of the vertical mounting rail; then install the equipment. (To remove a cage nut, squeeze the sides to release it from the square hole.)



Cage nut installation



Five-Year Factory Warranty

The limited warranty provided by APC by Schneider Electric in this Statement of Limited Factory Warranty applies only to Products you purchase for your commercial or industrial use in the ordinary course of your business.

Terms of Warranty

APC by Schneider Electric warrants its products to be free from defects in materials and workmanship for a period of five years from the date of purchase. Its obligation under this warranty is limited to repairing or replacing, at its sole discretion, any such defective products. This warranty does not apply to equipment that has been damaged by accident, negligence, or misapplication or has been altered or modified in any way. Repair or replacement of a defective product or part thereof does not extend the original warranty period. Any parts furnished under this warranty may be new or factory-remanufactured.

Non-transferable Warranty

This warranty applies only to the original purchaser who must have properly registered the product. The product may be registered at www.apc.com.

Exclusions

APC by Schneider Electric shall not be liable under the warranty if its testing and examination disclose that the alleged defect in the product does not exist or was caused by end user's or any third person's misuse, negligence, improper installation or testing. Further APC by Schneider Electric shall not be liable under the warranty for unauthorized attempts to repair or modify wrong or inadequate electrical voltage or connection, inappropriate on-site operation conditions, corrosive atmosphere, repair, installation, start-up by non-APC by Schneider Electric designated personnel, a change in location or operating use, exposure to the elements, Acts of God, fire, theft, or installation contrary to APC by Schneider Electric recommendations or specifications or in any event if the APC by Schneider Electric serial number has been altered, defaced, or removed, or any other cause beyond the range of the intended use.

THERE ARE NO WARRANTIES, EXPRESS OR IMPLIED, BY OPERATION OF LAW OR OTHERWISE, OF PRODUCTS SOLD, SERVICED OR FURNISHED UNDER THIS AGREEMENT OR IN CONNECTION HERewith. APC BY SCHNEIDER ELECTRIC DISCLAIMS ALL IMPLIED WARRANTIES OF MERCHANTABILITY, SATISFACTION AND FITNESS FOR A PARTICULAR PURPOSE. APC BY SCHNEIDER ELECTRIC EXPRESS WARRANTIES WILL NOT BE ENLARGED, DIMINISHED, OR AFFECTED BY AND NO OBLIGATION OR LIABILITY WILL ARISE OUT OF, APC BY SCHNEIDER ELECTRIC RENDERING OF TECHNICAL OR OTHER ADVICE OR SERVICE IN CONNECTION WITH THE PRODUCTS. THE FOREGOING WARRANTIES AND REMEDIES ARE EXCLUSIVE AND IN LIEU OF ALL OTHER WARRANTIES AND REMEDIES. THE WARRANTIES SET FORTH ABOVE CONSTITUTE APC BY SCHNEIDER ELECTRIC'S SOLE LIABILITY AND PURCHASER'S EXCLUSIVE REMEDY FOR ANY BREACH OF SUCH WARRANTIES. APC BY SCHNEIDER ELECTRIC WARRANTIES RUN ONLY TO PURCHASER AND ARE NOT EXTENDED TO ANY THIRD PARTIES.

IN NO EVENT SHALL APC BY SCHNEIDER ELECTRIC, ITS OFFICERS, DIRECTORS, AFFILIATES OR EMPLOYEES BE LIABLE FOR ANY FORM OF INDIRECT, SPECIAL, CONSEQUENTIAL OR PUNITIVE DAMAGES, ARISING OUT OF THE USE, SERVICE OR INSTALLATION, OF THE PRODUCTS, WHETHER SUCH DAMAGES ARISE IN CONTRACT OR TORT, IRRESPECTIVE OF FAULT, NEGLIGENCE OR STRICT LIABILITY OR WHETHER APC BY SCHNEIDER ELECTRIC HAS BEEN ADVISED IN ADVANCE OF THE POSSIBLY OF SUCH DAMAGES. SPECIFICALLY, APC BY SCHNEIDER ELECTRIC IS NOT LIABLE FOR ANY COSTS, SUCH AS LOST PROFITS OR REVENUE, LOSS OF EQUIPMENT, LOSS OF USE OF EQUIPMENT, LOSS OF SOFTWARE, LOSS OF DATA, COSTS OF SUBSTITUANTS, CLAIMS BY THIRD PARTIES, OR OTHERWISE.

NO SALESMAN, EMPLOYEE OR AGENT OF APC BY SCHNEIDER ELECTRIC IS AUTHORIZED TO ADD TO OR VARY THE TERMS OF THIS WARRANTY. WARRANTY TERMS MAY BE MODIFIED, IF AT ALL, ONLY IN WRITING SIGNED BY AN APC BY SCHNEIDER ELECTRIC OFFICER AND LEGAL DEPARTMENT.

Warranty Claims

Customers with warranty claims issues may access the APC by Schneider Electric worldwide customer support network by visiting www.apc.com. Select your country from the country selection pull-down menu. Open the Support tab at the top of the web page to obtain contact information for customer support in your region.