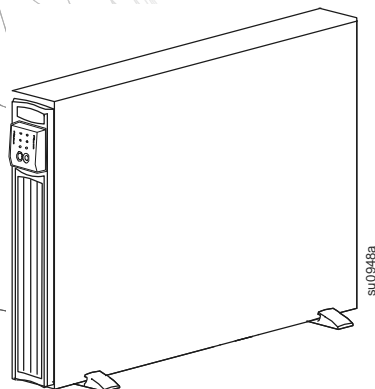




# Installation and Operation

## Smart-UPS™ SR1

Uninterruptible Power Supply  
SR11KXIET  
SR12KXIET  
220/230/240 Vac  
Tower



# **Smart-UPS<sup>™</sup> SR1**

**1000/2000 VA**

**220/230/240 Vac**

**Tower/Rack Mount 2U**

**Uninterruptible Power Supply**

**English**



# 1: SAFETY INFORMATION

The Schneider Electric Smart-UPS™ SR1 is a high performance, uninterruptible power supply (UPS). The UPS provides protection for electronic equipment from utility power blackouts, brownouts, sags, and surges and small utility fluctuations and large disturbances. The UPS also provides battery backup power for connected equipment until utility power returns to safe levels or the batteries are fully discharged.

This user manual is available on the enclosed Documentation CD and on the Schneider Electric web site, [www.schneider-electric.com](http://www.schneider-electric.com).



**Changes or modifications to this unit not expressly approved by the party responsible for compliance could void the warranty.**

## HANDLING SAFETY

Be careful. Do not lift heavy loads without assistance.



<18 kg (<40 lb)



32–55 kg (70–120 lb)



18–32 kg (40–70 lb)



>55 kg (>120 lb)

This equipment is intended for installation in a temperature controlled indoor area free of conductive contaminants. Refer to Characteristics on the Schneider Electric web site, [www.schneider-electric.com](http://www.schneider-electric.com) for the actual temperature range.

## ELECTRICAL SAFETY

- To reduce the risk of fire, connect only to a circuit provided with a 30 Amp maximum branch circuit overcurrent protection in accordance with the National Electrical Code ANSI/NFPA or country specific electrical code.
- Do not work alone under hazardous conditions.
- Check that the power cord(s), plug(s), and sockets are in good condition.
- To reduce the risk of electric shock when grounding, disconnect the equipment from the AC power outlet before installing or connecting to other equipment. Reconnect the power cord only after all connections are made.
- Use one hand, whenever possible, to connect or disconnect signal cables to avoid a possible shock from touching two surfaces with different electrical grounds.
- Connect the equipment to a three-wire AC outlet (two poles plus ground). The receptacle must be connected to appropriate branch circuit/mains protection (fuse or circuit breaker). Connection to any other type of receptacle may result in a shock hazard.
- In order to maintain compliance with the EMC directive, output cords attached to the UPS should not exceed 10 meters in length.

## DEENERGIZING SAFETY

- If the equipment has an internal energy source (battery), the output may be energized when the unit is not connected to an AC power outlet.
- To deenergize **pluggable equipment**: first press the OFF button for more than one second to switch the equipment off. Disconnect the equipment from the AC power outlet. Unplug the battery connector. Push the ON button to deenergize the capacitors.
- Pluggable equipment includes a protective earth conductor that carries the leakage current from the load devices (computer equipment). Total leakage current must not exceed 3.5 mA.
- Use of this equipment in life support applications where failure of this equipment can reasonably be expected to cause the failure of the life support equipment or to significantly affect its safety or effectiveness is not recommended.

## BATTERY SAFETY

- This equipment contains potentially hazardous voltages. Do not attempt to disassemble the unit. The only exception is for equipment containing batteries. Battery replacement using the procedures below is permissible. Except for the battery, the unit contains no user serviceable parts. Repairs are to be performed only by factory trained service personnel.
- Do not dispose of batteries in a fire. The batteries may explode.
- Do not open or mutilate batteries. They contain an electrolyte that is toxic and harmful to the skin and eyes.
- Do not connect the terminals of a battery or battery pack with a wire or other electrically conductive objects.
- To avoid personal injury due to energy hazard, remove wristwatches and jewelry such as rings when replacing the batteries. Use tools with insulated handles.
- Replace batteries with the same number and type of batteries or battery packs as originally installed in the equipment.

## BATTERY REPLACEMENT AND RECYCLING

See your dealer or visit the Schneider Electric web site, [www.schneider-electric.com](http://www.schneider-electric.com) for information on replacement battery kits and battery recycling.



Be sure to return the used battery to Schneider Electric for recycling. Ship it to Schneider Electric in the replacement battery packing material.

## 2: INSTALLATION

### UNPACKING

The packaging is recyclable; save it for reuse or dispose of it properly.

Check the package contents. The shipping package contains the UPS (with batteries disconnected); the front bezel (packaged separately); feet (required in tower configuration); and a literature kit with a software CD, one serial cable, power cord(s), screws for the feet, and product documentation.



The UPS is shipped with the battery disconnected and the front bezel removed. You will connect the battery and install the plastic bezel (described later) during the installation procedure.

### POSITIONING THE UPS

Place the UPS where it will be used. **The UPS is heavy.** It requires two people for installation due to its weight. To lighten the UPS, you may remove the battery while you position the UPS.

See *Removing the Battery Pack*, below, for instructions. **Select a location sturdy enough to handle the weight.**

You must install the UPS in a protected area that is free of excessive dust and has adequate airflow. Ensure the air vents on the front and rear of the UPS are not blocked. Allow at least one inch of space on each side.

Do not operate the UPS where the temperature and humidity are outside the specified limits. Refer to Characteristics on the Schneider Electric web site, [www.schneider-electric.com](http://www.schneider-electric.com).

Placement

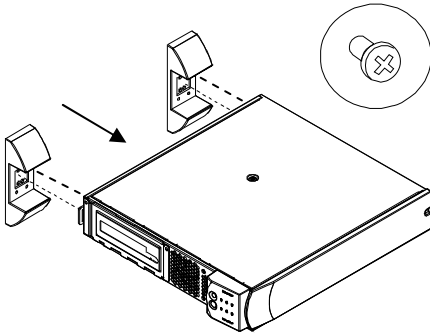


## INSTALLATION

### 1. ATTACH THE SUPPORT FEET

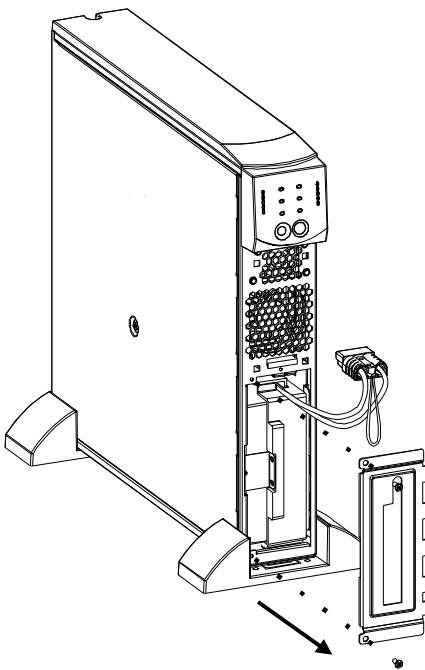


If the UPS is to be operated in Tower Configuration the support feet must be attached for proper stability.



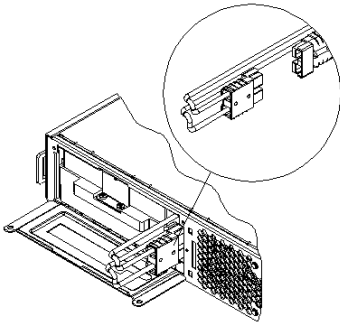
1. Locate the two feet and the plastic bag containing the four screws packed with the UPS.
2. Gently lay the UPS on its side as shown.
3. Use the screws to attach the support feet securely to the bottom of the UPS in the holes provided.
4. Carefully stand the unit upright upon the support feet.

### 2. REMOVE THE BATTERY DOOR



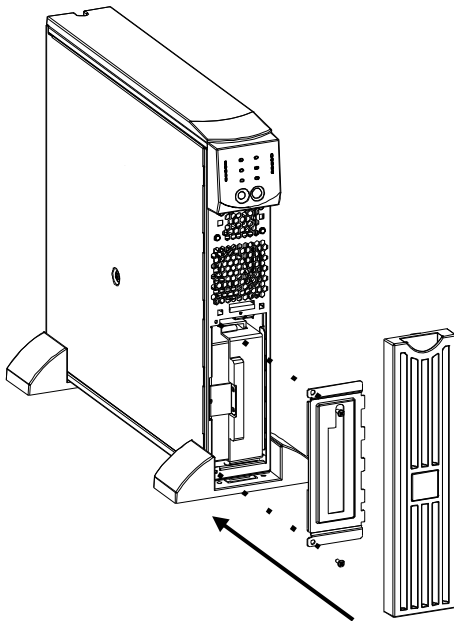
1. Facing the front of the UPS, locate the battery compartment. The battery connector is hanging from cables that lead through a hole in the battery door and into the battery compartment.
2. Use a screwdriver to remove the two battery door screws located at the left side corners of the battery door. Set the screws aside in a safe place. You will replace them later.
3. Remove the battery door by sliding it along the cables and past the connector (the connector will fit through the hole in the battery door). Set the battery door aside.

### **3. CONNECT THE BATTERY**



1. To connect the battery, push the battery connector into the receptacle in the battery compartment. Press firmly to ensure a tight connection. You will hear a snap when the connector is seated properly.
2. Push the battery cables and white cord into the space with the battery connector.

### **4. ATTACH BATTERY DOOR AND FRONT BEZEL**




1. Replace the battery door and screw the two battery door screws back into the corners of the battery door. The battery door will cover the battery cables and white cord.
2. The UPS is shipped with the front bezel removed and packed separately within the main box. Unpack the bezel and hold it with the cutout section on top. Slide the tab on the bottom of the bezel into the slot on the bottom of the UPS. Gently snap the top of the bezel into place. The bezel can be removed by carefully unsnapping the top, and then sliding the bezel up and out of the tab on the bottom of the UPS.

### **5. CONNECT THE EQUIPMENT TO THE UPS AND CONNECT THE UPS TO THE AC POWER SUPPLY**

1. On the back panel, plug the female end of the power cord into the receptacle. Then plug the male end into a two-pole, three-wire, grounded receptacle. Avoid using extension cords and adapter plugs.
2. Connect the equipment to the UPS using the power cords provided with the equipment.
3. Turn on all connected equipment. To use the UPS as a master ON/OFF switch, be sure all connected equipment is switched on. The equipment will not be powered until the UPS is turned on.



## 6. TURN ON THE UPS

**Make sure the battery is connected before turning on the UPS!** Press the  button on the front panel to power up your UPS. This will turn on connected equipment if that equipment is switched on.

The UPS charges its battery when it is connected to utility power. The battery charges fully during the first 24 hours of normal operation. **Do not** expect full run time during this initial charge period.

The unit performs a self-test automatically when turned on and every two weeks thereafter by default. Refer to the *User Configurable Items* section of this manual, below, for details on changing the default interval.

To turn on the UPS when no utility power is present, see the Cold Start function in the *Operations* section of this manual.

## 7. ACCESSORIES (OPTIONAL)

This UPS is equipped with an accessory slot.

Refer to the Schneider Electric web site, [www.schneider-electric.com](http://www.schneider-electric.com), for available accessories.

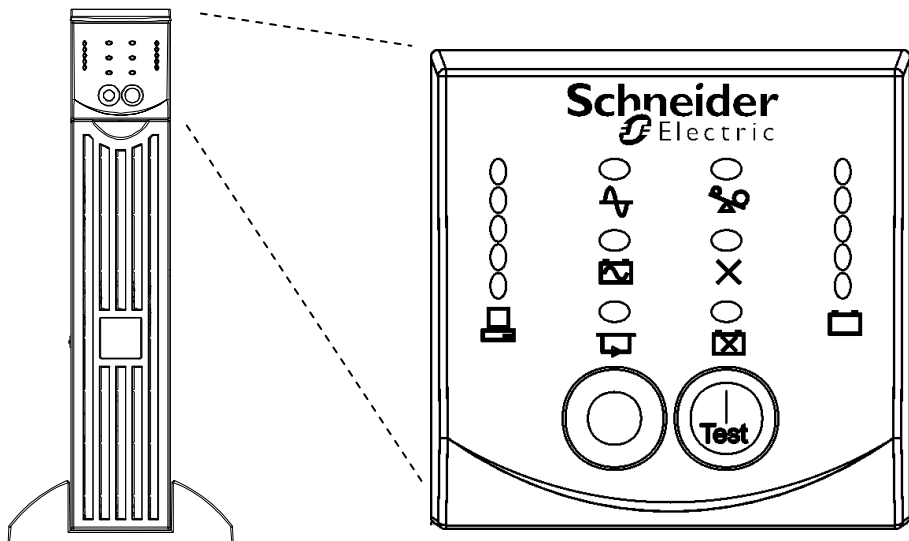
For additional computer system security, install PowerChute™ *Business Edition*, Smart-UPS monitoring software. It provides automatic unattended shutdown capabilities on most major network operating systems. PowerChute *Business Edition* and its documentation are included on the CD that is packed with this UPS.




## 3: OPERATION

### INDICATORS AND CONTROLS

The UPS power control and operating indicators are located on the front display panel. The input and output connectors are on the rear panel.

### FRONT PANEL




The ON  and OFF  buttons power the UPS and act as master controls for the connected equipment if connected equipment is switched on. The UPS remains on as long as it is attached to utility power and the  switch is not pressed.

## OPERATION

### Power


#### On

Press and release the  button to supply power to the UPS and connected equipment.



#### Cold Start


When the UPS is off and there is no utility power, use the cold start feature to apply power to the connected equipment from the UPS battery. Cold start is not

a normal condition. To cold start the unit, push and hold the  button. You will hear a short beep then a long beep. During the long beep, release the button and the unit will cold start.

The charger maintains battery charge when the UPS is plugged in and utility voltage is present.

### Power

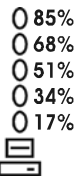
#### Off

Press and release the  button to turn off power to the UPS and connected equipment.



### Load

The five-LED display on the left of the front panel shows the percentage of available power used by the connected equipment (load). For example, if three LEDs are lit, the connected load is drawing between 51% and 68% of the UPS capacity. If all five LEDs are lit, the connected load is drawing between 85% and 100% of capacity. Thoroughly test your entire system to make sure that the UPS will not become overloaded. In the graphic to the left, the load capacity threshold is listed next to the LED (these values are not listed on the UPS).




## SELF-TEST

### Auto- matic Self- Test

The UPS performs a self-test automatically when turned on, and every two weeks thereafter (by default). Refer to the *User Configurable Items* table, below, for details on changing the default interval.

Automatic self-test eases maintenance requirements by eliminating the need for periodic manual self-tests. During the self-test, the UPS briefly operates the connected equipment on battery. If the UPS passes the self-test, it returns to online operation. If the UPS fails the self-test, the UPS lights the **Replace**


**Battery** LED  and immediately returns to online operation. The connected equipment is not affected by a failed test. To confirm a self-test, failure, recharge the battery for 24 hours and perform another self-test. If it fails, the battery must be replaced.


### Manual Self- Test

Press and hold the  button until the UPS beeps twice to initiate the self-test.


## UTILITY POWER

During normal operation, the UPS monitors the utility power and delivers power to the connected equipment. If your system is experiencing excessive periods of high or low voltage, have a certified electrician check your facility for electrical problems. If the problem continues, contact the utility company for further assistance.

**Online**  The online indicator illuminates when the UPS is drawing utility power and performing double-conversion to supply clean power to the connected equipment.

**Utility Voltage**  The UPS has a diagnostic feature that displays the utility voltage. Plug the UPS into the normal utility power.

0 266  
0 248  
0 229  
0 210  
0 192

Press and hold the  button to view the utility voltage bar graph display. After a few seconds the five LED display on the right of the front panel shows the utility input voltage. Refer to the figure at left for the voltage reading (values are not listed on the UPS).





The UPS starts a self-test as part of this procedure. The self-test does not affect the voltage display.

The display indicates the voltage is between the displayed value on the list and the next higher value. For example, with three LEDs lit, the input voltage is between 229 and 248 Vac.

If no LEDs are lit and the UPS is plugged into a working AC power outlet, the line voltage is extremely low.

If all five LEDs are lit, the line voltage is extremely high and should be checked by an electrician.

**Bypass**  This LED illuminates to indicate the UPS is in Bypass mode. Battery backup is not available while in this mode. Utility power is being sent directly to connected loads. The UPS transfers to this mode due to a command received via the computer interface port or after a UPS internal fault.

**Fault**  This LED illuminates to indicate the UPS has detected an internal fault. Refer to the Troubleshooting section for details.

## BATTERY POWER

If the utility power fails, the UPS can provide power to the connected equipment from its internal batteries for a finite period. The UPS sounds an alarm—four beeps every 30 seconds—while operating on battery. The alarm stops when the UPS returns to online operation.

**On Battery** When the **On Battery** indicator is lit the UPS is supplying power to the connected equipment from its batteries.



### Battery Charge

- 96%
- 72%
- 48%
- 24%
- 0%




The five LED display on the right of the front panel shows the present charge of the UPS battery as a percentage of the battery capacity. When all five LEDs are lit, the battery is fully charged. The LEDs extinguish, from top to bottom, as the battery capacity diminishes. Refer to the figure at left for the battery capacity threshold (values are not listed on the UPS).

As a low battery warning, any LEDs illuminated (for the given capacity) flash and the UPS beeps continuously. The low battery warning default setting can be changed in terminal mode or through the optional PowerChute software. Refer to *User Configurable Items*, below.

### Over-load



The UPS emits a sustained alarm tone and this LED illuminates when an overload condition occurs. An overload condition occurs when the connected equipment exceeds the specified “maximum load” as defined in the Characteristics on the Schneider Electric web site.

The UPS may transfer to Bypass mode during an overload event. If this occurs, the UPS can then be returned to online mode by pressing the  button. Disconnect nonessential equipment from the UPS to eliminate an overload.

### Replace Battery

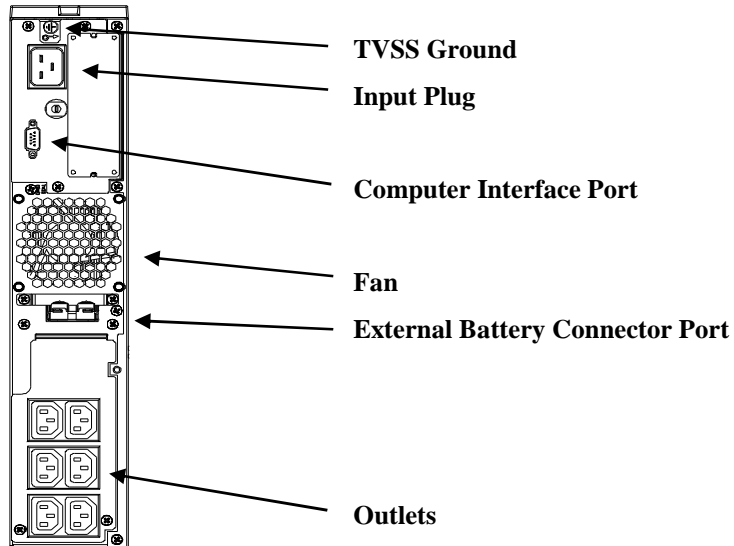


Failure of a battery self-test causes the UPS to emit short beeps for one minute and the *Replace Battery* LED illuminates. The UPS repeats the alarm every five hours. The LED flashing indicates the battery is disconnected. The UPS repeats the alarm every five hours. Check that the battery pack is connected properly. If it is, perform the self-test procedure after the battery has charged for 24 hours to confirm the need to replace the battery. The alarm stops if the battery passes the self-test.

## SHUTDOWN MODE

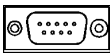
In shutdown mode, the UPS stops supplying power to the connected equipment, waiting for the return of utility power. If there is no utility power present, external devices (such as servers) connected via the computer interface port or the accessory slot can command the UPS to shut down. This normally is done to preserve battery capacity after the shutdown of protected servers. The UPS scrolls the front panel indicators sequentially in shutdown mode.

## REAR PANEL



### BASIC CONNECTORS

#### Computer Interface Port



#### TVSS Screw

#### External Battery Connector Port



#### Input Circuit Breaker

Power management software and interface kits can be used with the UPS. **Use only interface kits supplied or approved by Schneider Electric.** If used, connect the interface cable to the 9-pin computer interface port. Secure the connector screws to complete the connection.

**Use the supplied cable to connect to the Computer Interface Port. DO NOT use a standard serial interface cable since it is incompatible with the UPS connector.**

The UPS features a transient voltage surge suppression (TVSS) screw for connecting the ground lead on surge suppression devices such as telephone and network line protectors.

External battery packs can be obtained to connect to your UPS and give longer runtime during power outages. If used, unscrew the protective plate from in front of the connector port and insert the cable supplied with the battery pack into the connector port. Battery Packs can be daisy chained together to achieve desired run time.

To connect optional external battery pack(s) to the UPS, refer to the *SR1 Battery Pack User Manual* for instructions. This Smart-UPS SR1 can support a maximum of 10 external battery packs.

If the plunger on the circuit breaker pops out, reduce the load on the UPS by unplugging equipment and press the plunger in.

## ON BATTERY OPERATION

The UPS switches to battery operation automatically and an internal alarm sounds (periodic beeps) if the utility power fails. Press the ON button (front panel) to silence the UPS alarm until low battery (for the current outage only). You can change the audible indicator if you are using PowerChute software. If the utility power does not return, the UPS continues to supply power to the connected equipment until exhausted. The UPS will begin to beep continuously approximately two minutes before final low battery shutdown by default. If you are using a computer, you must manually save your files and power down before the UPS turns off, unless you are using PowerChute interface software that provides automatic, unattended shutdown.



UPS battery life differs based on usage and environment. It is recommended that the battery pack be changed once every three years.

## USER CONFIGURABLE ITEMS

**NOTE: SETTING THESE ITEMS REQUIRES SOFTWARE, OPTIONAL HARDWARE, OR CONFIGURATION IN TERMINAL MODE.**

<i>FUNCTION</i>	<i>FACTORY DEFAULT</i>	<i>USER SELECTABLE CHOICES</i>	<i>DESCRIPTION</i>
Automatic Self-Test	Every 14 days (336 hours)	Every 7 days (168 hours), On Startup Only, No Self-Test	This function sets the interval at which the UPS will execute a self-test. Refer to your software manual for details.
UPS ID	UPS_IDEN	Up to eight characters to define the UPS	Use this field to uniquely identify the UPS for network management purposes.
Date of Last Battery Replacement	Manufacture Date	Date of Battery Replacement	Reset this date when you replace the battery pack.
Minimum Capacity Before Return from Shutdown	0 percent	15, 25, 35, 50, 60, 75, 90 percent	The UPS will charge its batteries to the specified percentage before return from a shutdown.
Duration of Low Battery Warning	2 minutes	5, 7, 10, 12, 15, 18, 20 minutes	This function sets the time before shutdown at which the UPS issues a low battery warning. Set it higher than the default if the operating system needs more time for shutdown.
Alarm Delay After Line Fail	5 second delay	30 second delay, At Low Battery Condition, No Alarm	Set the alarm delay to avoid alarms for minor power glitches.
Shutdown Delay	20 seconds	0, 60, 120, 240, 480, 720, 960 seconds	This function sets the interval between when the UPS receives a shutdown command and when shutdown occurs.

<b>NOTE: SETTING THESE ITEMS REQUIRES SOFTWARE, OPTIONAL HARDWARE, OR CONFIGURATION IN TERMINAL MODE.</b>			
<i><b>FUNCTION</b></i>	<i><b>FACTORY DEFAULT</b></i>	<i><b>USER SELECTABLE CHOICES</b></i>	<i><b>DESCRIPTION</b></i>
Synchronized Turn on Delay	0 seconds	20, 60, 120, 240, 480, 720, 960 seconds	The UPS will wait the specified time after the return of utility power before turn on (for example, to avoid branch circuit overload).
Output Voltage Setting	230 Vac	240, 220, 225 Vac	Nominal output voltage setting.
High Transfer Point	+ 10% of output voltage setting	+5%, +15%, +20%	Maximum voltage that the UPS will pass to the load during internal bypass operation.
Low Transfer Point	-15% of output voltage setting	-20%, -25%, -30%	Minimum voltage that the UPS will pass to the load during internal bypass operation.
Output Frequency	Automatic	50 ± 3 Hz, 50 ± 0.1 Hz, 60 ± 3 Hz, 60 ± 0.1 Hz	Sets the allowable output frequency of the UPS. Whenever possible, the output frequency tracks the input frequency. Automatic setting allows 50 +/-3 or 60 +/-3 Hz depending on the input frequency.
Unit Position	Tower	Rack Mount	The operating configuration of the UPS. Optional Rail Kit SURTRK is required to convert to rack mount configuration.
Number of External Battery Packs	0	Number of connected battery packs.	Defines number of attached external battery packs for proper runtime prediction. Do not include the internal pack in this number.

## **TERMINAL MODE**

Terminal mode is a menu driven interface that allows for enhanced configuration of the UPS. This interface can be accessed using a computer and a common serial communication application, such as Hyperterminal. To enter and use the Terminal Mode:

1. Connect a computer to the UPS using the cable supplied with your UPS.
2. Launch a standard serial communication application, such as Hyperterminal.
3. Specify the communications port (comm. port) to which you have connected.
4. Set the following properties: 2400 baud, 8 data bits, no parity, one stop bit, and no flow control.
5. Press the Enter or return key.
6. Follow the instructions on the screen to continue in Terminal Mode.



## 4:

## MAINTENANCE AND TROUBLESHOOTING

### STORAGE

#### ***STORAGE CONDITIONS:***

Store the UPS in a cool, dry location, with its batteries fully charged. Disconnect any cables connected to the computer interface port to avoid unnecessary battery drainage.

#### ***EXTENDED STORAGE:***

At -15° to +30 °C (+5° to +86° F), charge the UPS battery every six months.

At +30° to +45 °C (+86° to +113° F), charge the UPS battery every three months.

### REPLACE THE BATTERY PACK

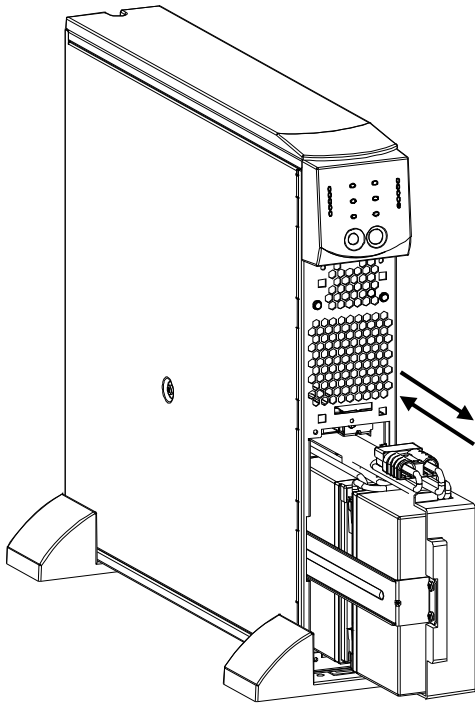
This UPS has an easy to replace, hot swappable battery pack. Replacement is a safe procedure, isolated from electrical hazards. You may leave the UPS and connected equipment on while replacing the battery. See your dealer or contact Schneider Electric for information on replacement battery packs. This procedure is used in both Tower and Rack Mount configurations.



Once the battery is disconnected, the loads are not protected from power outages.

#### ***REMOVE AND REINSTALL THE BATTERY PACK***

Be careful during removal and replacement of the battery pack; it is heavy.



### Remove Battery

1. Remove front bezel and the battery door if they are attached. (See the instructions in the **Installation** section of this manual to remove the battery door and front bezel.)
2. If the battery is connected, disconnect the battery by pulling on the connector firmly.
3. Grasp the battery pack and slide it out of the unit. It will stop when it is almost completely out of the UPS. Gently move the battery pack up and down to clear the stop tab and slide it completely out. The cables are attached to the battery compartment. **DO NOT** pull on the cables or the white cord while removing the battery.

### Install Battery

1. Supporting the battery pack on the bottom, align it with the opening and slide the battery pack into the compartment.
2. Reconnect the battery to operate the UPS. Reattach the battery door and front bezel. (See instructions in the **Installation** section of this manual to attach the battery door and front bezel)

Return used battery packs to Schneider Electric for recycling.

## TROUBLESHOOTING

Use the chart below to solve minor UPS installation problems.

Refer to the APC by Schneider Electric web site [www.apc.com](http://www.apc.com) for assistance with complex UPS problems.

PROBLEM AND POSSIBLE CAUSE	SOLUTION
----------------------------	----------

PROBLEM AND POSSIBLE CAUSE	SOLUTION
<b>UPS WILL NOT TURN ON</b>	
<p>ON button not pushed.</p> <p>UPS not connected to power supply.</p> <p>UPS input circuit breaker tripped.</p> <p>Very low or no utility voltage.</p> <p>Battery not connected properly.</p>	<p>Press the ON button once to power the UPS and the equipment.</p> <p>Check that the power cable from the UPS to the utility power supply is securely connected.</p> <p>Reduce the load on the UPS by unplugging equipment and resetting the circuit breaker (on the back of UPS) by pressing the plunger in.</p> <p>Check the AC power supply to the UPS by plugging in a table lamp. If the light is very dim, have the utility voltage checked.</p> <p>Check that the battery connector is fully engaged.</p>
<b>UPS OPERATES ON BATTERY ALTHOUGH NORMAL LINE VOLTAGE EXISTS</b>	
<p>UPS input circuit breaker tripped.</p> <p>Very high, low, or distorted line voltage. Inexpensive fuel powered generators can distort the voltage.</p>	<p>Reduce the load on the UPS by unplugging equipment and resetting the circuit breaker (on the back of UPS) by pressing the plunger in.</p> <p>Move the UPS to a different outlet on a different circuit. Test the input voltage with the utility voltage display.</p>
<b>BYPASS LED IS LIT, THE OVERLOAD LED IS LIT, AND THE FAULT LED IS LIT</b>	
<p>Too many loads have been connected to the UPS.</p>	<p>Remove all nonessential loads. Push the ON button to restore power.</p>
<p>External overload condition.</p>	<p>Wait until overload condition passes. You may need to push the ON button to reset the UPS.</p>
<b>FAULT LED IS LIT, THE OVERLOAD LED IS LIT, AND THE BYPASS LED IS NOT LIT</b>	
<p>Overload condition.</p>	<p>Remove all nonessential loads. Push the OFF button, then the ON button to restore power.</p>
<b>FAULT LED IS LIT AND THE OVERLOAD LED IS NOT LIT</b>	
<p>Internal UPS fault.</p>	<p>Do not attempt to use the UPS. Turn the UPS off and have it serviced immediately.</p>
<b>REPLACE BATTERY LED IS LIT</b>	
<p>Weak battery.</p> <p>Battery not connected properly.</p>	<p>Allow the battery to recharge for at least 24 hours. Then, perform a self-test. If the problem persists after recharging, replace the battery.</p> <p>Check that the battery connector is fully engaged.</p>
<b>UPS BEEPS OCCASIONALLY</b>	
<p>Normal UPS operation.</p>	<p>None. The UPS is protecting the connected equipment.</p>
<b>UPS DOES NOT PROVIDE EXPECTED BACKUP TIME</b>	
<p>Batteries are weak due to recent outage or are near end of service life.</p>	<p>Charge the batteries. Batteries require recharging after extended outages. They wear faster when put into service often or when operated at elevated temperatures. If the battery pack is near the end of its service life, consider replacing it even if the <i>Replace Battery</i> LED is not yet lit.</p>
<b>FRONT PANEL INDICATORS FLASH SEQUENTIALLY</b>	
<p>UPS was shut down remotely.</p>	<p>None. The UPS will restart automatically when utility power returns.</p>

## 5:

## TRANSPORT, SERVICE, AND WARRANTY

### TRANSPORT

1. Shut down and disconnect all connected equipment.
2. Disconnect the unit from utility power.
3. Disconnect all internal and external batteries (if applicable).
4. Follow the shipping instructions outlined in the *Service* section of this manual.

### SERVICE

If the unit requires service, do not return it to the dealer. Follow these steps:

1. Review the *Troubleshooting* section of the manual to eliminate common problems.
2. If the problem persists, contact APC by Schneider Electric Customer Support through the APC by Schneider Electric web site, **www.apc.com**.
  - a. Note the model number and serial number and the date of purchase. The model and serial numbers are located on the rear panel of the unit and are available through the LCD display on select models.
  - b. Call Customer Support and a technician will attempt to solve the problem over the phone. If this is not possible, the technician will issue a Returned Material Authorization Number (RMA#).
  - c. If the unit is under warranty, the repairs are free.
  - d. Service procedures and returns may vary internationally. Refer to the APC by Schneider Electric web site, **www.apc.com** for country specific instructions.
3. Pack the unit properly to avoid damage in transit. Never use foam beads for packaging. Damage sustained in transit is not covered under warranty.
  - a. **Note: When shipping within the United States, or to the United States always DISCONNECT ONE UPS BATTERY before shipping in compliance with U.S. Department of Transportation (DOT) and IATA regulations.** The internal batteries may remain in the UPS.
  - b. Batteries may remain connected in the XBP during shipment. Not all units utilize XBPs.
4. Write the RMA# provided by Customer Support on the outside of the package.
5. Return the unit by insured, prepaid carrier to the address provided by Customer Support.

## LIMITED WARRANTY

Schneider Electric IT Corporation (SEIT) warrants its products to be free from defects in materials and workmanship for a period of two (2) years from the date of purchase. The SEIT obligation under this warranty is limited to repairing or replacing, at its own sole option, any such defective products. Repair or replacement of a defective product or parts thereof does not extend the original warranty period.

This warranty applies only to the original purchaser who must have properly registered the product within 10 days of purchase. Products may be registered online at [warranty.apc.com](http://warranty.apc.com).

SEIT shall not be liable under the warranty if its testing and examination disclose that the alleged defect in the product does not exist or was caused by end user or any third person misuse, negligence, improper installation, testing, operation or use of the product contrary to SEIT recommendations or specifications. Further, SEIT shall not be liable for defects resulting from: 1) unauthorized attempts to repair or modify the product, 2) incorrect or inadequate electrical voltage or connection, 3) inappropriate on site operation conditions, 4) Acts of God, 5) exposure to the elements, or 6) theft. In no event shall SEIT have any liability under this warranty for any product where the serial number has been altered, defaced, or removed.

**EXCEPT AS SET FORTH ABOVE, THERE ARE NO WARRANTIES, EXPRESS OR IMPLIED, BY OPERATION OF LAW OR OTHERWISE, APPLICABLE TO PRODUCTS SOLD, SERVICED OR FURNISHED UNDER THIS AGREEMENT OR IN CONNECTION HERewith.**

**SEIT DISCLAIMS ALL IMPLIED WARRANTIES OF MERCHANTABILITY, SATISFACTION AND FITNESS FOR A PARTICULAR PURPOSE.**

**SEIT EXPRESS WARRANTIES WILL NOT BE ENLARGED, DIMINISHED, OR AFFECTED BY AND NO OBLIGATION OR LIABILITY WILL ARISE OUT OF, SEIT RENDERING OF TECHNICAL OR OTHER ADVICE OR SERVICE IN CONNECTION WITH THE PRODUCTS.**

**THE FOREGOING WARRANTIES AND REMEDIES ARE EXCLUSIVE AND IN LIEU OF ALL OTHER WARRANTIES AND REMEDIES. THE WARRANTIES SET FORTH ABOVE CONSTITUTE SEIT SOLE LIABILITY AND PURCHASER EXCLUSIVE REMEDY FOR ANY BREACH OF SUCH WARRANTIES. SEIT WARRANTIES EXTEND ONLY TO ORIGINAL PURCHASER AND ARE NOT EXTENDED TO ANY THIRD PARTIES.**

**IN NO EVENT SHALL SEIT, ITS OFFICERS, DIRECTORS, AFFILIATES OR EMPLOYEES BE LIABLE FOR ANY FORM OF INDIRECT, SPECIAL, CONSEQUENTIAL OR PUNITIVE DAMAGES, ARISING OUT OF THE USE, SERVICE OR INSTALLATION OF THE PRODUCTS, WHETHER SUCH DAMAGES ARISE IN CONTRACT OR TORT, IRRESPECTIVE OF FAULT, NEGLIGENCE OR STRICT LIABILITY OR WHETHER SEIT HAS BEEN ADVISED IN ADVANCE OF THE POSSIBILITY OF SUCH DAMAGES. SPECIFICALLY, SEIT IS NOT LIABLE FOR ANY COSTS, SUCH AS LOST PROFITS OR REVENUE, WHETHER DIRECT OR INDIRECT, LOSS OF EQUIPMENT, LOSS OF USE OF EQUIPMENT, LOSS OF SOFTWARE, LOSS OF DATA, COSTS OF SUBSTITUANTS, CLAIMS BY THIRD PARTIES, OR OTHERWISE.**

**NOTHING IN THIS LIMITED WARRANTY SHALL SEEK TO EXCLUDE OR LIMIT SEIT LIABILITY FOR DEATH OR PERSONAL INJURY RESULTING FROM ITS NEGLIGENCE OR ITS FRAUDULENT MISREPRESENTATION OF TO THE EXTENT THAT IT CANNOT BE EXCLUDED OR LIMITED BY APPLICABLE LAW.**

To obtain service under warranty you must obtain a Returned Material Authorization (RMA) number from customer support. Customers with warranty claims issues may access the SEIT worldwide customer support network through the APC by Schneider Electric web site: [www.apc.com](http://www.apc.com). Select your country from the country selection drop down menu. Open the Support tab at the top of the web page to obtain information for customer support in your region. Products must be returned with transportation charges prepaid and must be accompanied by a brief description of the problem encountered and proof of date and place of purchase.



# APC by Schneider Electric Worldwide Customer Support

Customer support for this or any other Schneider Electric product is available at no charge in any of the following ways:

- Visit the APC by Schneider Electric web site, [www.apc.com](http://www.apc.com) to access documents in the APC Knowledge Base and to submit customer support requests.
  - **www.apc.com** (Corporate Headquarters)  
Connect to localized APC by Schneider Electric web site for specific countries, each of which provides customer support information.
  - **www.apc.com/support/**  
Global support searching APC Knowledge Base and using e-support.
- Contact the APC by Schneider Electric Customer Support Center by telephone or e-mail.
  - Local, country specific centers: go to **www.apc.com/support/contact** for contact information.
  - For information on how to obtain local customer support, contact the APC by Schneider Electric representative or other distributor from whom you purchased your Schneider Electric product.

© 2014 APC by Schneider Electric. Smart-UPS and PowerChute are owned by Schneider Electric Industries S.A.S. or their affiliated companies. All other trademarks are property of their respective owners.