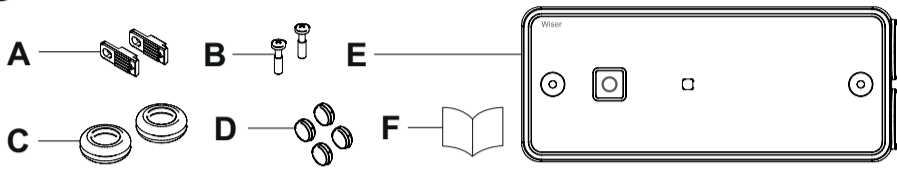


CCTFR6700

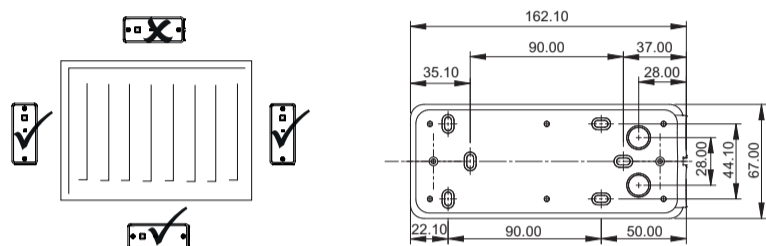
Wiser™



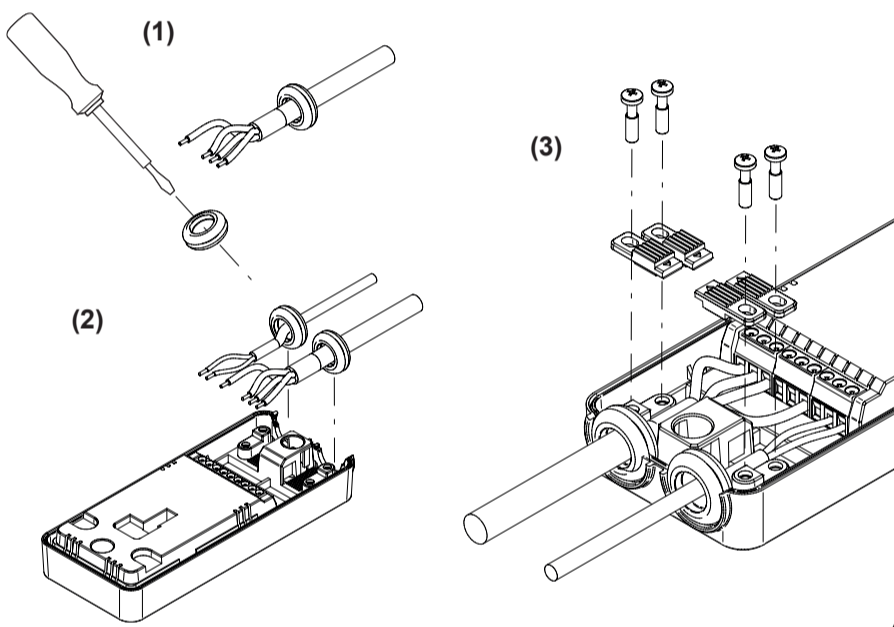
1



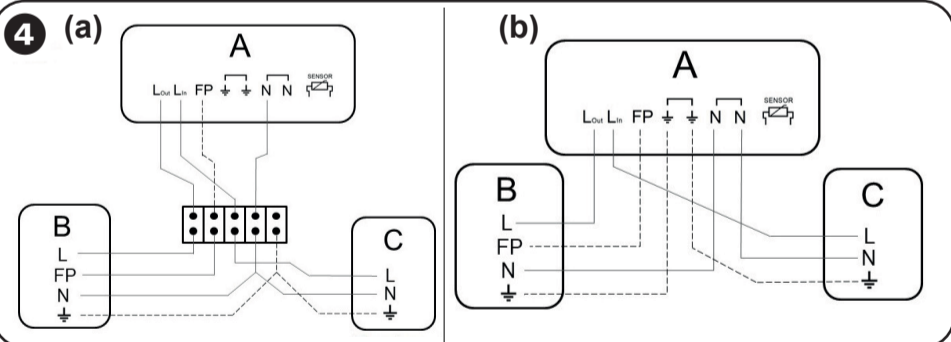
2



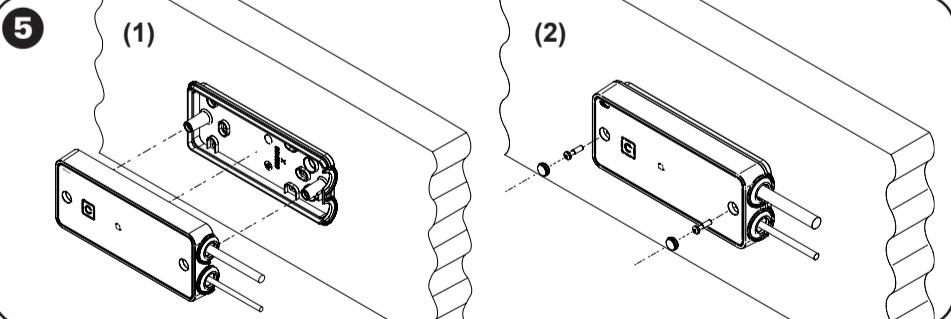
3



4



5



6



en Wiser 16A Relay for Temperature Control

About this product

The Wiser 16A Relay is used to control electrical heaters with On/Off commands or Fil Pilote commands. "The Fil Pilote is a single control wire interface that enable you to control multiple heaters from remote."

TIP: Pair with a room thermostat to control electric radiators.

1 Checking package contents

- A 2x cable clamps
- B 2x cable clamp screws
- C 2x rubber grommets
- D 4x blanking plugs
- E Wiser 16A Relay
- F Instruction leaflet

2 Choosing suitable location to install

Device positioning

The Wiser 16A Relay has to be installed below or to the side of any heat source. It doesn't have to be installed behind and above a wall-mounted heater.

Preparation of the mounting surface

Securely attach the black rear cover to the mounting surface.

TIP: Breakout tabs can be removed to provide 4x extra mounting holes and 2x larger holes for rear cover cable entry.

3 Prepare cable for wiring

⚠️ DANGER

HAZARD OF ELECTRIC SHOCK, EXPLOSION, OR ARC FLASH

Safe electrical installation must be carried out only by skilled professionals. Skilled professionals must prove profound knowledge in the following areas:

- Connecting to installation networks.
- Connecting several electrical devices.
- Laying electric cables.
- Safety standards, local wiring rules and regulations.

Failure to follow these instructions will result in death or serious injury.

- (1) Pierce the rubber grommets with a small screwdriver and thread through the cable. The insulation has to be stripped back 6.5 mm.

NOTE: To help to ensure IP44 ingress protection a tight seal has to exist between the rubber grommets and the cable sheath.

- (2) Place the cables into the front cover receptacles as shown in the image.

- (3) Secure the cable with the cable clamps and screws provided in the package.

NOTE: Cable clamps can be placed in high or low receptacles and can also be flipped to better help secure the cable.

NOTICE

HAZARD OF CONDUCTOR DAMAGE

- For installations with loads of 16 A a minimum of 1.5 mm² conductor should be used.
- When inserting the conductors into the connector blocks make sure that the screws are tightened.

Failure to follow these instructions can result in equipment damage.

4 Wiring connections

Make wiring connections as per one of the following diagrams:

- a. Wiring centre configuration
 - b. In-Out Configuration
- A Wiser 16A Relay
 - B Heater / Load
 - C Supply
 - D External Temperature Sensor

For surface wiring ensure rubber grommets are fitted to cable before wiring into connector blocks.

For In-wall wiring remove the rear cover break out tabs and feed cables through prior to wiring into connector blocks.

TIP: If the heater is equipped with an electronic thermostat, it is highly recommended to control the heater using the Fil Pilote option.

The Fil Pilote wire is always black and it needs to be wired on the FP terminal.

5 Blanking plugs

- (1) Position the front cover over the wall-mounted rear cover, push together and make sure the rubber grommets are properly seated in their receptacles.
- (2) Secure together using two screws located on the front surface. Then place two blanking plugs on the screw heads.

6 Read full device guide online

Scan the QR code and choose your language for complete information about the device, including operation, configuration and using the product with a Wiser system.

Technical data

Rated voltage:	230 V, 50 Hz (AC ONLY)
Power consumption:	7.3 W
Purpose of control:	Electrical Control, Manual + Automatic Control, Sensing Control

Type of load and rated current:	16 A Resistive or (A3) Inductive Load Circuit for pilot load (FP)
IP rating:	IP44
Terminals and Wiring:	Suitable for conductor sizes 1.0 - 2.5 mm ² Insulation strip length 6.5 mm
Operating Temperature:	0 °C to 60 °C
Storage Temperature:	-20 °C to 65 °C
Class of control:	Class II
Method of mounting control:	Independently mounted control
Method of providing earthing control:	The control is not earthed Terminals are provided for linking external earthing conductors
Method of attachment for nondetachable cords:	Type Y attachments
Extent of sensing element: (if installed)	External temperature sensor temperature setting range of 5 °C to 30 °C ±5%
Operating Value:	User variable time control of electrical/heating system (only at system level through Hub controllers)
Degree of pollution:	2
Rated impulse voltage:	4 kV
Ball pressure test:	115 °C
Software class:	A
Radio Technology/ Frequency:	2.4 GHz
Radio signal range:	30 m in free space
Maximum radio frequency power transmitted:	+13 dBm (20 mW)
Product dimensions: (H x W x D)	162 x 67 x 30 mm
Communication protocol:	Zigbee 3.0 certified

Trademarks

Wiser™ is a trademark and the property of Schneider Electric SE, its subsidiaries and affiliated companies.

Zigbee® is a registered trademark of the Zigbee Alliance.

Other brands and registered trademarks are properties of their relevant owners.

EU Declaration of Conformity

Hereby, Schneider Electric Industries, declares that this product is in compliance with the essential requirements and other relevant provisions of RADIO EQUIPMENT DIRECTIVE 2014/53/EU. Declaration of conformity can be downloaded on: se.com/docs.

Schneider Electric Industries SAS

If you have technical questions, please contact the Customer Care Centre in your country.
se.com/contact

