

02300/02310

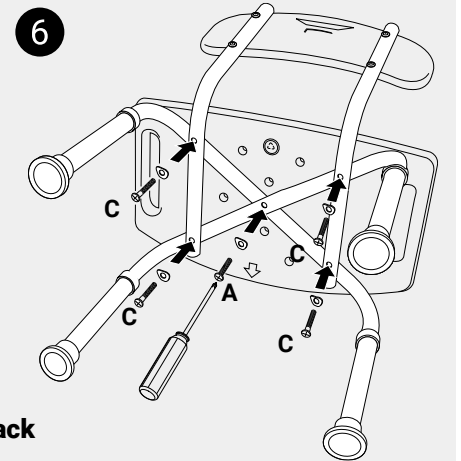
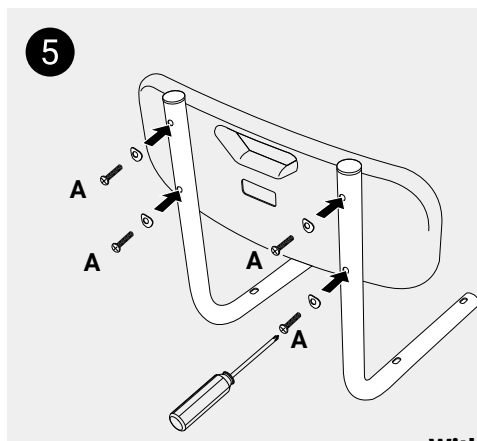
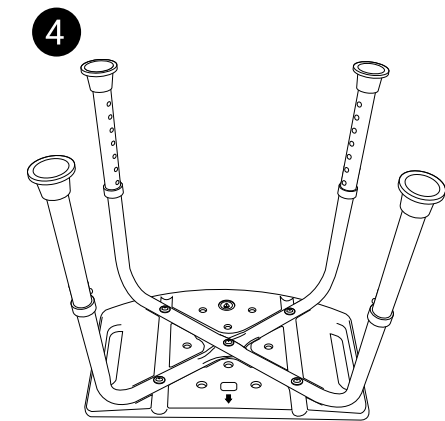
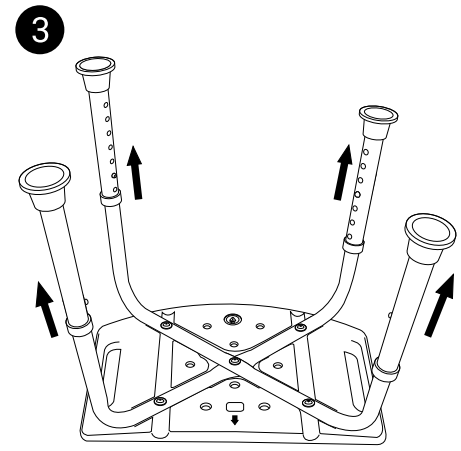
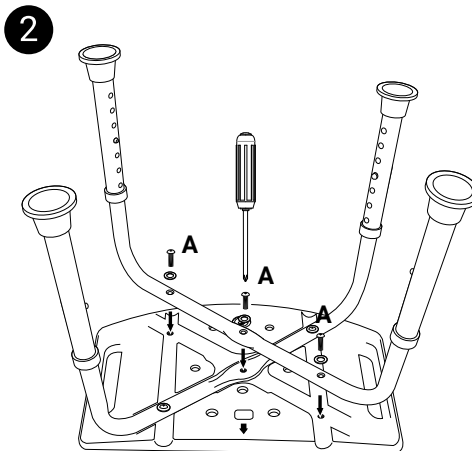
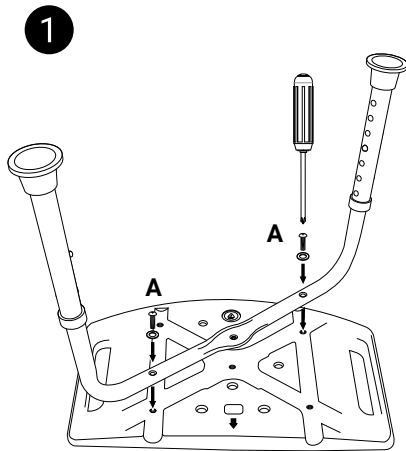
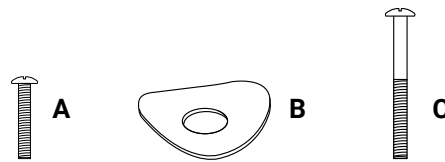
Freestanding Shower Stool

INSTALLATION MANUAL



Freestanding Shower Stool		
A	1½" Fastener	x5
B	Washer	x5

Freestanding Shower Stool With Back		
A	1½" Fastener	x5
B	Washer	x9
C	2½" Fastener	x4



With Back

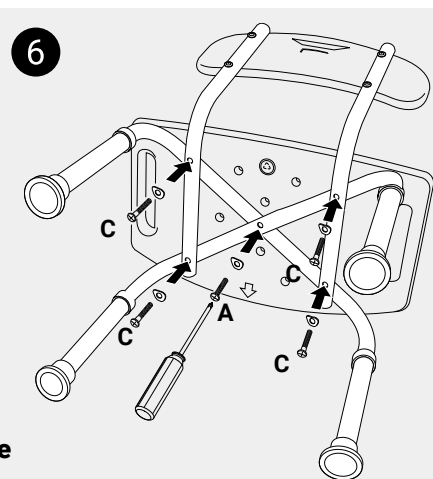
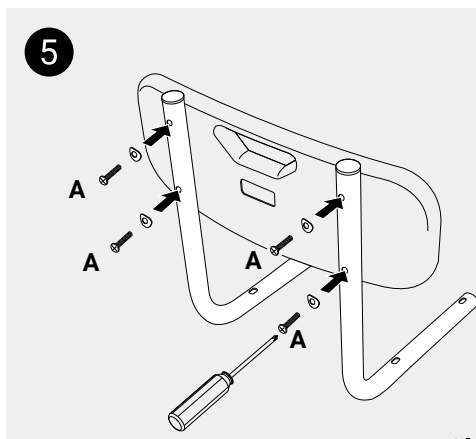
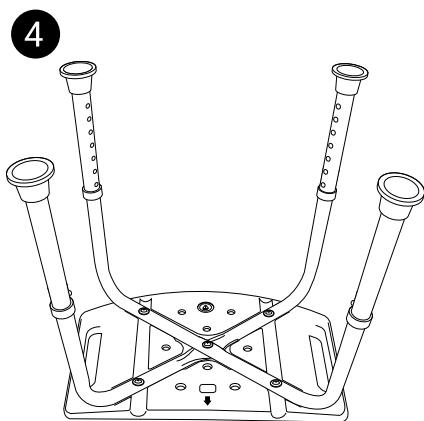
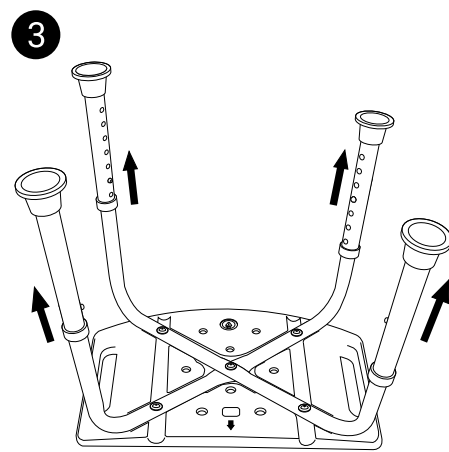
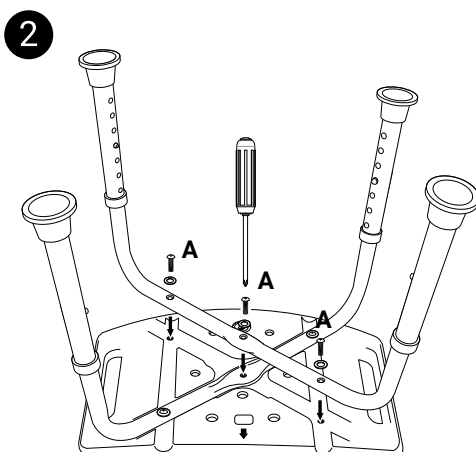
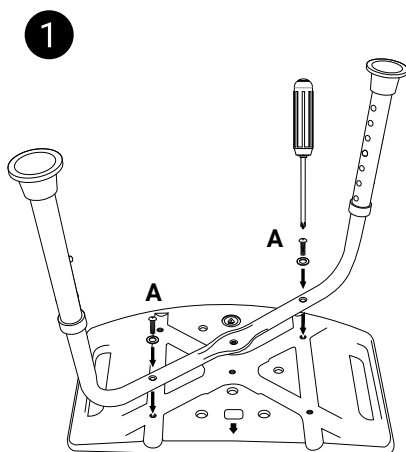
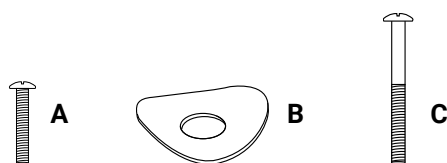
02300/02310 Tabouret et Chaise de Douche

NOTICE D'INSTALLATION



Tabouret de Douche		
A	Vis SS 38 mm	x5
B	Rondelle	x5

Chaise de Douche		
A	Vis SS 38 mm	x5
B	Rondelle	x9
C	Vis SS 63 mm	x4



Chaise