

Protistor® size 121 gR

750VDC

SEMICONDUCTOR PROTECTION FUSES

SQUARE BODY HIGH-SPEED FUSE-LINKS DC PROTECTION



Mersen DC offers provide a very high performant protection for railway power and auxiliary circuits. Mersen DC Semiconductor fuse-links were developed to provide improved performance required by today's new DC equipment. These fuse-links are typically operated at more elevated temperature than other fuse type, have lower I^2t to minimize damage to protected components on short circuits, lower watts loss and longer life.

TECHNICAL DATA OVERVIEW

Voltage DC	750 VDC
Ampere Range (A)	200 ... 250 A
Speed/Characteristic	gR
Product Size	121

FEATURES & BENEFITS

- Multiple body sizes and terminals or blades combination
- gR Class according to IEC 60269-4 and VDE 636-23
- Low I, t for improved semiconductor protection
- Extremely fast acting
- Eliminate all overloads
- Excellent cycling capability

APPLICATIONS

- Protection for inverters, moto drives, UPS systems and similar 750 VDC or less equipments

STANDARDS

- UL/CSA Recognized Component
- IEC 60269-4 Compliance
- CCC GB 1539.4

PRODUCT RANGE



D121GC75V250EF

Size 121 gR 750VDC type EF, blade contacts with striker

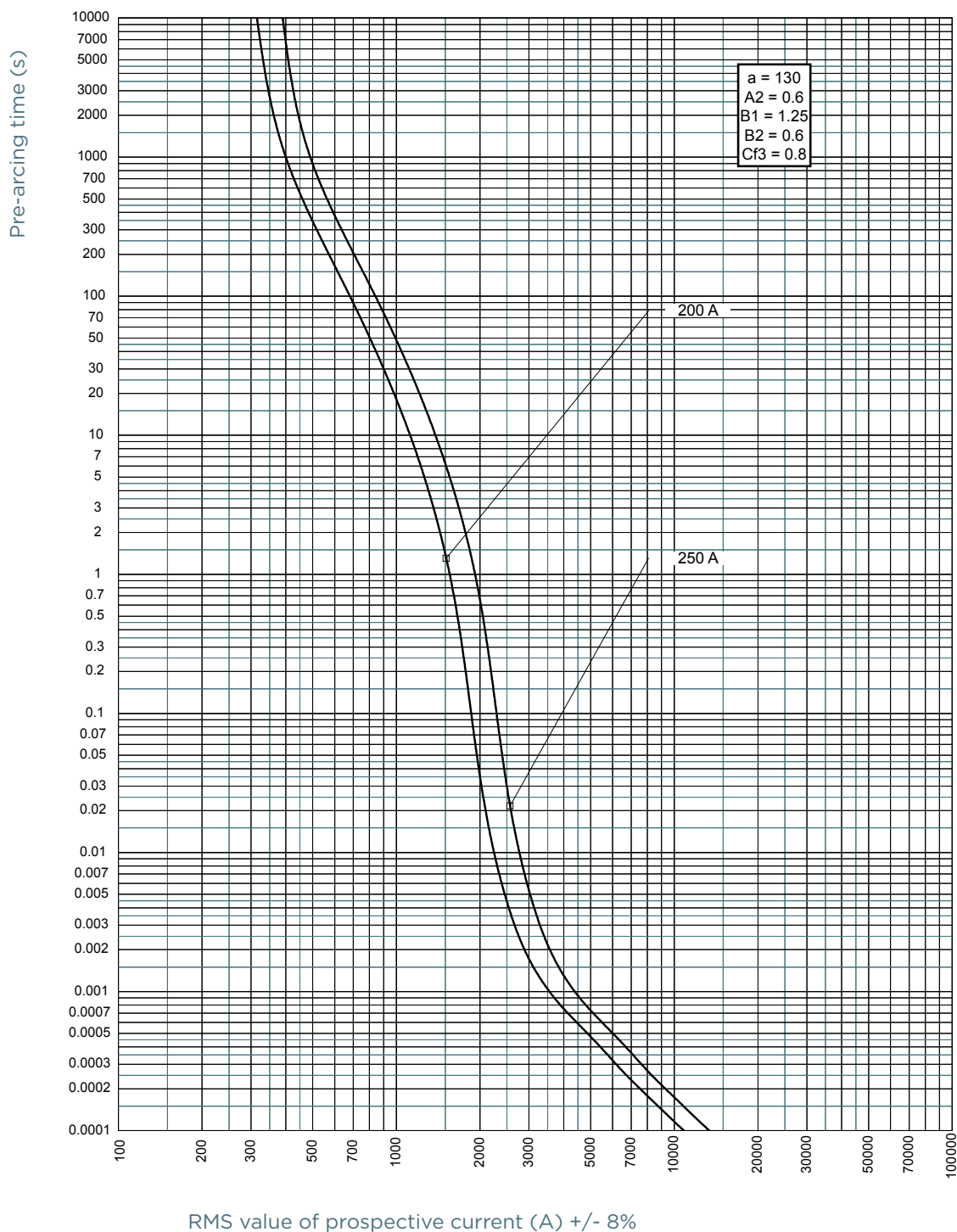
Catalog number	Reference number	Rated current I_n	Pre-arcing I^2t	Clearing I^2t at Rated Voltage	Rated breaking capacity DC	Power dissipation at 0.8 I_n	Power dissipation at I_n	Max. I^2t @900V, L/R=40ms, IP=50 I_n	Max. I^2t @900V, L/R=40ms, IP=10 I_n	Weight
D121GC75V200EF	A086710	200 A	11.85 kA ² s	150 kA ² s	100 kA	20.5 W	37.5 W	150 kA ² s	755 kA ² s	1.023 kg
D121GC75V250EF	M085203	250 A	18.05 kA ² s	250 kA ² s	100 kA	25.5 W	46.7 W	250 kA ² s	1250 kA ² s	1.023 kg



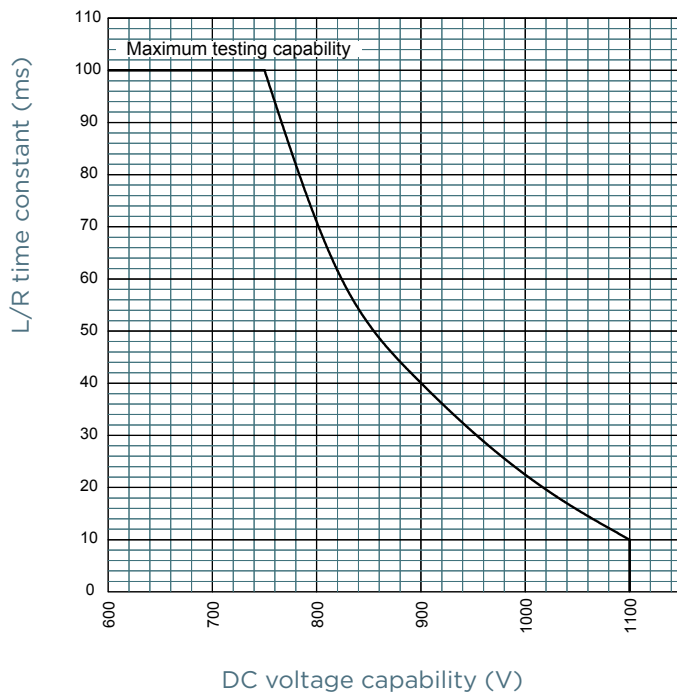
Size 121 gR 750VDC type TTF, threads terminals with striker

Catalog number	Reference number	Rated current I_n	Pre-arcing I^2t	Clearing I^2t at Rated Voltage	Rated breaking capacity DC	Power dissipation at 0.8 I_n	Power dissipation at I_n	Max. I^2t @900V, L/R=40ms, IP=50 I_n	Max. I^2t @900V, L/R=40ms, IP=10 I_n	Weight
D121GC75V200TF	N085250	200 A	11.85 kA ² s	150 kA ² s	100 kA	20.5 W	37.5 W	150 kA ² s	755 kA ² s	0.88 kg
D121GC75V250TF	Q085252	250 A	18.05 kA ² s	250 kA ² s	100 kA	25.5 W	46.7 W	250 kA ² s	1250 kA ² s	0.88 kg

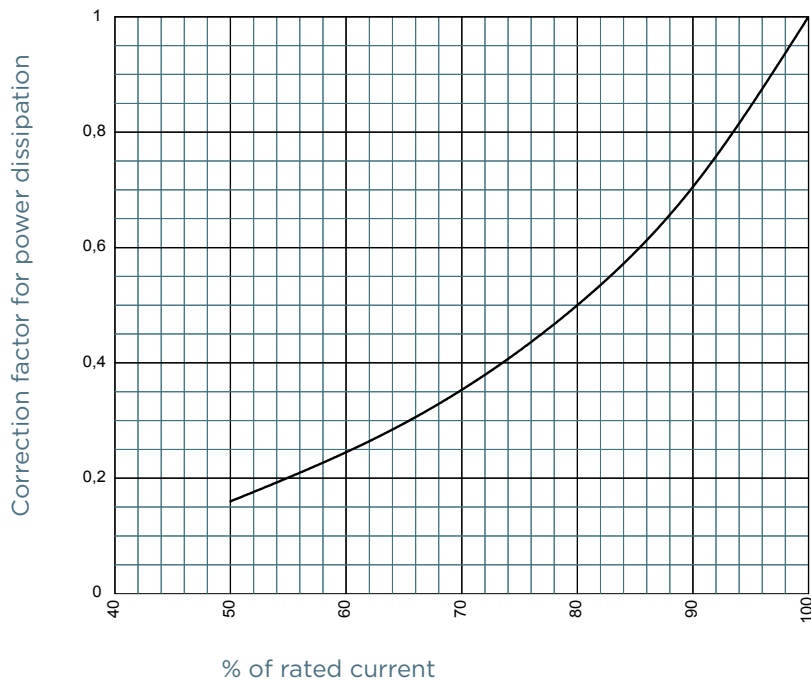
TIME CURRENT CHARACTERISTIC CURVES



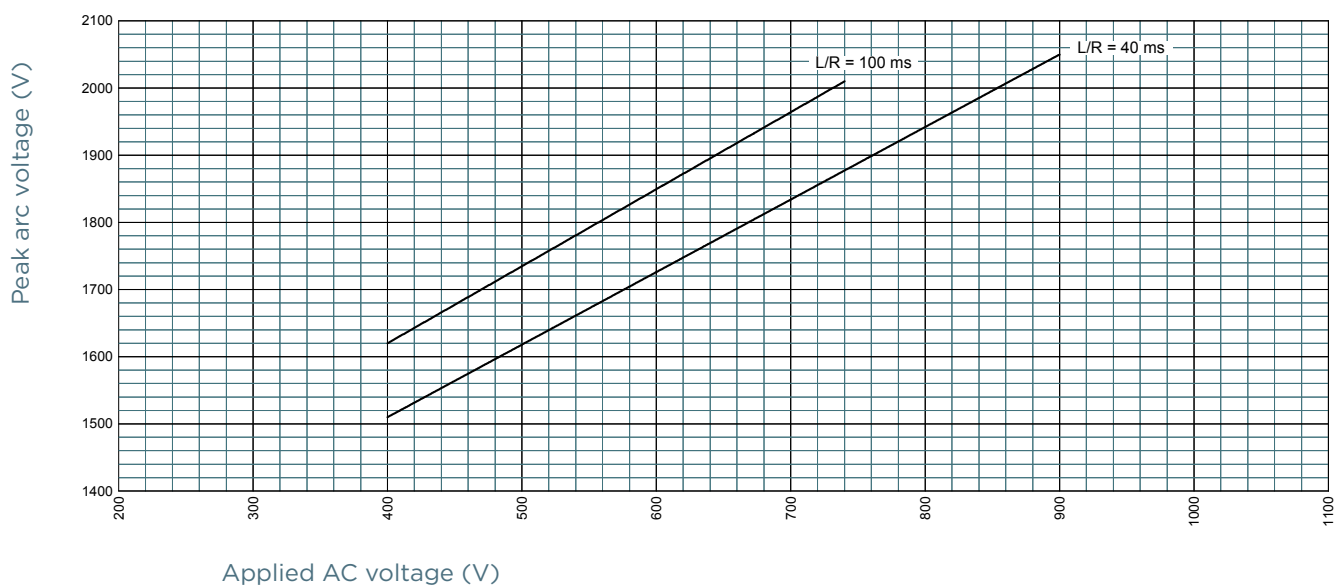
L/R TIME CONSTANT VS DC VOLTAGE CAPABILITY



POWER DISSIPATION

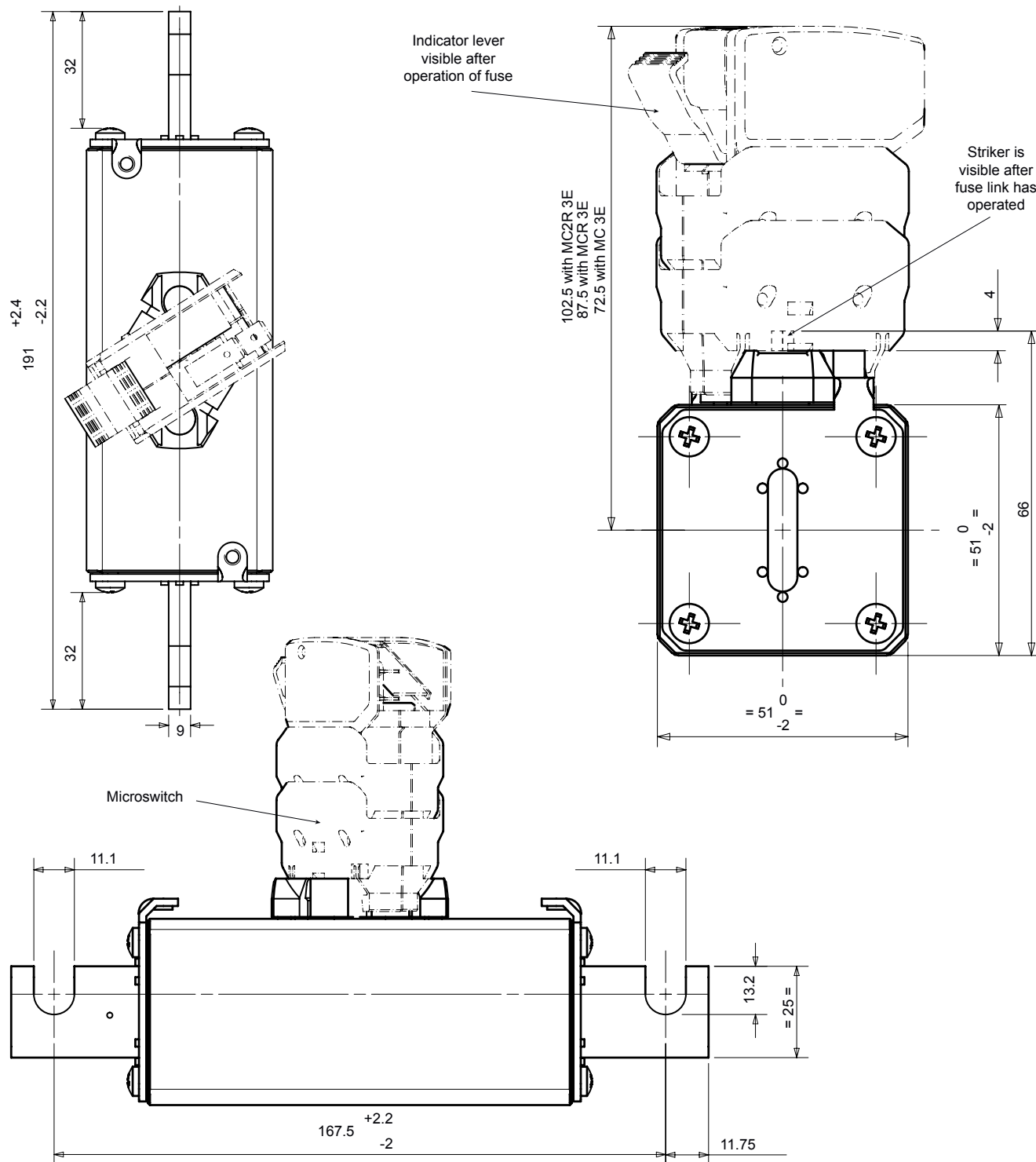


PEAK ARC VOLTAGE



DIMENSIONS

Size 121gR blade contacts (EF)



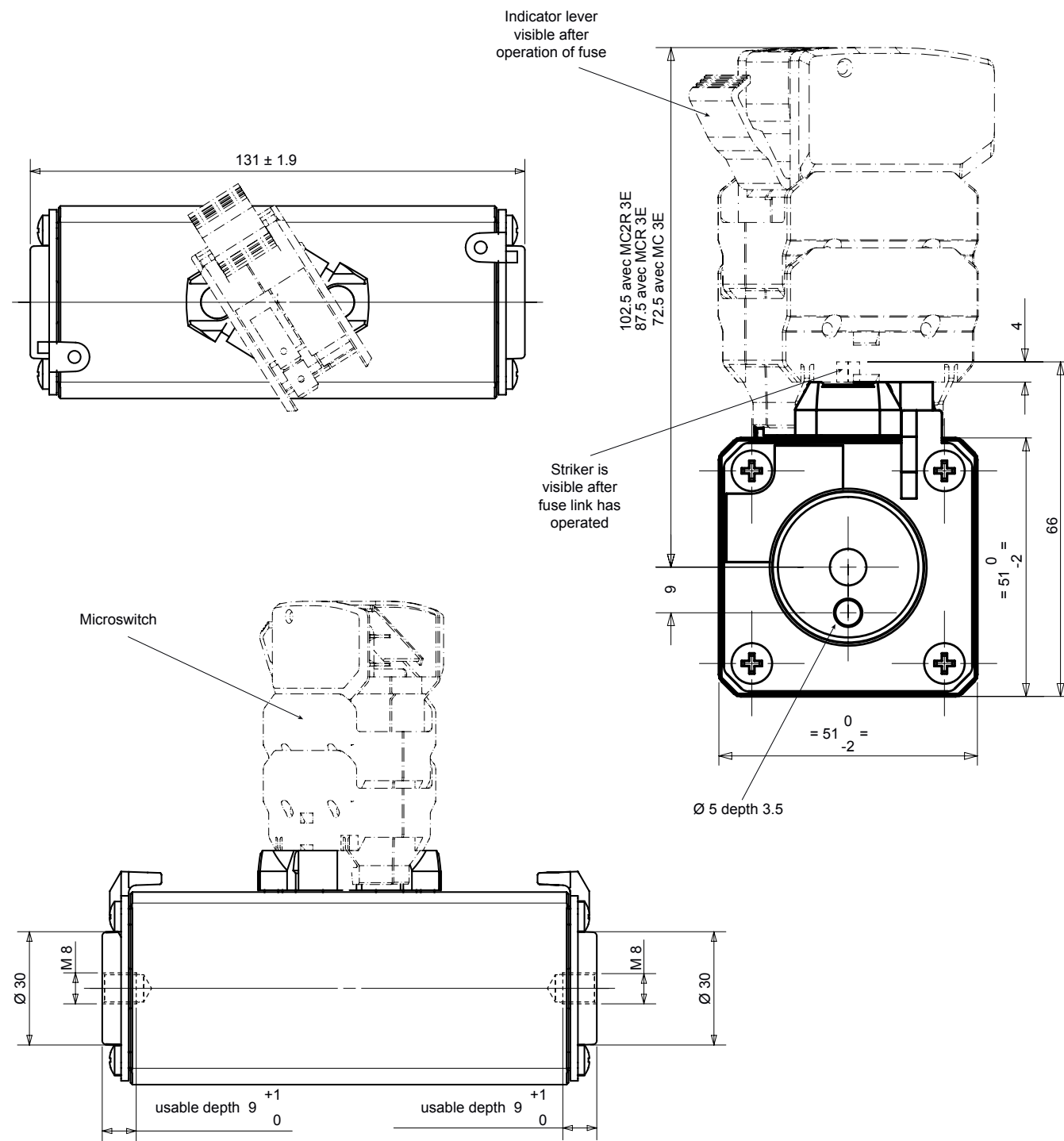
Dimensions in mm

Protistor® size 121 gR

750VDC

DIMENSIONS

Size 121gR threads terminals (TTF)



Dimensions in mm

MERSEN reserves the right to change, update or correct, without notice, any information contained in this datasheet.