

NH fuse-links gG 690VAC

middle indicator/live gripping-lugs size 4, 4a

LOW VOLTAGE IEC FUSES

IEC NH FUSE-LINKS



The NH system is classified among plug-in fuse systems and is composed of:

- fuse-base (possibly including terminal covers and phase barriers)
- fuse-link with blade contact
- fuse-link replacement device (LV HRC fuse puller)

Since the design of this system cannot guarantee non-interchangeability of rated current it must be handled by a qualified professional.

Type “gG” NH fuse-links are full range breaking capacity fuse-links and are used to protect cables and equipment. They can interrupt any current surge, from the lowest fusing current up to their breaking capacity, and so can be used alone as protection. They also protect electrical devices and industrial set-ups from the electrodynamic effects of very high short-circuit currents.

TECHNICAL DATA OVERVIEW

Voltage AC	690 VAC
Ampere Range (A)	400 ... 1000 A
Size per Standard	4, 4a
Speed/Characteristic	gG
I.R. AC (IEC)	120 kA
Body Material	ceramic
Contact Materials	copper, silver-plated

FEATURES & BENEFITS

- Dimensions in accordance with DIN 43 620
- Live tags
- Middle indicator
- Lead free contact blades
- 0% cadmium

APPLICATIONS

- gG: General purpose (protection of cables and LV-networks)

STANDARDS

- IEC/EN 60269-1 and -2
- VDE 0636 Part 201



NH fuse-links gG 690VAC

middle indicator/live gripping-lugs size 4, 4a

PRODUCT RANGE



NH4GG69V400

Size 4 gG 690VAC middle indicator

Catalog number	Item number	Rated voltage AC (IEC)	Rated current I _n	Power dissipation at I _n	Width	Weight	Package
NH4GG69V400	Z1054296	690 V	400 A	31.5 W	100 mm	2.1 kg	1
NH4GG69V500	A1054297	690 V	500 A	38 W	100 mm	2.1 kg	1
NH4GG69V630	B1054298	690 V	630 A	46 W	100 mm	2.1 kg	1
NH4GG69V800	C1054299	690 V	800 A	62 W	100 mm	2.1 kg	1



NH4AGG69V500

Size 4a gG 690VAC middle indicator

Catalog number	Item number	Rated voltage AC (IEC)	Rated current I _n	Power dissipation at I _n	Width	Weight	Package
NH4AGG69V500	D1054300	690 V	500 A	42.5 W	100 mm	2.58 kg	1
NH4AGG69V630	E1054301	690 V	630 A	53 W	100 mm	2.58 kg	1
NH4AGG69V800	G1054303	690 V	800 A	65 W	100 mm	2.58 kg	1
NH4AGG69V1000	H1054304	690 V	1000 A	78 W	100 mm	2.58 kg	1

TECHNICAL DATA

	size 4	size 4a
Rated current	400 ... 800 A	500 ... 1000 A
Rated breaking capacity AC	120 kA	120 kA
Rated voltage AC	690 V	690 V
Indication System	middle indicator	Middle indicator
Width	100 mm	100 mm

MERSEN reserves the right to change, update or correct, without notice, any information contained in this datasheet.

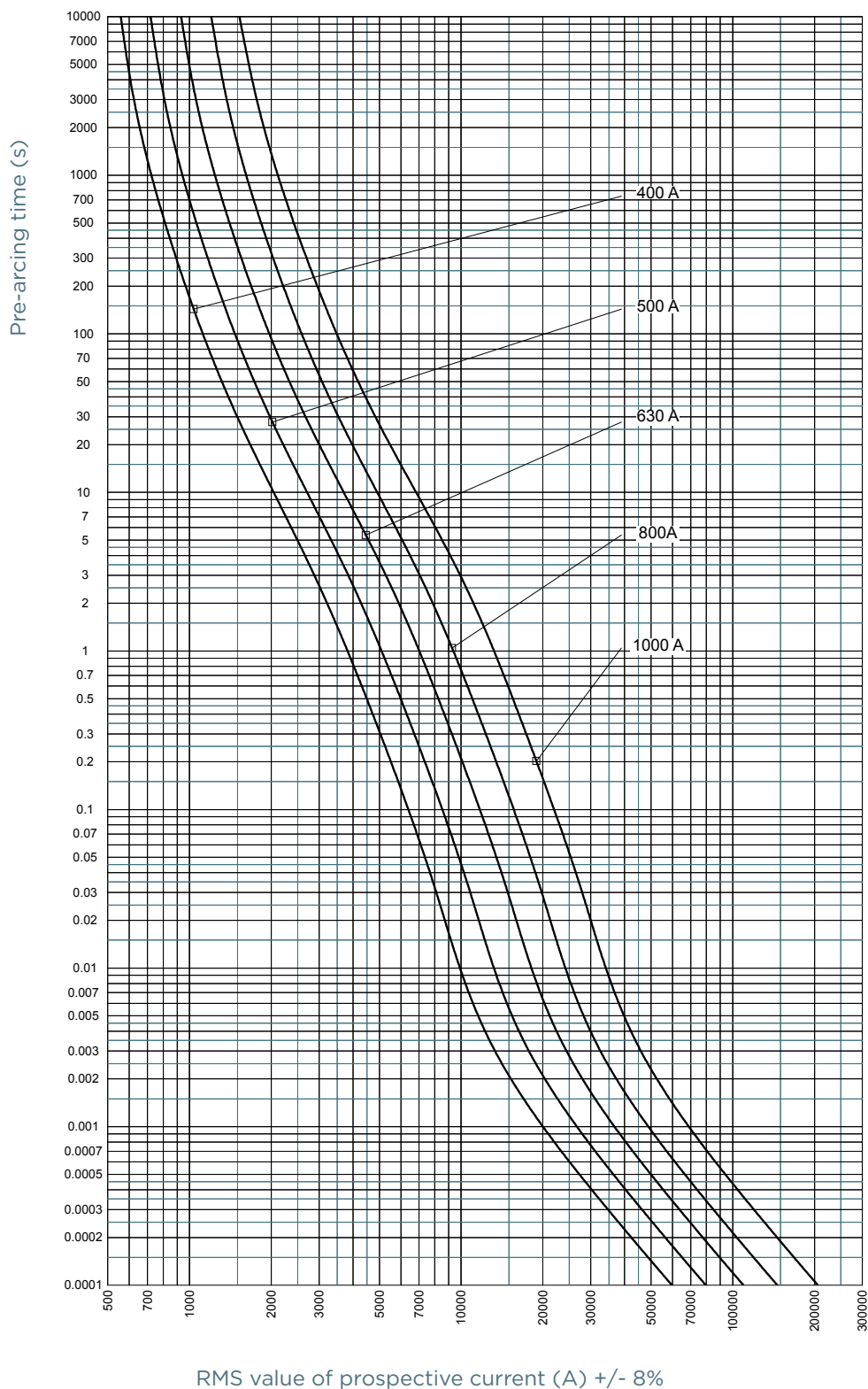
NH fuse-links gG 690VAC

middle indicator/live gripping-lugs size 4, 4a

TIME CURRENT CHARACTERISTIC CURVES

Size 4, 400-800A

Size 4a, 500-1000A



MERSEN reserves the right to change, update or correct, without notice, any information contained in this datasheet.

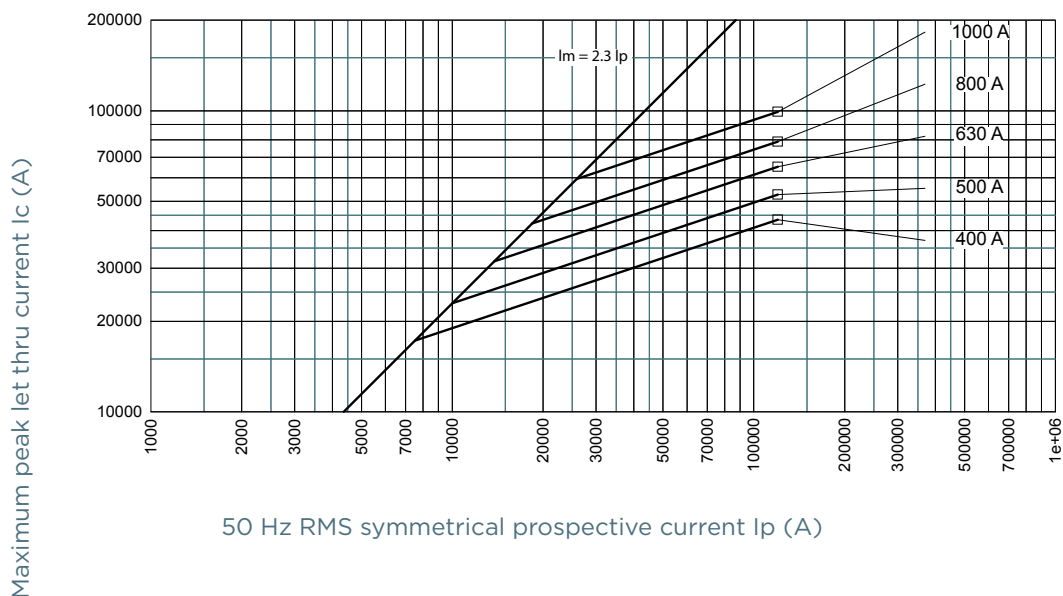
NH fuse-links gG 690VAC

middle indicator/live gripping-lugs size 4, 4a

CUT-OFF CURRENT CHARACTERISTIC

Size 4, 400-800A

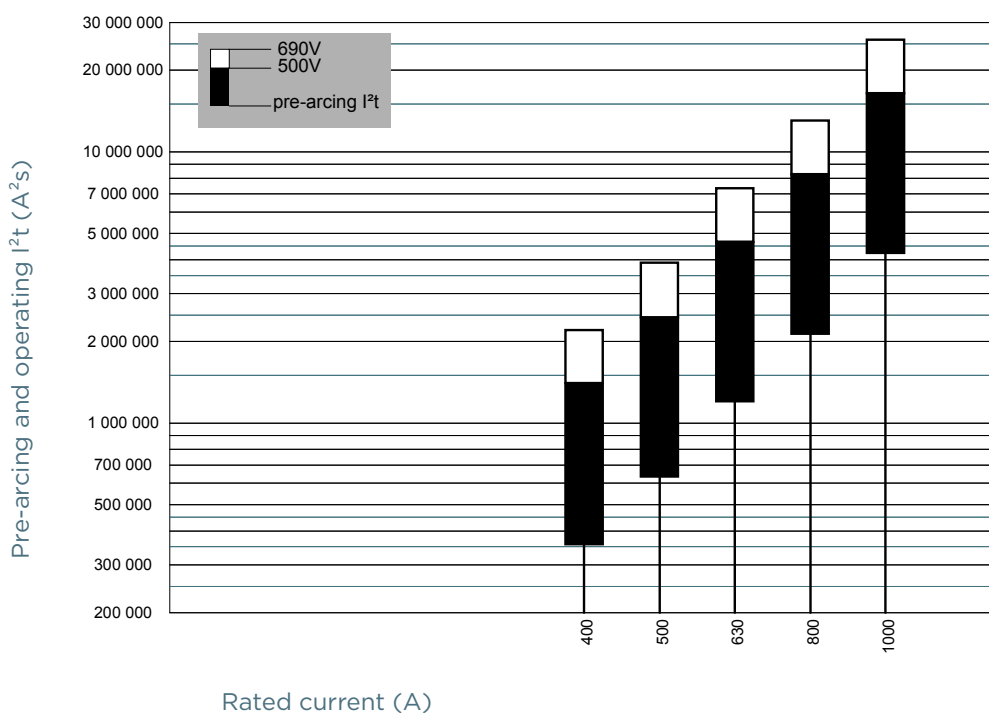
Size 4a, 500-1000A



PRE-ARCING AND OPERATING I^2t CHARACTERISTICS

Size 4, 400-800A

Size 4a, 500-1000A



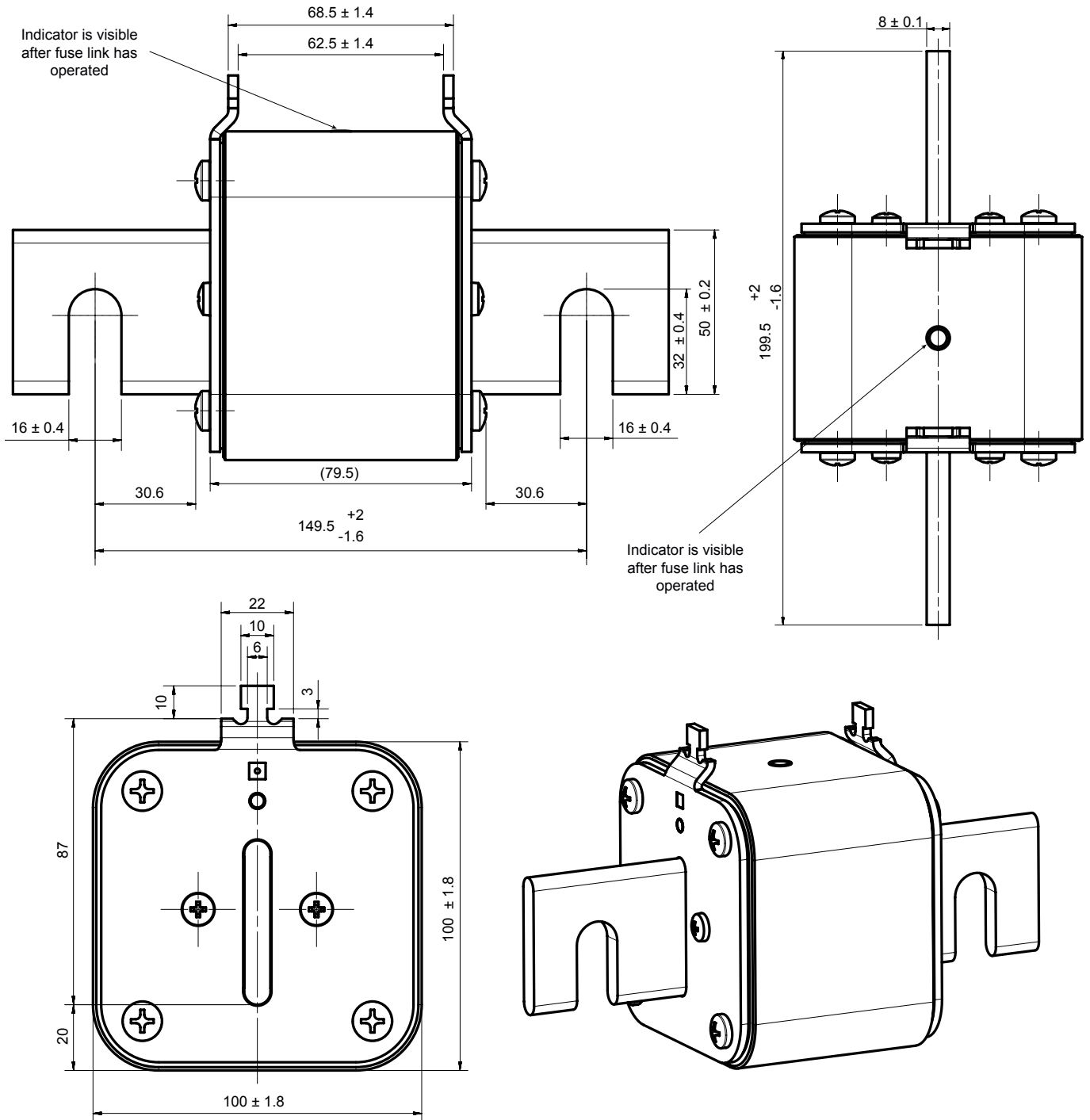
MERSEN reserves the right to change, update or correct, without notice, any information contained in this datasheet.

NH fuse-links gG 690VAC

middle indicator/live gripping-lugs size 4, 4a

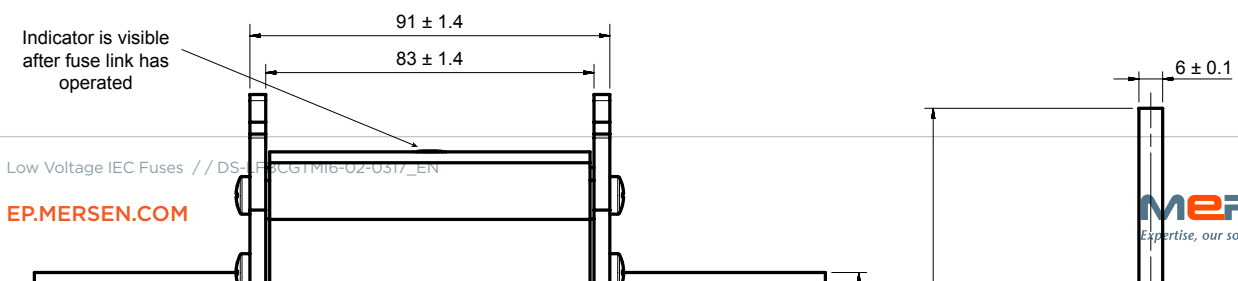
DIMENSIONS

Size 4 with middle indicator (1037468)



Dimensions in mm

Size 4a with middle indicator



Low Voltage IEC Fuses // DS-EPCCG1M16-U2-0317_EN

EP.MERSEN.COM