

# NH fuse-links gG 500VAC

middle indicator/live gripping-lugs size 4, 4a

## LOW VOLTAGE IEC FUSES

### IEC NH FUSE-LINKS



The NH system is classified among plug-in fuse systems and is composed of:

- fuse-base (possibly including terminal covers and phase barriers)
- fuse-link with blade contact
- fuse-link replacement device (LV HRC fuse puller)

Since the design of this system cannot guarantee non-interchangeability of rated current it must be handled by a qualified professional.

Type “gG” NH fuse-links are full range breaking capacity fuse-links and are used to protect cables and equipment. They can interrupt any current surge, from the lowest fusing current up to their breaking capacity, and so can be used alone as protection. They also protect electrical devices and industrial set-ups from the electrodynamic effects of very high short-circuit currents.

## TECHNICAL DATA OVERVIEW

Voltage AC	500 VAC
Voltage DC	250 VDC
Ampere Range (A)	400 ... 1600 A
Size per Standard	4, 4a
Speed/Characteristic	gG
I.R. AC (IEC)	120 kA
I.R. DC (IEC)	70 kA
Body Material	ceramic
Contact Materials	copper, silver-plated

## FEATURES & BENEFITS

- Dimensions in accordance with DIN 43 620
- Live tags
- Middle indicator
- Lead free contact blades
- 0% cadmium

## APPLICATIONS

- gG: General purpose (protection of cables and LV-networks)

## STANDARDS

- IEC/EN 60269-1 and -2
- VDE 0636 Part 201



# NH fuse-links gG 500VAC

middle indicator/live gripping-lugs size 4, 4a

## PRODUCT RANGE



NH4GG50V400

### Size 4 gG 500VAC middle indicator

Catalog number	Item number	Rated voltage AC (IEC)	Rated voltage DC (IEC)	Rated current I <sub>n</sub>	Power dissipation at I <sub>n</sub>	Width	Weight	Package
NH4GG50V400	K1054283	500 V	250 V	400 A	31.5 W	100 mm	2.1 kg	1
NH4GG50V500	L1054284	500 V	250 V	500 A	38 W	100 mm	2.1 kg	1
NH4GG50V630	M1054285	500 V	250 V	630 A	46 W	100 mm	2.1 kg	1
NH4GG50V800	N1054286	500 V	250 V	800 A	62 W	100 mm	2.1 kg	1
NH4GG50V1000	P1054287	500 V	250 V	1000 A	73.5 W	100 mm	2.1 kg	1
NH4GG50V1250	Q1054288	500 V	250 V	1250 A	87 W	100 mm	2.1 kg	1



NH4AGG50V400

### Size 4a gG 500VAC middle indicator

Catalog number	Item number	Rated voltage AC (IEC)	Rated voltage DC (IEC)	Rated current I <sub>n</sub>	Power dissipation at I <sub>n</sub>	Width	Weight	Package
NH4AGG50V400	R1054289	500 V	250 V	400 A	34 W	100 mm	2.58 kg	1
NH4AGG50V500	S1054290	500 V	250 V	500 A	42.5 W	100 mm	2.58 kg	1
NH4AGG50V630	T1054291	500 V	250 V	630 A	53 W	100 mm	2.58 kg	1
NH4AGG50V800	V1054292	500 V	250 V	800 A	65 W	100 mm	2.58 kg	1
NH4AGG50V1000	W1054293	500 V	250 V	1000 A	78 W	100 mm	2.58 kg	1
NH4AGG50V1250	X1054294	500 V	250 V	1250 A	90 W	100 mm	2.58 kg	1
NH4AGG50V1600	Y1054295	500 V	250 V	1600 A	127 W	100 mm	2.58 kg	1

## TECHNICAL DATA

	size 4	size 4a
Rated current	400 ... 1250 A	400 ... 1600 A
Rated breaking capacity AC	120 kA	120 kA
Rated voltage AC	500 V	500 V
Indication System	Middle indicator	Middle indicator
Width	100 mm	100 mm

MERSEN reserves the right to change, update or correct, without notice, any information contained in this datasheet.

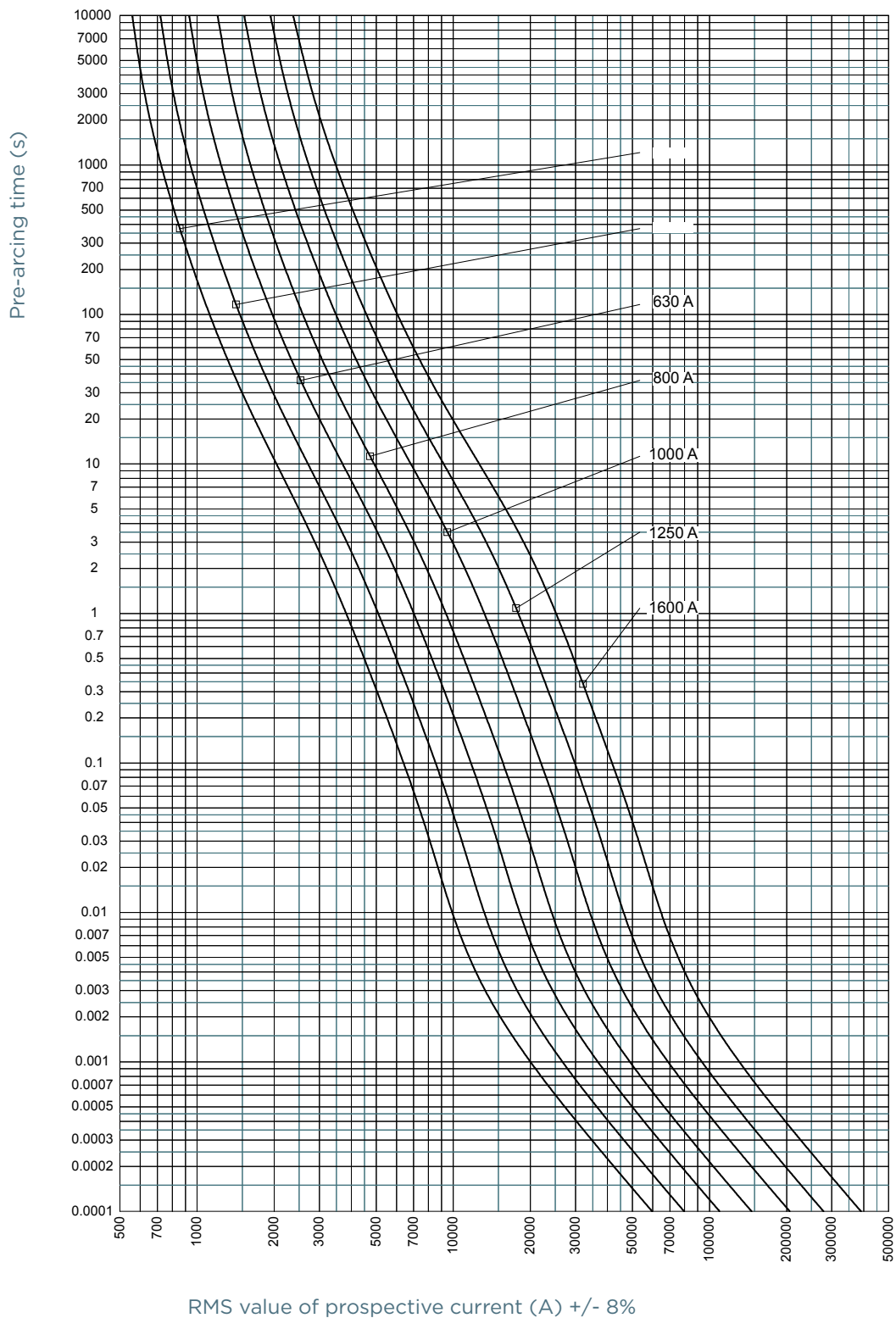
# NH fuse-links gG 500VAC

middle indicator/live gripping-lugs size 4, 4a

## TIME CURRENT CHARACTERISTIC CURVES

Size 4, 400-1250A

Size 4a, 400-1600A



MERSEN reserves the right to change, update or correct, without notice, any information contained in this datasheet.

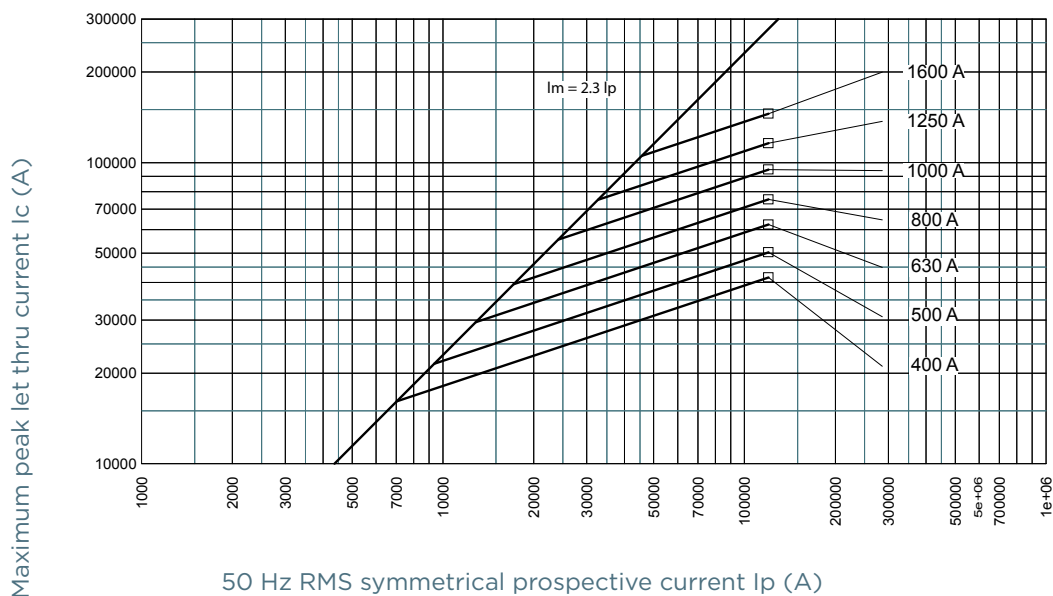
# NH fuse-links gG 500VAC

middle indicator/live gripping-lugs size 4, 4a

## CUT-OFF CURRENT CHARACTERISTIC

Size 4, 400-1250A

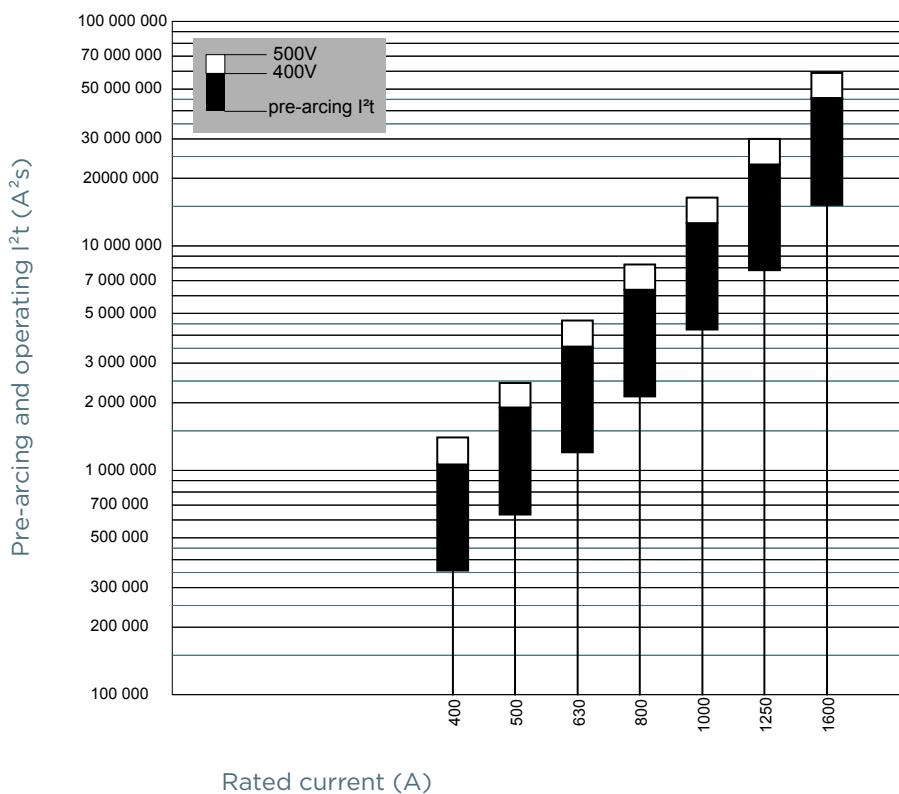
Size 4a, 400-1600A



## PRE-ARCING AND OPERATING $I^2t$ CHARACTERISTICS

Size 4, 400-1250A

Size 4a, 400-1600A



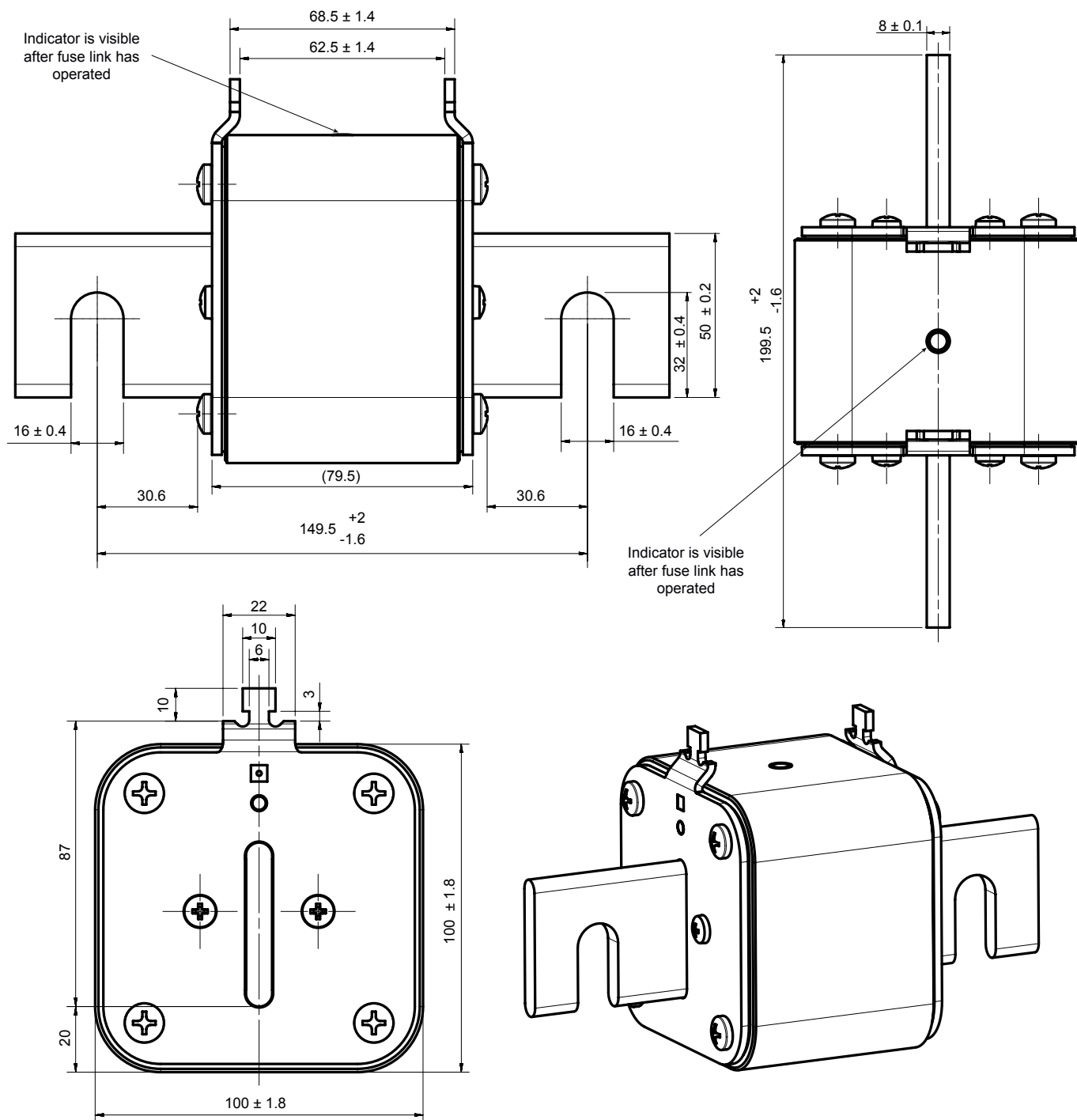
MERSEN reserves the right to change, update or correct, without notice, any information contained in this datasheet.

# NH fuse-links gG 500VAC

middle indicator/live gripping-lugs size 4, 4a

## DIMENSIONS

Size 4 with middle indicator (1037467)



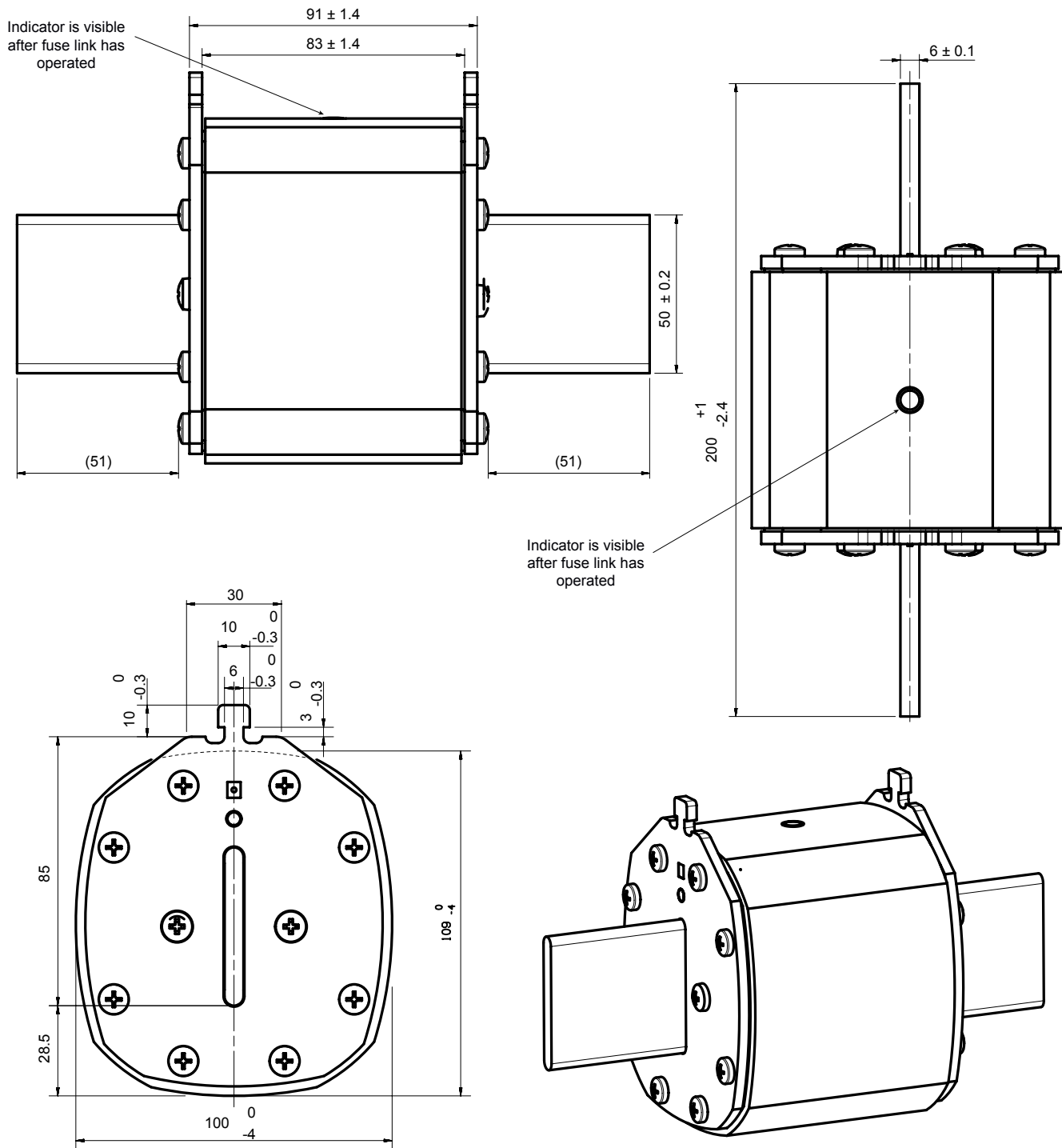
Dimensions in mm

# NH fuse-links gG 500VAC

middle indicator/live gripping-lugs size 4, 4a

## DIMENSIONS

Size 4a with middle indicator (1037468)



Dimensions in mm