

NH fuse-links aM 500VAC

top indicator/live gripping-lugs size 4, 4a

LOW VOLTAGE IEC FUSES

IEC NH FUSE-LINKS



The NH system is classified among plug-in fuse systems and is composed of:

- fuse-base (possibly including terminal covers and phase barriers)
- fuse-link with blade contact
- fuse-link replacement device (LV HRC fuse puller)

Since the design of this system cannot guarantee non-interchangeability of rated current it must be handled by a qualified professional.

Type “aM” NH fuse-links are partial-range breaking capacity fuse-links, used to protect motor circuits as they are strongly current-limiting and have low power losses. They interrupt currents from 6.3 times I_n up to their maximum breaking capacity and are therefore suited for short-circuit protection only. They must be associated with other switchgear for protection against overloads. These fuse-links can have a rated current equal to the motor’s nominal current.

TECHNICAL DATA OVERVIEW

Voltage AC	500 VAC
Ampere Range (A)	400 ... 1250 A
Size per Standard	4, 4a
Speed/Characteristic	aM
I.R. AC (IEC)	120 kA
Body Material	ceramic
Contact Materials	copper, silver-plated

FEATURES & BENEFITS

- Dimensions according to DIN 43 620 parts 1 to 4
- Non-isolated gripping lugs
- Double indicator
- Lead free contact blades
- 0% cadmium

APPLICATIONS

- aM: Partial purpose, motor circuit protection

STANDARDS

- VDE 0636 Part 201
- IEC 60269-1 and -2



NH fuse-links aM 500VAC

top indicator/live gripping-lugs size 4, 4a

PRODUCT RANGE

Size 4 aM 500VAC top indicator

Catalog number	Item number	Rated voltage AC (IEC)	Rated current I_n	Power dissipation at I_n	Weight	Package
NH4AM50V400-8	P233555	500 V	400 A	26 W	2.18 kg	1
NH4AM50V500-8	Q233556	500 V	500 A	38 W	2.188 kg	1
NH4AM50V630-8	E222115	500 V	630 A	50 W	2.18 kg	1
NH4AM50V800-8	V222865	500 V	800 A	65 W	2.185 kg	1
NH4AM50V1000-8	S219137	500 V	1000 A	80 W	2.18 kg	1
NH4AM50V1250-8	V219668	500 V	1250 A	110 W	2.21 kg	1



NH4AAM50V630-8

Size 4a aM 500VAC top indicator

Catalog number	Item number	Rated voltage AC (IEC)	Rated current I_n	Power dissipation at I_n	Weight	Package
NH4AAM50V500-8	R233557	500 V	500 A	38 W	2.13 kg	1
NH4AAM50V630-8	S233558	500 V	630 A	50 W	2.1 kg	1
NH4AAM50V800-8	T233559	500 V	800 A	65 W	2.16 kg	1
NH4AAM50V1000-8	V233560	500 V	1000 A	80 W	2.13 kg	1
NH4AAM50V1250-8	W233561	500 V	1250 A	110 W	2.19 kg	1

TECHNICAL DATA

	Size 4	Size 4a
Rated current	400 ... 1250 A	500 ... 1250 A
Rated breaking capacity AC	120 kA	120 kA
Rated voltage AC	500 V	500 V
Indication System	top indicator	top indicator
Width	100 mm	100 mm

MERSEN reserves the right to change, update or correct, without notice, any information contained in this datasheet.

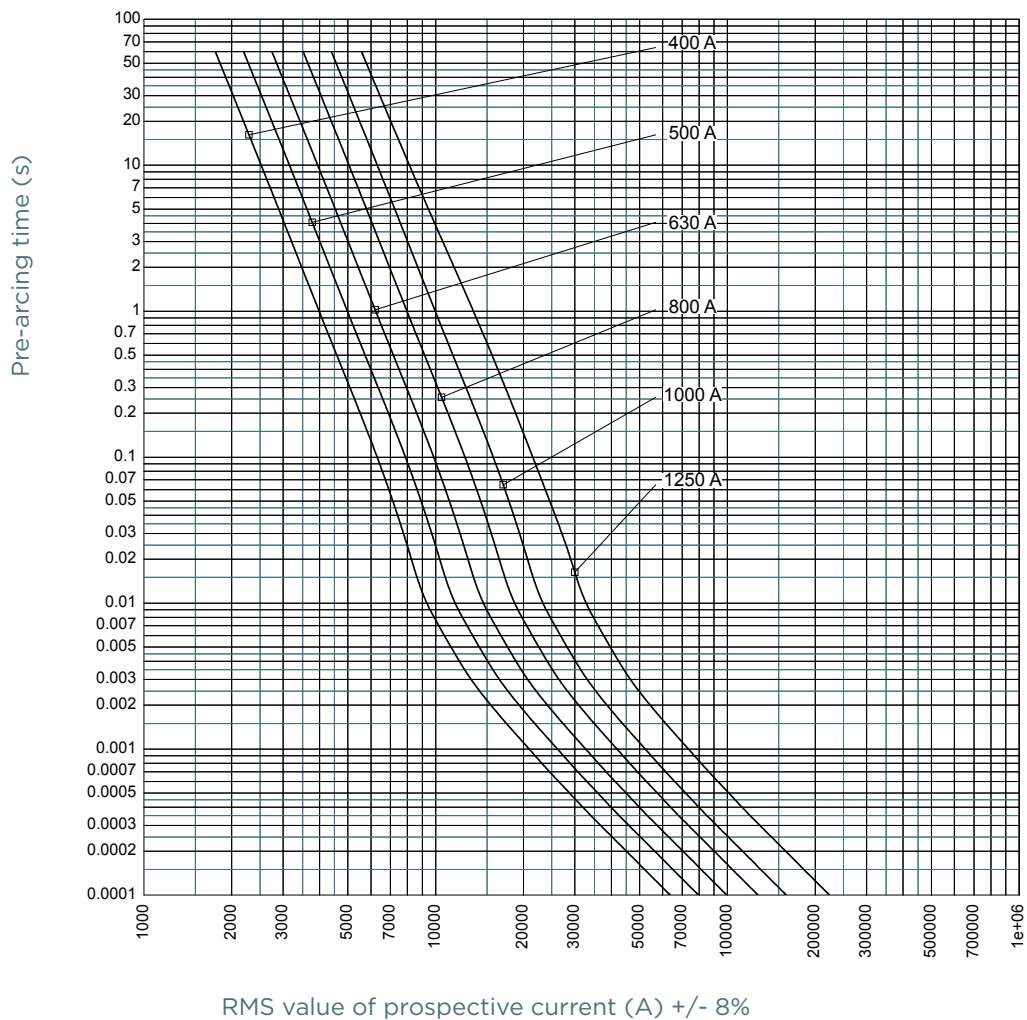
NH fuse-links aM 500VAC

top indicator/live gripping-lugs size 4, 4a

TIME CURRENT CHARACTERISTIC CURVES

Size 4, 400-1250A

Size 4a, 500-1250A



MERSEN reserves the right to change, update or correct, without notice, any information contained in this datasheet.

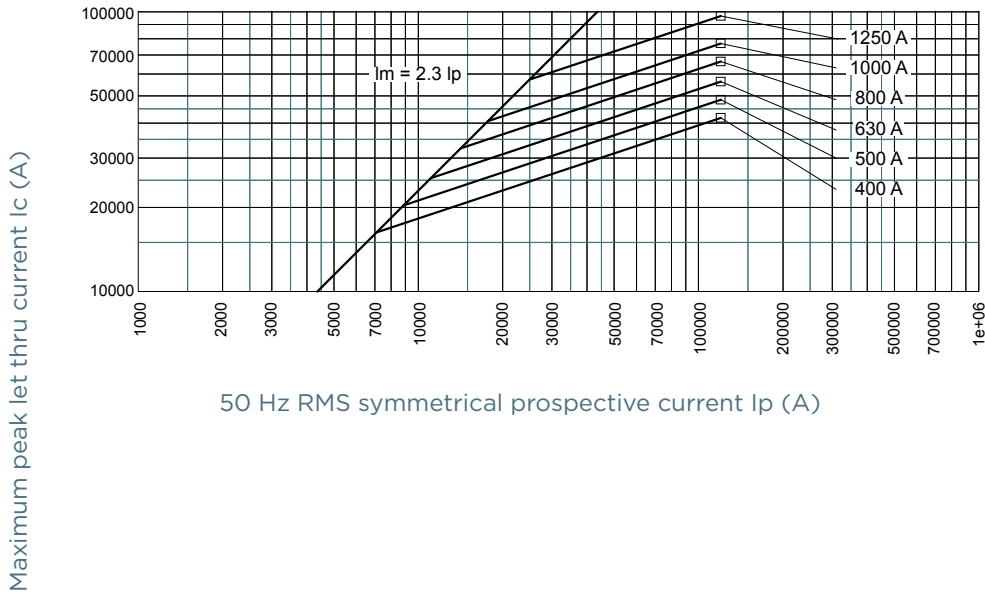
NH fuse-links aM 500VAC

top indicator/live gripping-lugs size 4, 4a

CUT-OFF CURRENT CHARACTERISTIC

Size 4, 400-1250A

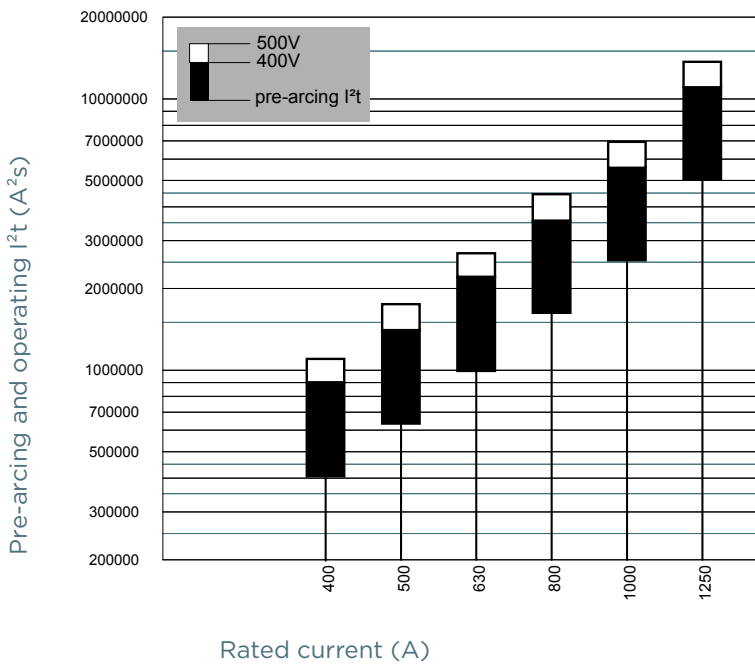
Size 4a, 500-1250A



PRE-ARCING AND OPERATING I^2t CHARACTERISTICS

Size 4, 400 - 1250A

Size 4a, 500 - 1250A



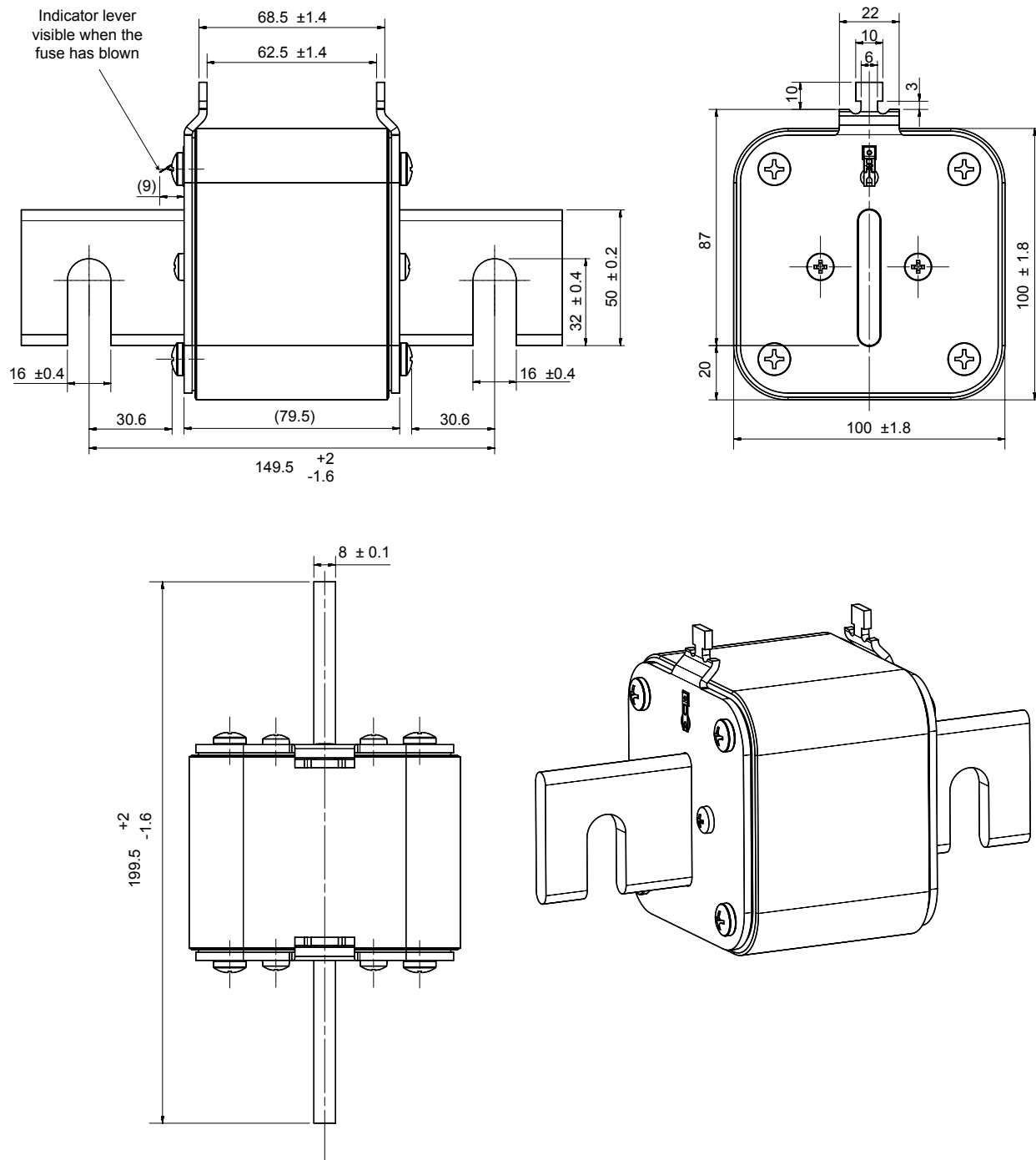
MERSEN reserves the right to change, update or correct, without notice, any information contained in this datasheet.

NH fuse-links aM 500VAC

top indicator/live gripping-lugs size 4, 4a

DIMENSIONS

Size 4 with top indicator



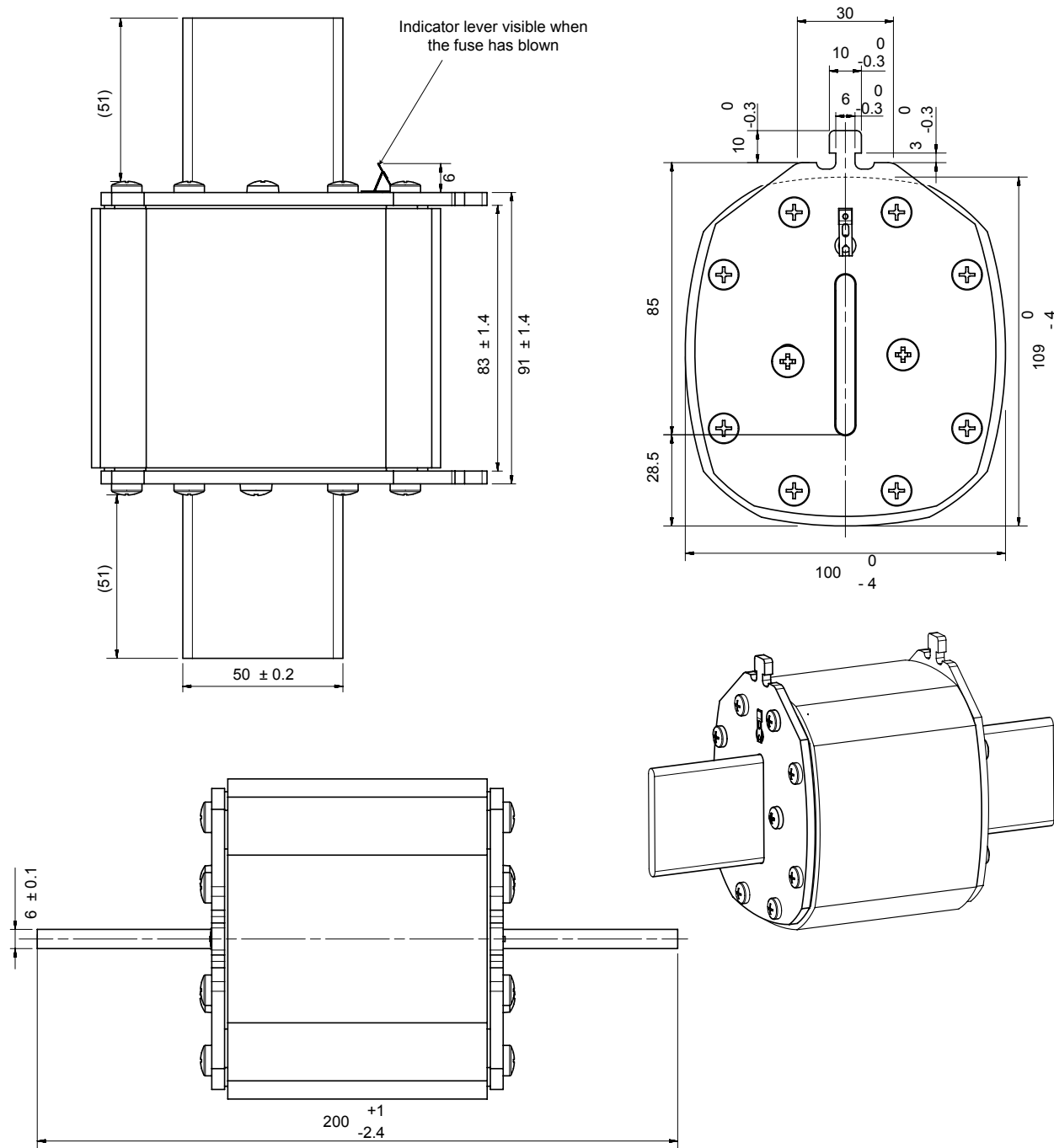
Dimensions in mm

NH fuse-links aM 500VAC

top indicator/live gripping-lugs size 4, 4a

DIMENSIONS

Size 4a with top indicator



Dimensions in mm