

NH fuse-links aM 500 - 690VAC

with striker, size 0, 1, 2, 3, 4

LOW VOLTAGE IEC FUSES

IEC NH FUSE-LINKS



The NH system is classified among plug-in fuse systems and is composed of:

- fuse-base (possibly including terminal covers and phase barriers)
- fuse-link with blade contact
- fuse-link replacement device (LV HRC fuse puller)

Since the design of this system cannot guarantee non-interchangeability of rated current, it must be handled by a qualified professional.

TECHNICAL DATA OVERVIEW

Voltage Range AC	500 ... 690 VAC
Ampere Range (A)	32 ... 1250 A
Size per Standard	Sizes 0 to 4 - with striker
Speed/Characteristic	aM
I.R. AC	80 ... 120 kA
Body Material	ceramic
Contact Materials	copper, silver-plated

FEATURES & BENEFITS

- Dimensions according to DIN 43 620 Parts 1 to 4
- Lead free contact blades
- 0% cadmium

APPLICATIONS

- aM: Partial purpose, motor circuit protection

STANDARDS

- VDE 0636 Part 201
- IEC 60269-1 and -2



NH fuse-links aM 500 - 690VAC

with striker, size 0, 1, 2, 3, 4

PRODUCT RANGE



NH0AM69V125P-2

Size 0 aM with striker

Catalog number	Item number	Rated voltage AC (IEC)	Rated current I _n	Rated breaking capacity AC	Power dissipation at I _n	Weight	Package
NH0AM69V32P-2	Z213140	690 V	32 A	80 kA	2.4 W	0.275 kg	3
NH0AM69V40P-2	R213639	690 V	40 A	80 kA	2.8 W	0.275 kg	3
NH0AM69V50P-2	V214148	690 V	50 A	80 kA	3.6 W	0.275 kg	3
NH0AM69V63P-2	Y214657	690 V	63 A	80 kA	4.6 W	0.275 kg	3
NH0AM69V80P-2	C215167	690 V	80 A	80 kA	6 W	0.275 kg	3
NH0AM69V100P-2	F215676	690 V	100 A	80 kA	7.5 W	0.275 kg	3
NH0AM69V125P-2	L216187	690 V	125 A	80 kA	9.5 W	0.275 kg	3
NH0AM69V160P-2	J216691	690 V	160 A	80 kA	12 W	0.275 kg	3
NH0AM50V200P-2	X217209	500 V	200 A	120 kA	-	0.275 kg	3



NH1AM69V250P-2

Size 1 aM with striker

Catalog number	Item number	Rated voltage AC (IEC)	Rated current I _n	Rated breaking capacity AC	Power dissipation at I _n	Weight	Package
NH1AM69V80P-2	C217720	690 V	80 A	80 kA	6 W	0.3833 kg	3
NH1AM69V100P-2	M218235	690 V	100 A	80 kA	7.5 W	0.3833 kg	3
NH1AM69V125P-2	A218753	690 V	125 A	80 kA	9.9 W	0.3833 kg	3
NH1AM69V160P-2	P219272	690 V	160 A	80 kA	12.7 W	0.3833 kg	3
NH1AM69V200P-2	B222480	690 V	200 A	80 kA	16.4 W	0.3833 kg	3
NH1AM69V250P-2	T223002	690 V	250 A	80 kA	21.5 W	0.3833 kg	3
NH1AM50V315P-2	A200790	500 V	315 A	120 kA	-	0.3833 kg	3



NH2AM69V315P-2

Size 2 aM with striker

Catalog number	Item number	Rated voltage AC (IEC)	Rated current I _n	Rated breaking capacity AC	Power dissipation at I _n	Weight	Package
NH2AM69V125P-2	S201335	690 V	125 A	80 kA	-	0.564 kg	3
NH2AM69V160P-2	B201849	690 V	160 A	80 kA	12.7 W	0.564 kg	3
NH2AM69V200P-2	Y211069	690 V	200 A	80 kA	16.4 W	0.564 kg	3
NH2AM69V224P-2	P211590	690 V	224 A	80 kA	18.7 W	0.564 kg	3
NH2AM69V250P-2	Y212104	690 V	250 A	80 kA	21.5 W	0.564 kg	3
NH2AM69V315P-2	N212624	690 V	315 A	80 kA	29 W	0.564 kg	3
NH2AM69V355P-2	A213141	690 V	355 A	80 kA	32 W	0.564 kg	3
NH2AM69V400P-2	S213640	690 V	400 A	80 kA	34 W	0.564 kg	3
NH2AM50V500P-2	W214149	500 V	500 A	120 kA	-	0.564 kg	3



NH3AM50V630P-2

Size 3 aM with striker

Catalog number	Item number	Rated voltage AC (IEC)	Rated current I _n	Rated breaking capacity AC	Power dissipation at I _n	Weight	Package
NH3AM69V315P-2	Z214658	690 V	315 A	80 kA	25 W	0.871 kg	3
NH3AM69V355P-2	D215168	690 V	355 A	80 kA	29 W	0.871 kg	3
NH3AM69V400P-2	G215677	690 V	400 A	80 kA	34 W	0.871 kg	3
NH3AM69V500P-2	M216188	690 V	500 A	80 kA	45 W	0.871 kg	3
NH3AM50V630P-2	K216692	500 V	630 A	120 kA	60 W	0.871 kg	3

MERSEN reserves the right to change, update or correct, without notice, any information contained in this datasheet.

NH fuse-links aM 500 - 690VAC

with striker, size 0, 1, 2, 3, 4

PRODUCT RANGE

Size 4 aM with striker

Catalog number	Item number	Rated voltage AC (IEC)	Rated current I_n	Rated breaking capacity AC	Power dissipation at I_n	Weight	Package
NH4AM69V500P-2	P1000076	690 V	500 A	120 kA	38 W	2.2 kg	1
NH4AM69V630P-2	Q1000077	690 V	630 A	120 kA	50 W	2.2 kg	1
NH4AM69V800P-2	R1000078	690 V	800 A	120 kA	65 W	2.2 kg	1
NH4AM69V1000P-2	Y1000084	690 V	1000 A	120 kA	80 W	2.2 kg	1
NH4AM50V1250P-2	Z1000085	500 V	1250 A	120 kA	100 W	2.2 kg	1

TECHNICAL DATA

	Size 0 aM with striker	Size 1 aM with striker	Size 2 aM with striker	Size 3 aM with striker	Size 4 aM with striker
Rated current	32 ... 200 A	80 ... 315 A	125 ... 500 A	315 ... 630 A	500 ... 1250 A
Rated voltage AC	500 ... 690 V	500 ... 690 V	500 ... 690 V	500 ... 690 V	500 ... 690 V
Indication System	with striker	with striker	with striker	with striker	with striker
Package	3	3	3	3	1

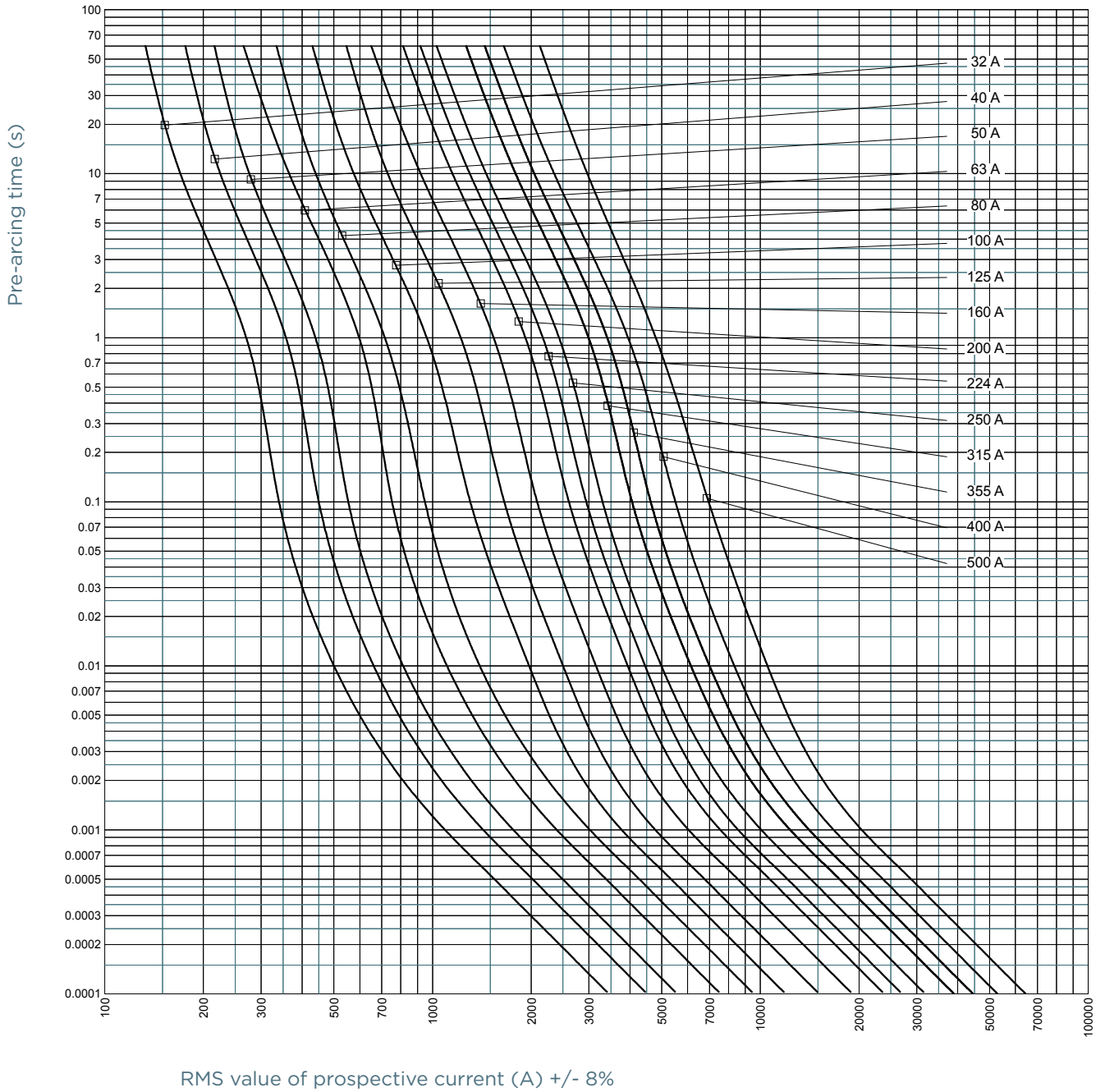
MERSEN reserves the right to change, update or correct, without notice, any information contained in this datasheet.

NH fuse-links aM 500 - 690VAC

with striker, size 0, 1, 2, 3, 4

TIME CURRENT CHARACTERISTIC CURVES

Size 0-1-2-3, 690V aM



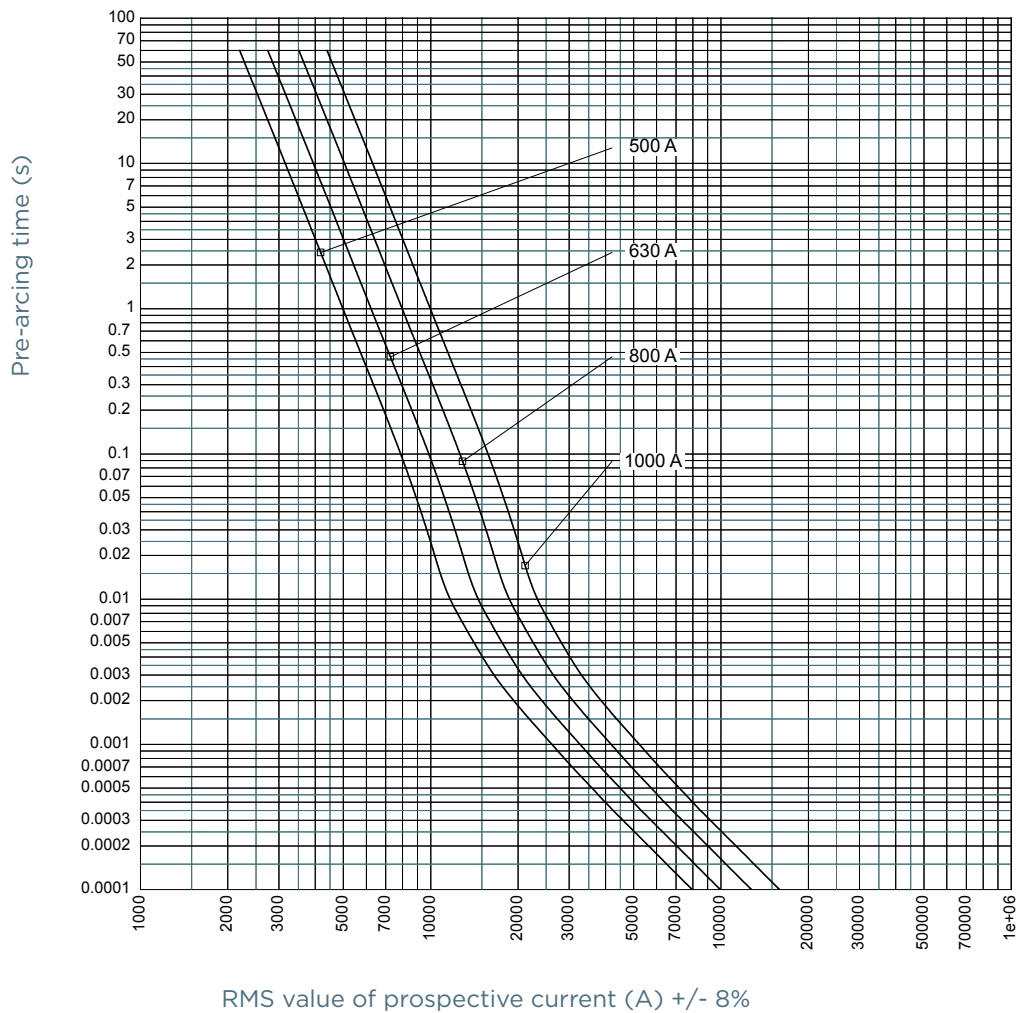
MERSEN reserves the right to change, update or correct, without notice, any information contained in this datasheet.

NH fuse-links aM 500 - 690VAC

with striker, size 0, 1, 2, 3, 4

TIME CURRENT CHARACTERISTIC CURVES

Size 4, 690V aM



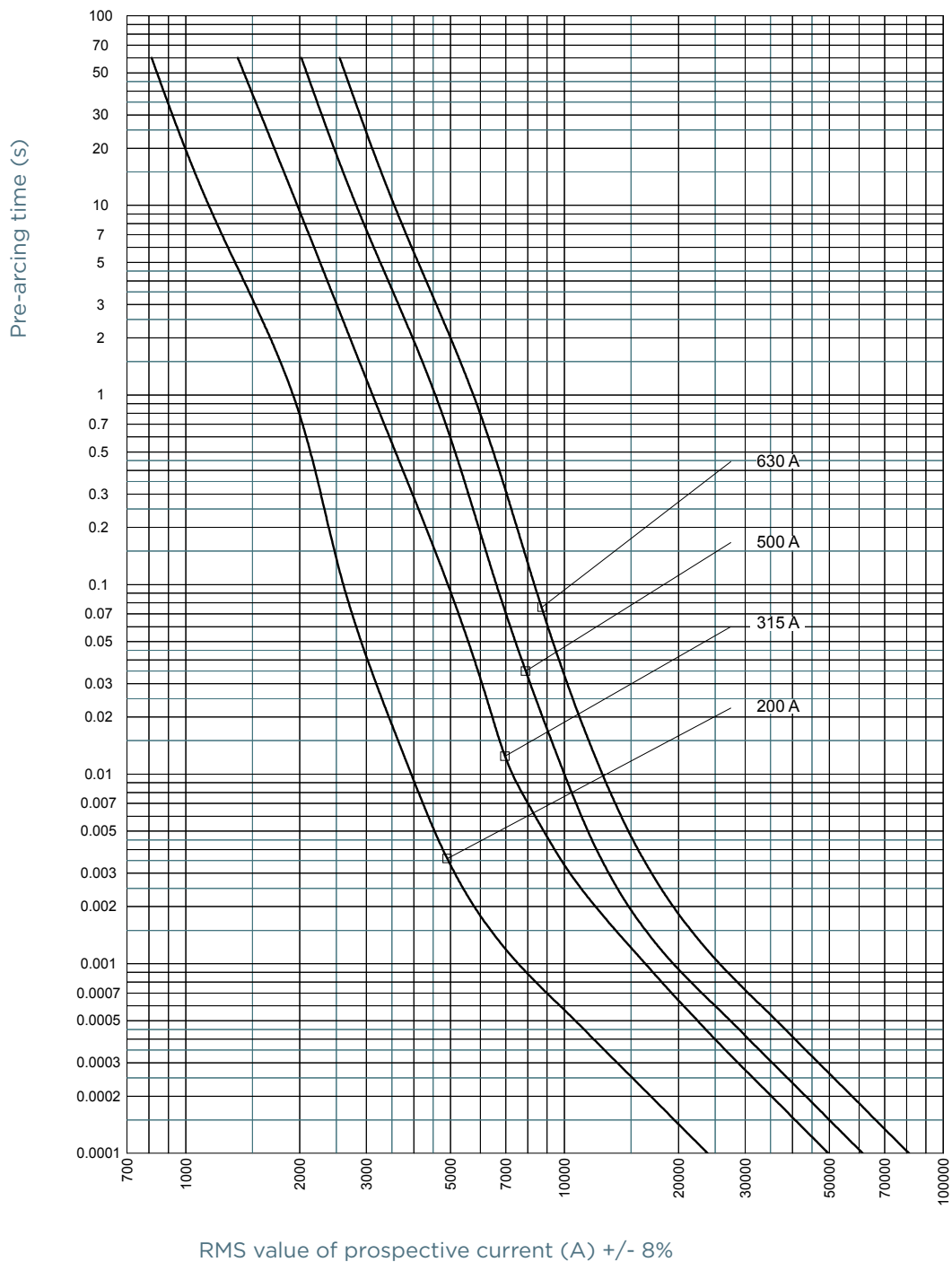
MERSEN reserves the right to change, update or correct, without notice, any information contained in this datasheet.

NH fuse-links aM 500 - 690VAC

with striker, size 0, 1, 2, 3, 4

TIME CURRENT CHARACTERISTIC CURVES

Size 0-1-2-3, 500V aM



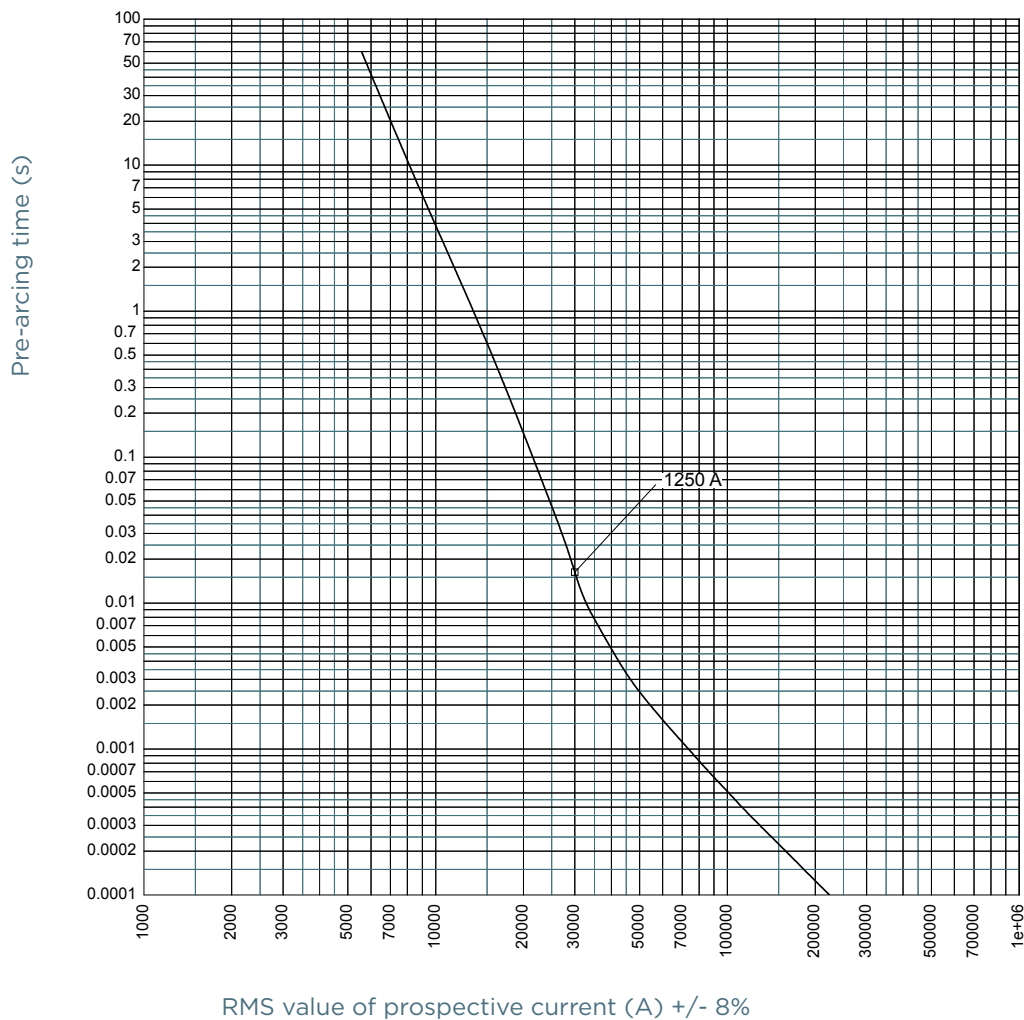
MERSEN reserves the right to change, update or correct, without notice, any information contained in this datasheet.

NH fuse-links aM 500 - 690VAC

with striker, size 0, 1, 2, 3, 4

TIME CURRENT CHARACTERISTIC CURVES

Size 4, 500V aM



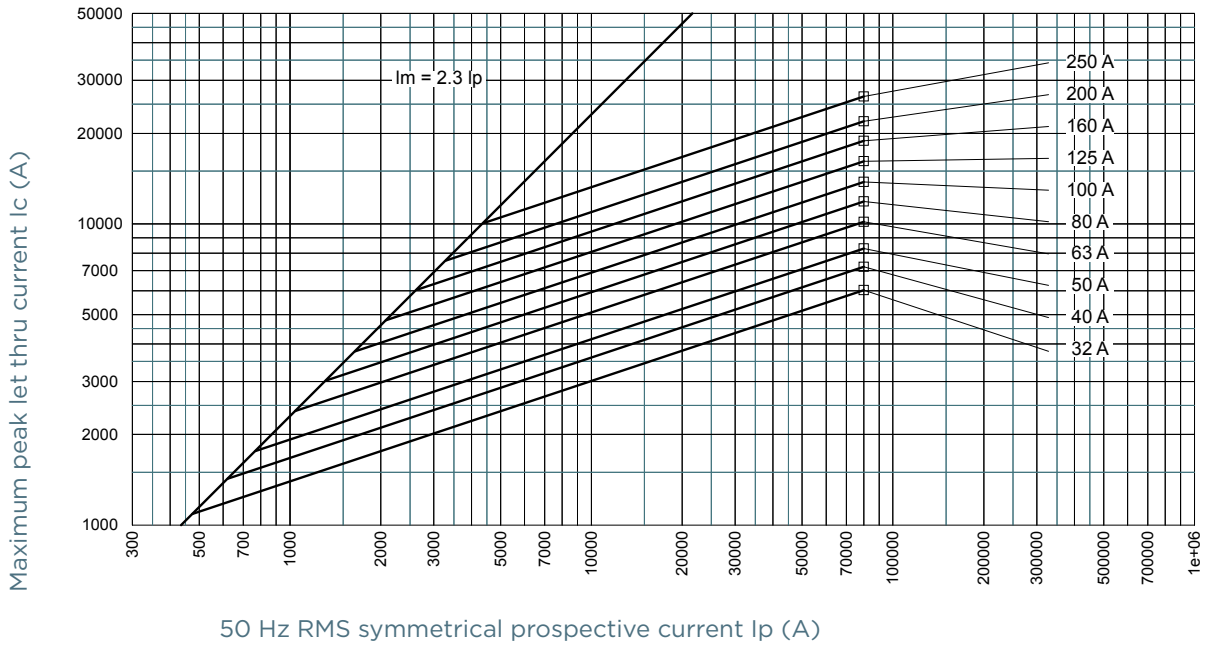
MERSEN reserves the right to change, update or correct, without notice, any information contained in this datasheet.

NH fuse-links aM 500 - 690VAC

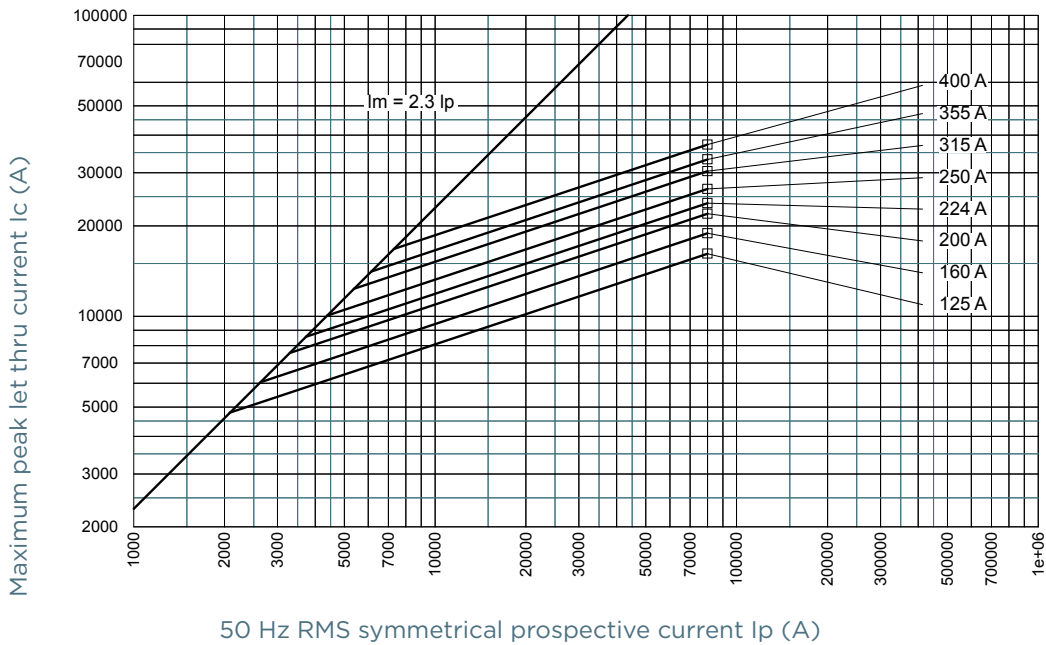
with striker, size 0, 1, 2, 3, 4

CUT-OFF CURRENT CHARACTERISTIC

Size 0-1, 690V aM



Size 2, 690V aM

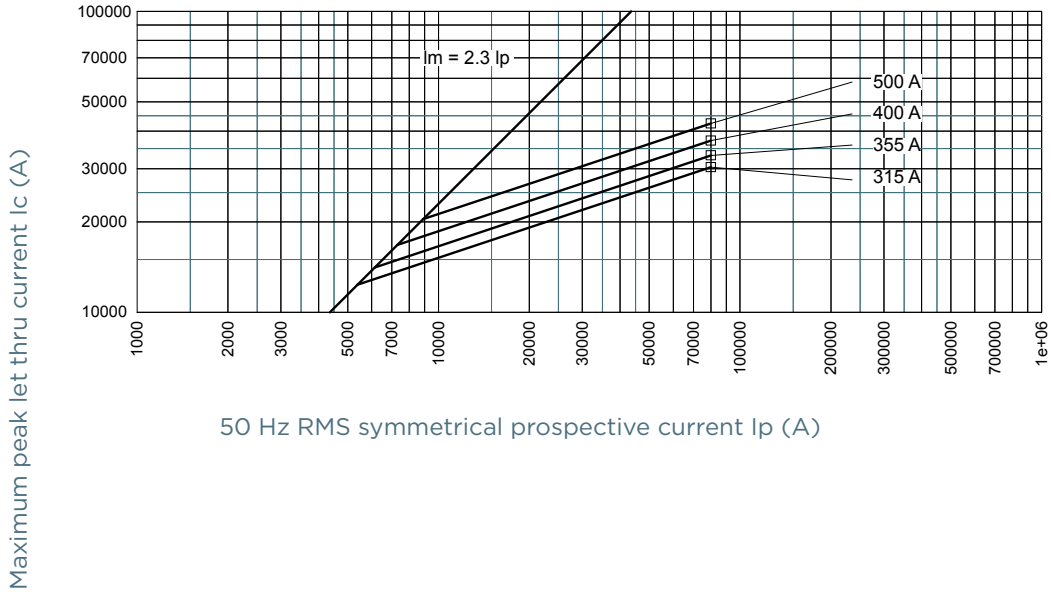


NH fuse-links aM 500 - 690VAC

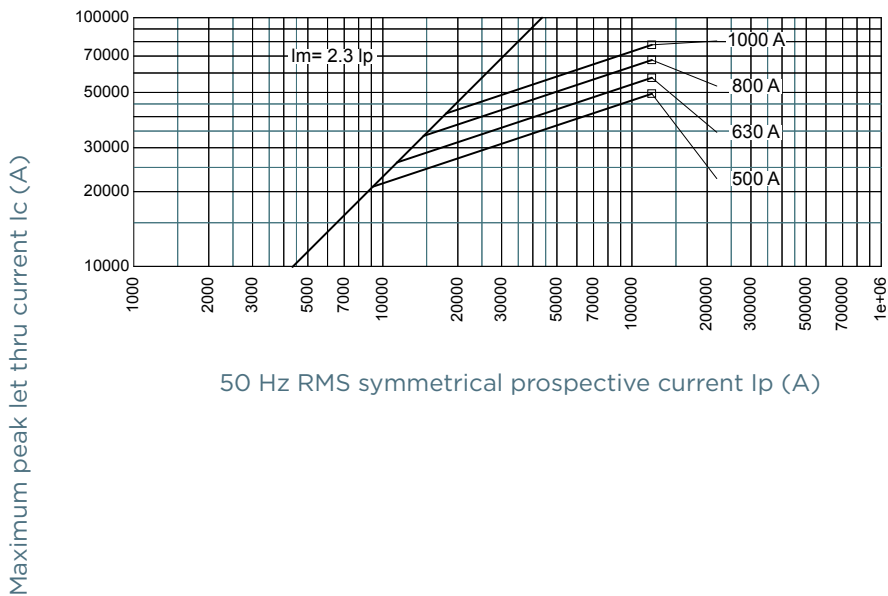
with striker, size 0, 1, 2, 3, 4

CUT-OFF CURRENT CHARACTERISTIC

Size 3, 690V aM



Size 4, 690V aM



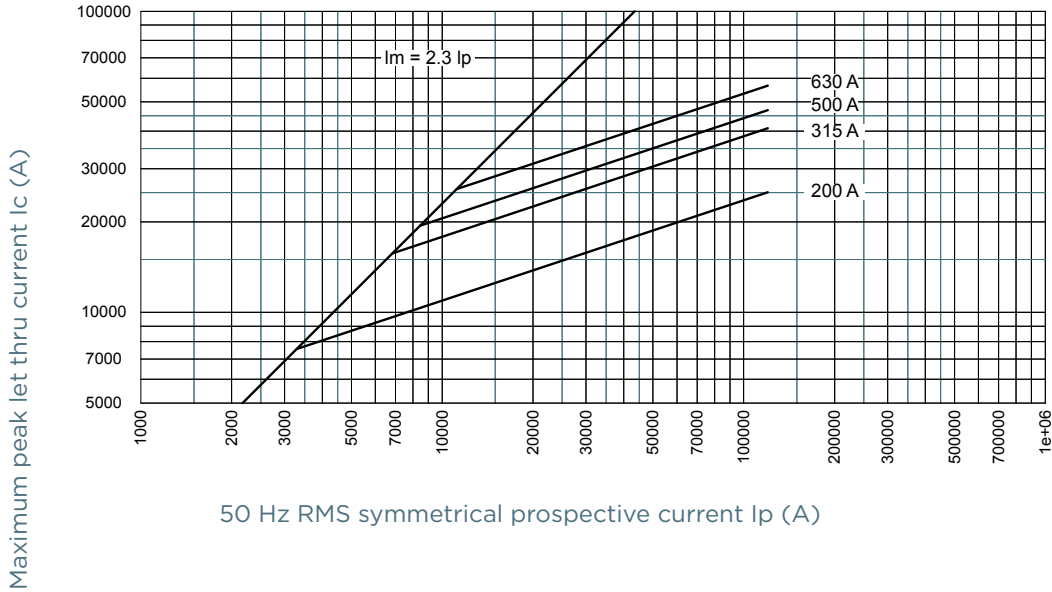
MERSEN reserves the right to change, update or correct, without notice, any information contained in this datasheet.

NH fuse-links aM 500 - 690VAC

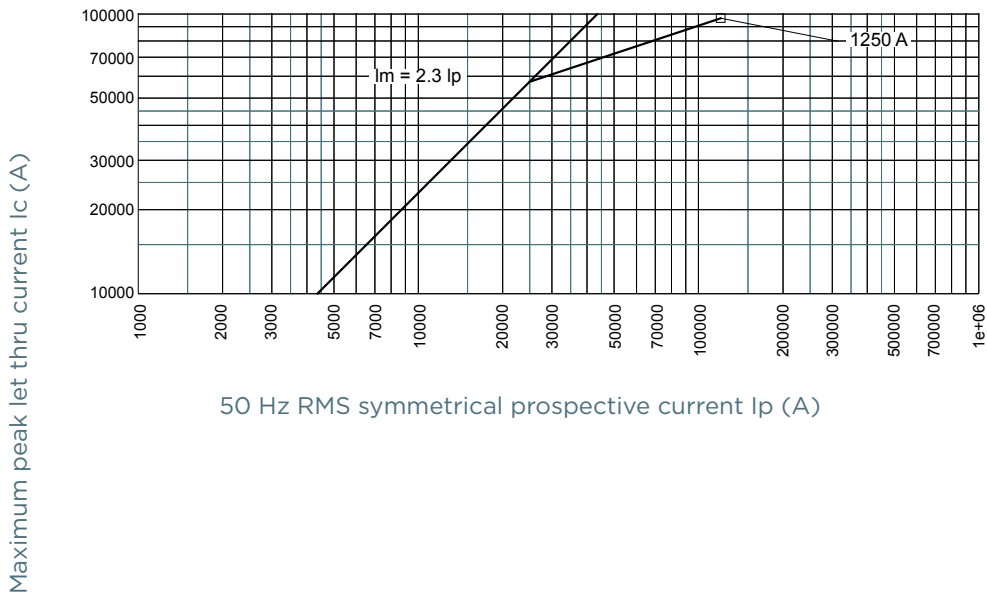
with striker, size 0, 1, 2, 3, 4

CUT-OFF CURRENT CHARACTERISTIC

Size 0-1-2-3, 500V aM



Size 4, 500V aM

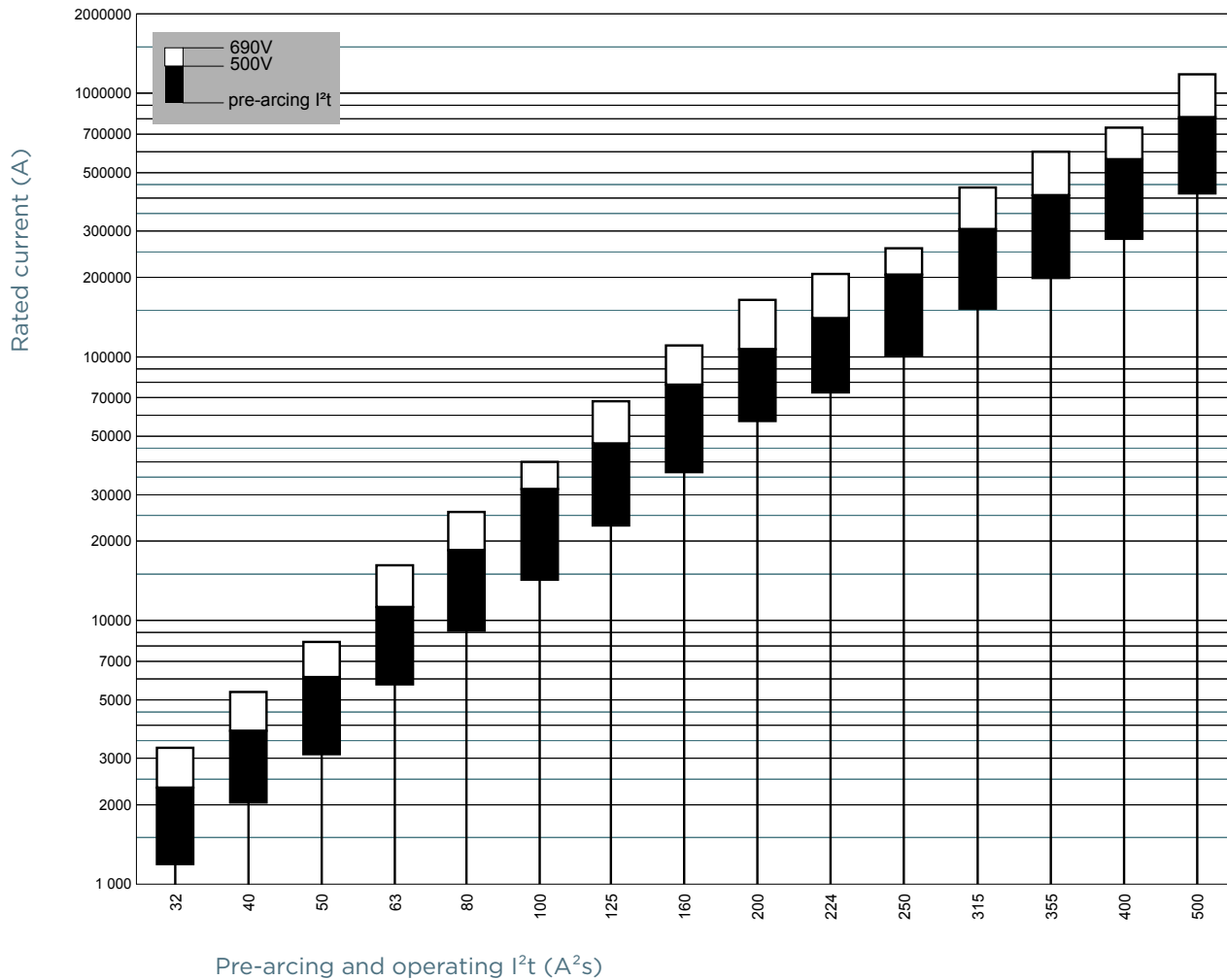


NH fuse-links aM 500 - 690VAC

with striker, size 0, 1, 2, 3, 4

PRE-ARCING AND OPERATING I²t CHARACTERISTICS

Size 0-1-2-3, 690V aM



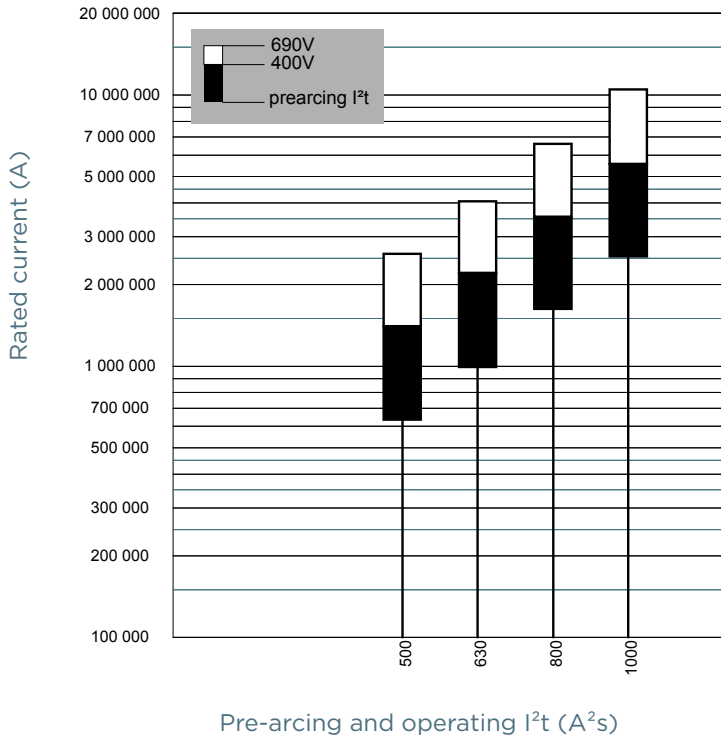
MERSEN reserves the right to change, update or correct, without notice, any information contained in this datasheet.

NH fuse-links aM 500 - 690VAC

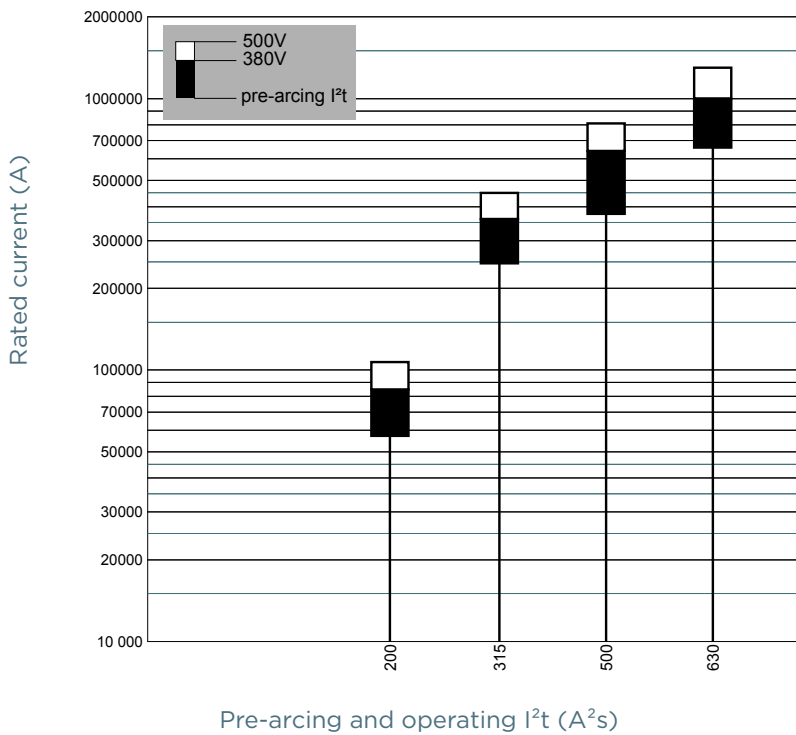
with striker, size 0, 1, 2, 3, 4

PRE-ARCING AND OPERATING I²T CHARACTERISTICS

Size 4, 690V aM



Size 0-1-2-3, 500V aM



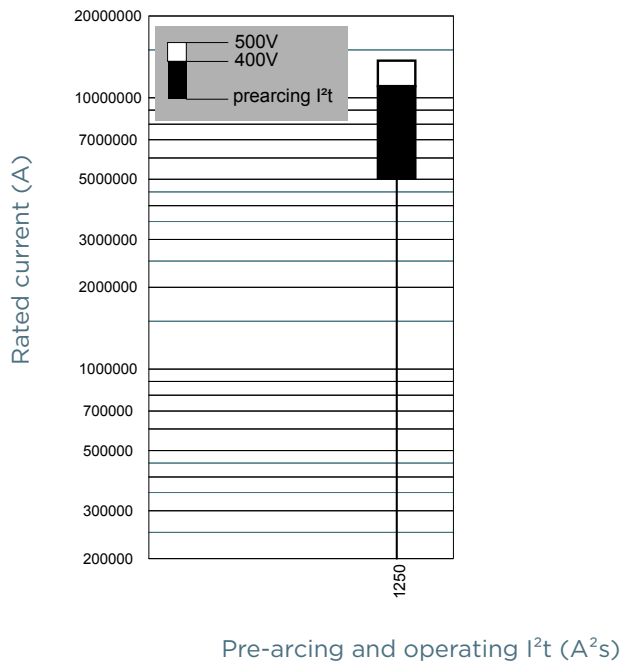
MERSEN reserves the right to change, update or correct, without notice, any information contained in this datasheet.

NH fuse-links aM 500 - 690VAC

with striker, size 0, 1, 2, 3, 4

PRE-ARCING AND OPERATING I²T CHARACTERISTICS

Size 4, 500V aM

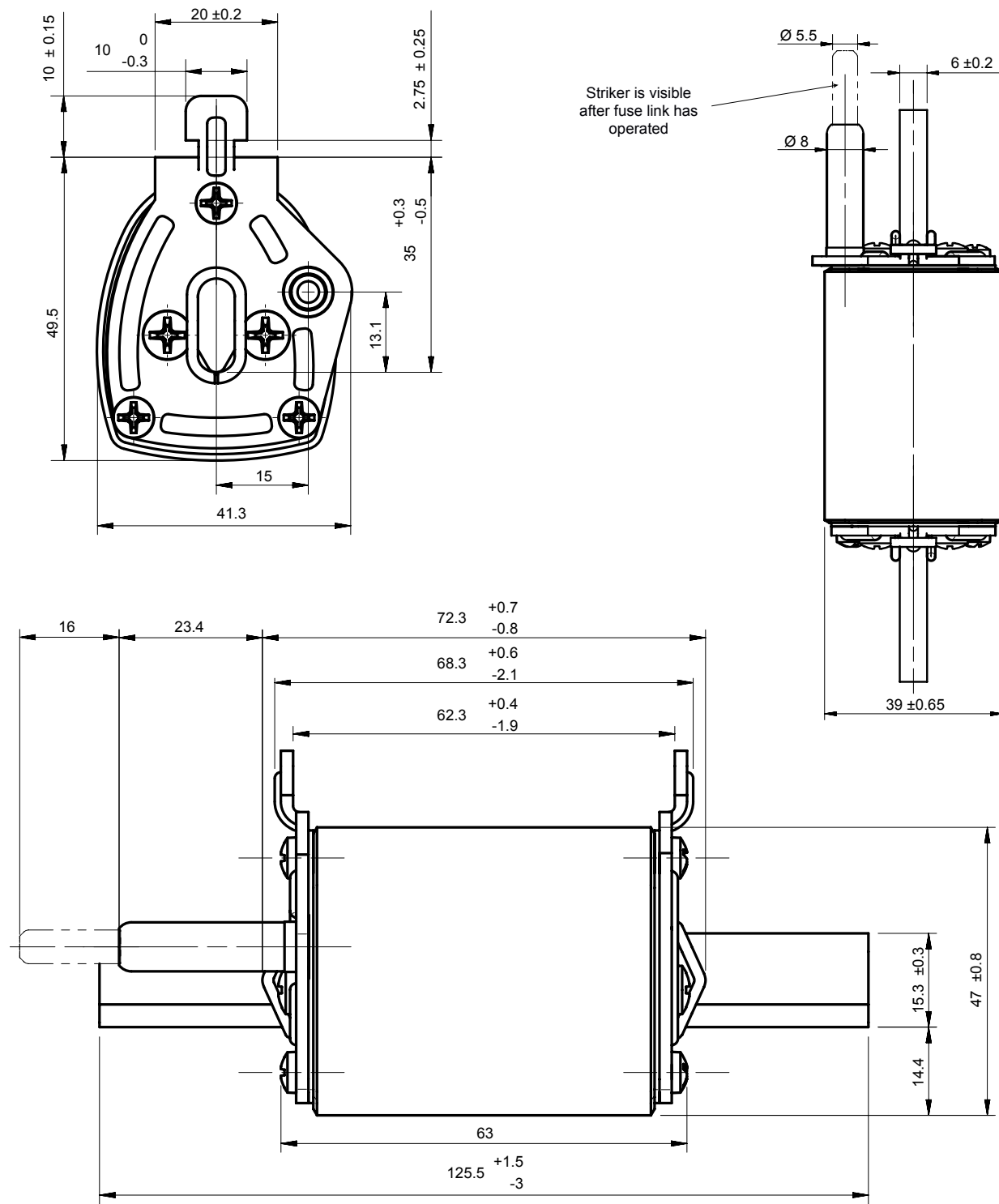


NH fuse-links aM 500 - 690VAC

with striker, size 0, 1, 2, 3, 4

DIMENSIONS

Size 0 (126458)



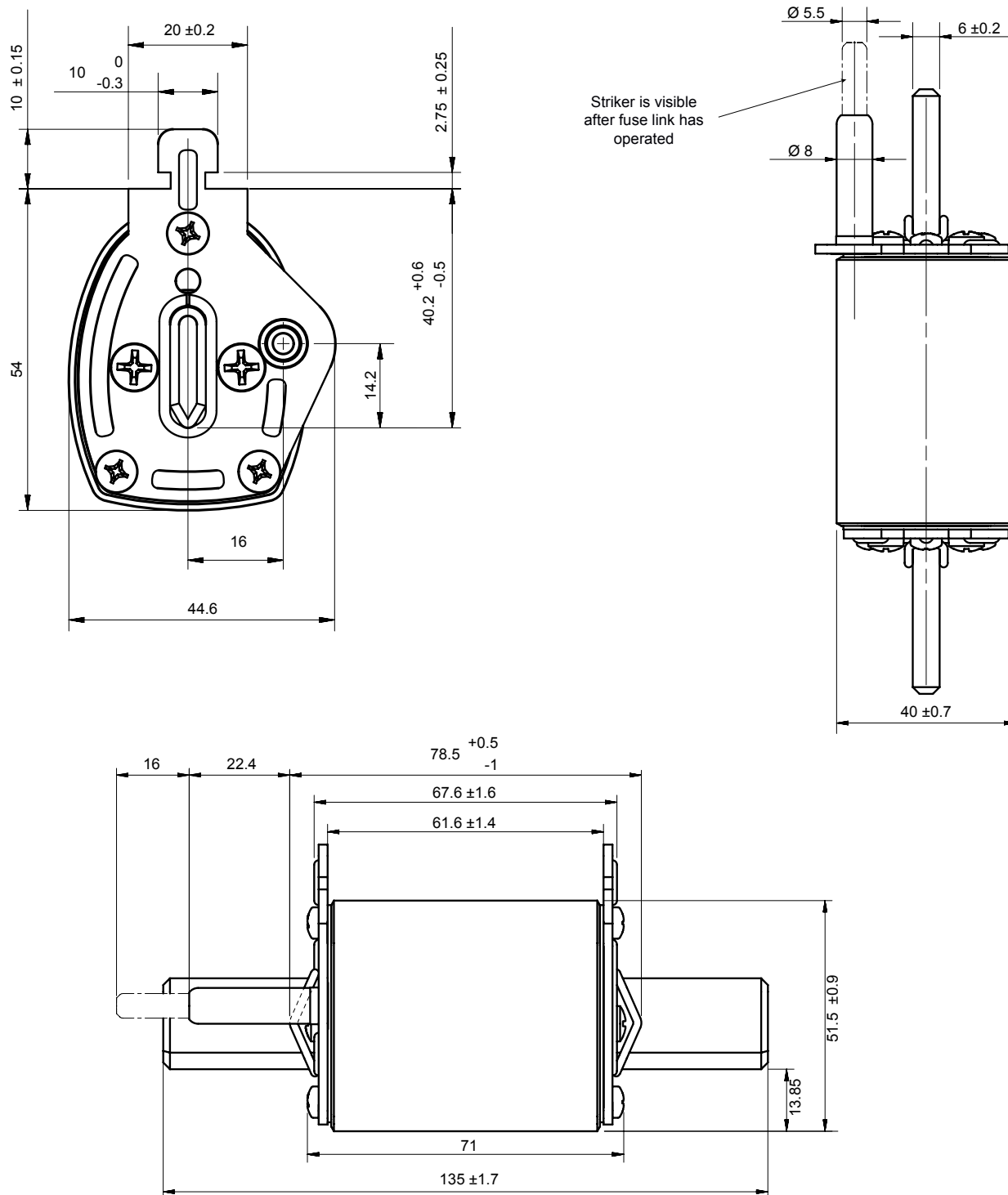
Dimensions in mm

NH fuse-links aM 500 - 690VAC

with striker, size 0, 1, 2, 3, 4

DIMENSIONS

Size 1 (126503)



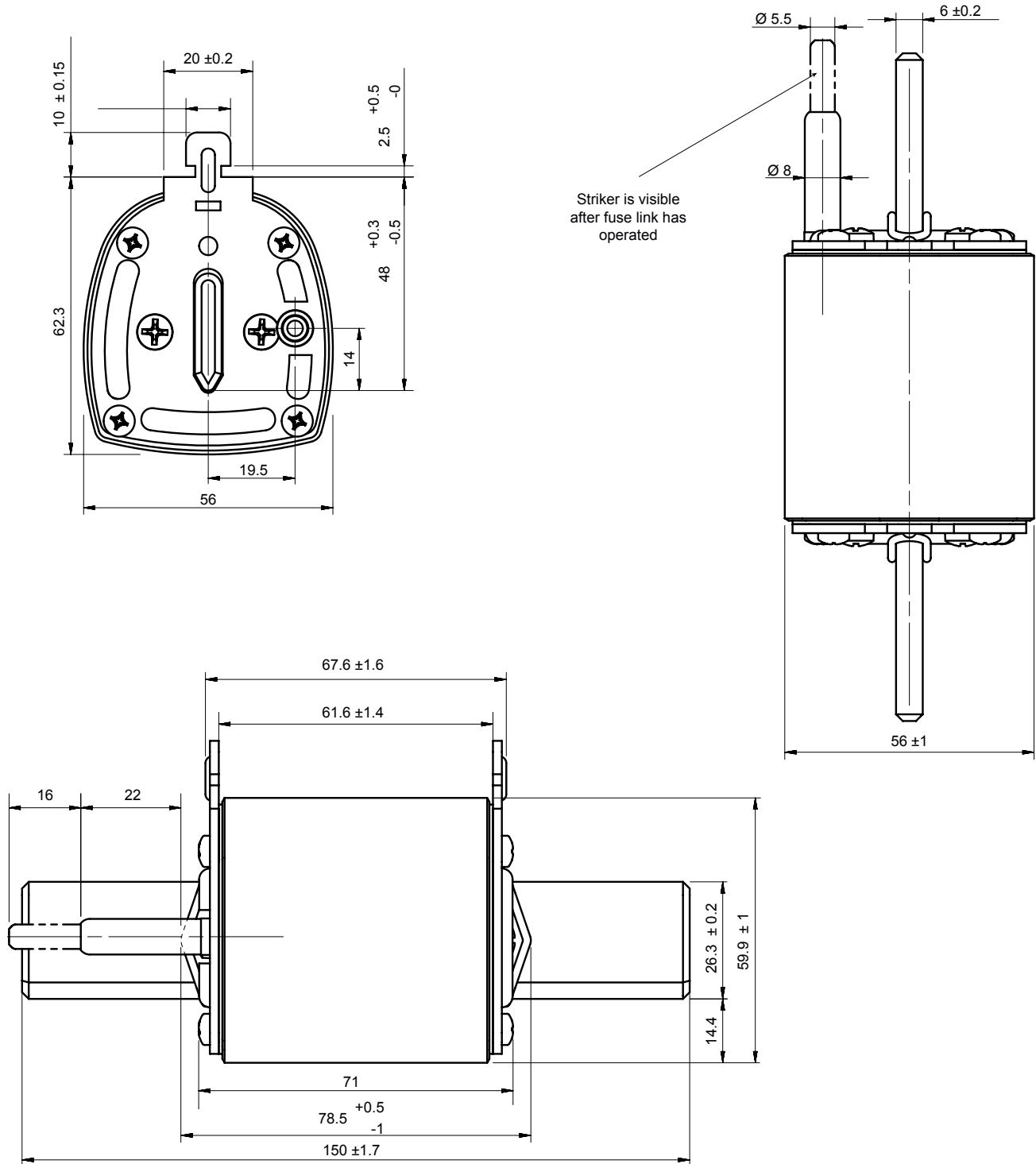
Dimensions in mm

NH fuse-links aM 500 - 690VAC

with striker, size 0, 1, 2, 3, 4

DIMENSIONS

Size 2 (126505)



Dimensions in mm

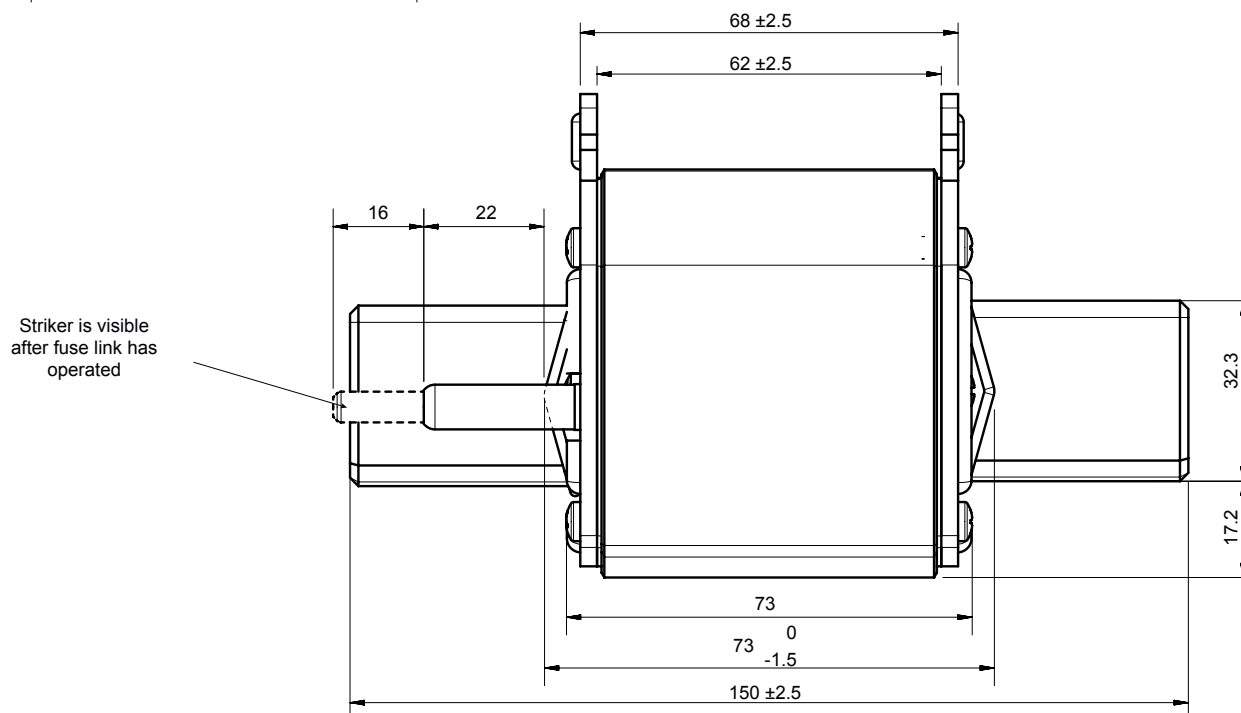
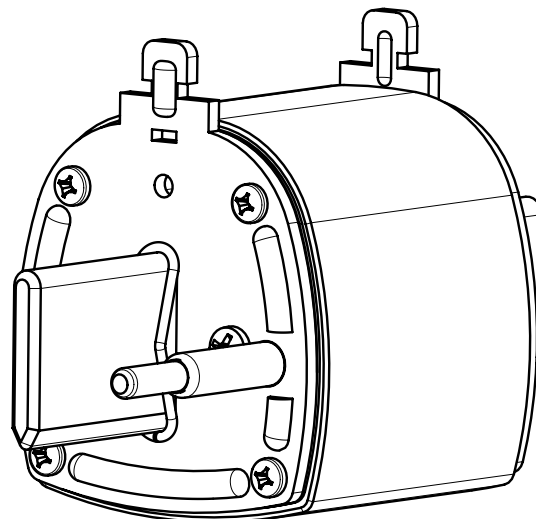
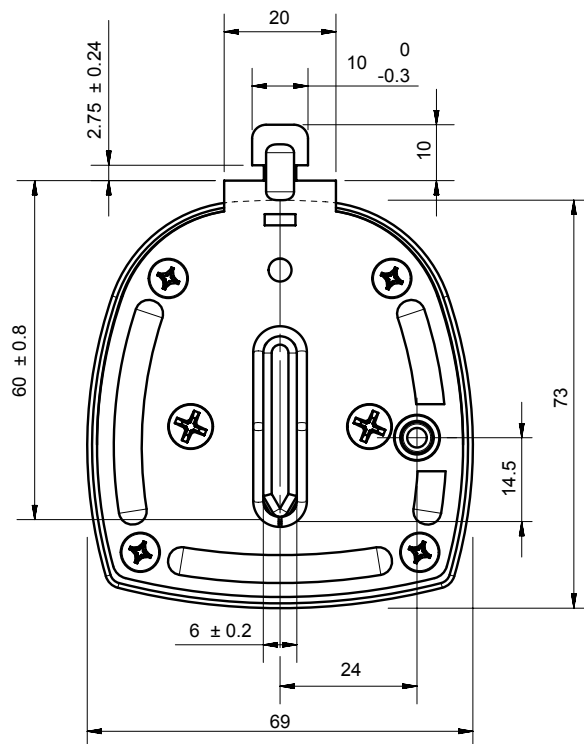
MERSEN reserves the right to change, update or correct, without notice, any information contained in this datasheet.

NH fuse-links aM 500 - 690VAC

with striker, size 0, 1, 2, 3, 4

DIMENSIONS

Size 3 (126508)



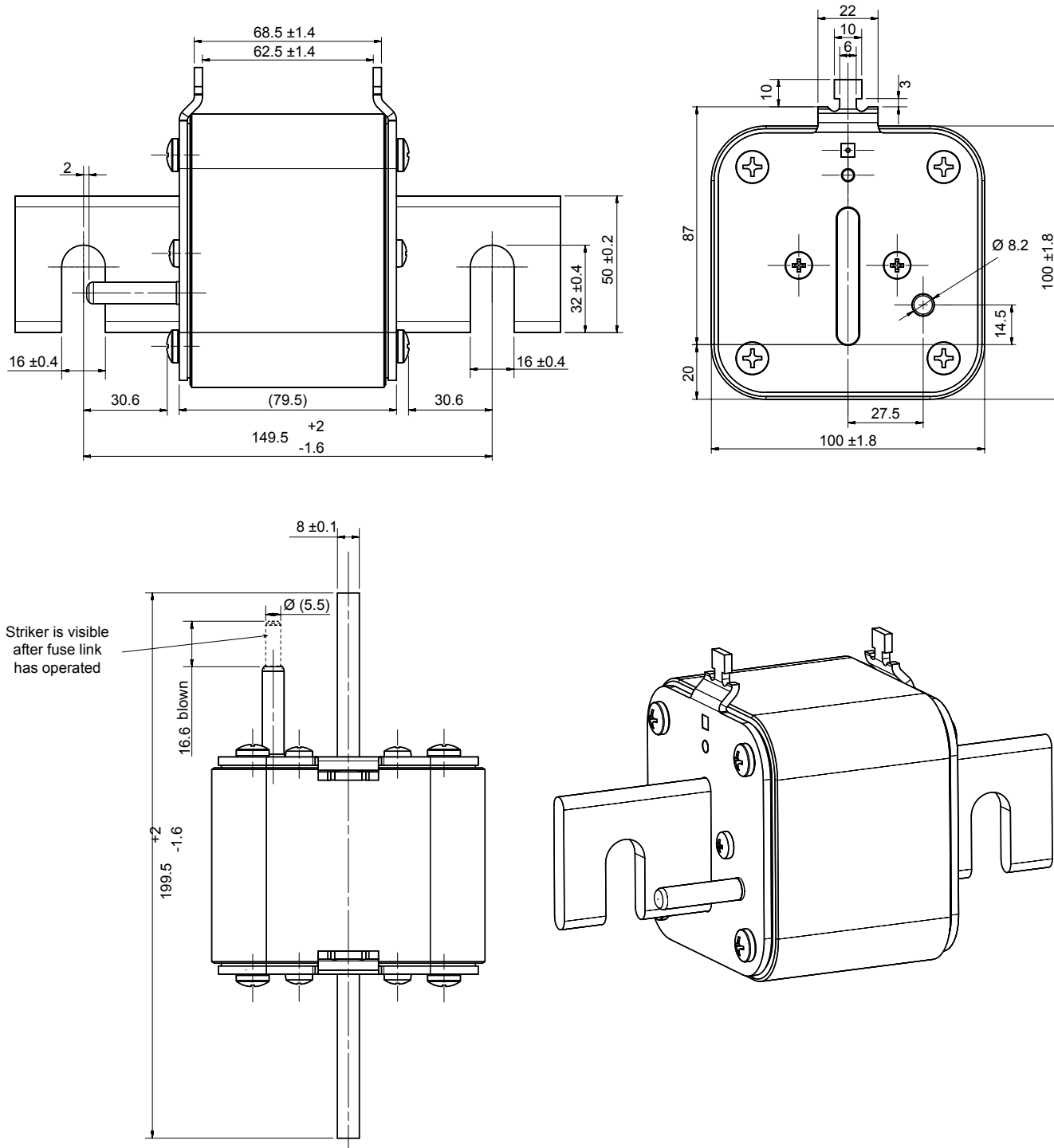
Dimensions in mm

NH fuse-links aM 500 - 690VAC

with striker, size 0, 1, 2, 3, 4

DIMENSIONS

Size 4 (1037473)



Dimensions in mm