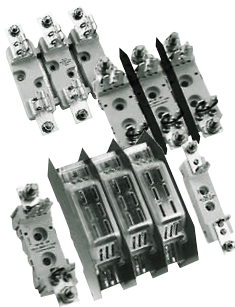


# NH Plastic bases

## FUSE HOLDERS, FUSE BASES AND SUPPORTS

### IEC NH FUSE BASES



NH fuse-bases are available for delivery in single-pole and three-pole designs and can be closely mounted in parallel rows. Each three-pole base is supplied with two phase-partition walls. NH-ISO plugon covers which clip onto the contact springs can also be supplied for these bases.

Plastic fuse-bases sizes 00 to 3 have a single-part plastic base while size 4 has a metal baseplate with 2 ceramic bases.

The stable silver-plated contact springs are made of electrolytic copper and formed from one piece. Separate springing is provided by highly resilient captive steel springs, making the contact invulnerable to high thermal stress. Size 4 NH fuse-bases are designed for size 4 fuse-links with 8 mm contact blades.

Indirect touch protection fuse bases: no microswitch possible.

### TECHNICAL DATA OVERVIEW

Voltage AC	690 VAC
Voltage DC	440 VDC
Ampere Range (A)	160 ... 630 A
Size per Standard	00, 0, 1, 2, 3, 4
Number of Poles	1-pole, 2-pole, 3-pole, 4-pole
Rated impulse withstand voltage $U_{imp}$	6 kV 8 kV

### FEATURES & BENEFITS

- Polyester insulating bases
- Silver-plated contacts
- High-pressure spring contacts
- Screw or rail mounting
- Multipolar bases available
- Connecting cable: 50mm

### APPLICATIONS

- For fuse-links with rated voltages up to 690VAC and 440VDC

### STANDARDS

- IEC 60269 Compliance
- Dimensions in accordance with DIN 43620
- DIN VDE 0636-2, 0636-21



# NH Plastic bases

## PRODUCT RANGE



BB001EPBR BB003EPV-  
BLOC

### NH Plastic bases Size 00

Catalog number	Item number	Size	Number of poles/ phases	Connection	Installation mode	Package	Weight
<b>Type EP (square contacts)</b>							
BB001EP	F215170	00	1	Screw	Screw	3	0.13 kg
BB001EPBR	F200795	00	1	Clamp	DIN rail	3	0.13 kg
BB001EPR	R216192	00	1	Screw	DIN rail	3	0.13 kg
BB00EPBT	T219805	00	1	Clamp	Screw	3	0.13 kg
BB001EPR-BR	G1060812	00	1	Screw / Clamp	DIN rail	3	0.13 kg
BB001EPBR-R	H1060813	00	1	Clamp / Screw	DIN rail	3	0.13 kg
BB002EP	A217212	00	2	Screw	Screw	2	0.29 kg
BB002EPR	F218758	00	2	Screw	DIN rail	2	0.29 kg
BB002EPB	D200793	00	2	Clamp	Screw	2	0.29 kg
BB002EPBR	T211594	00	2	Clamp	DIN rail	2	0.29 kg
BB003EPB	W201338	00	3	Clamp	Screw	1	0.4 kg
BB003EPBR	C212108	00	3	Clamp	DIN rail	1	0.4 kg
BB003EPRBLOC	V229121	00	3	Screw	DIN rail	1	0.4 kg
BB003EPVBLOC	W229122	00	3	Screw	Screw	1	0.4 kg
BB004EP	S219275	00	4	Screw	Screw	1	-
BB004EPR	Z223007	00	4	Screw	DIN rail	1	-
BB004EPB	R211592	00	4	Clamp	Screw	1	-
BB004EPBR	M215682	00	4	Clamp	DIN rail	1	-
<b>Indirect touch protection IP 20</b>							
BB001FS	M216694	00	1	Screw	Screw	3	0.19 kg
BB001RFS	S218240	00	1	Screw	DIN rail	3	0.19 kg
<b>Indirect touch protection</b>							
BB003RFSBLOC	S229119	00	3	Screw	DIN rail	1	0.53 kg
BB003SFSBLOC	T229120	00	3	Screw	Screw	1	0.53 kg

MERSEN reserves the right to change, update or correct, without notice, any information contained in this datasheet.

# NH Plastic bases

## PRODUCT RANGE



BB01EP

### NH Plastic bases Size 0

Catalog number	Item number	Size	Number of poles/phases	Installation mode	Package	Weight
<b>Type EP (square contacts)</b>						
BB01EP	B213142	0	1	Screw	3	0.19 kg
BB01EPR	S216193	0	1	DIN rail	3	0.19 kg
BB02EP	C214661	0	2	Screw	2	0.42 kg
BB02EPR	P216696	0	2	DIN rail	2	0.42 kg
BB03EP	G215171	0	3	Screw	1	0.64 kg
BB03EPR	C217214	0	3	DIN rail	1	0.64 kg
BB04EP	Q216191	0	4	Screw	1	0.88 kg
BB04EPR	J217726	0	4	DIN rail	1	0.88 kg
<b>Type PP (clip contacts)</b>						
BB01PP	N216695	0	1	Screw	3	0.19 kg
BB01PPR	T218241	0	1	DIN rail	3	0.21 kg
BB02PP	B217213	0	2	Screw	2	0.46 kg
BB02PPR	G218759	0	2	DIN rail	2	0.46 kg
BB03PP	G217724	0	3	Screw	1	0.62 kg
BB03PPR	W219278	0	3	DIN rail	1	0.62 kg
BB04PP	R218239	0	4	Screw	1	1 kg
BB04PPR	H222486	0	4	DIN rail	1	1 kg
<b>Indirect touch protection IP20</b>						
BB01PPFS	X226708	0	1	Screw	3	-
BB01EPRFS	G226717	0	1	DIN rail	3	0.31 kg
BB03PPFS	Z226710	0	3	Screw	1	-
BB03EPRFS	J226719	0	3	DIN rail	1	0.91 kg



BB11PP

### NH Plastic bases Size 1

Catalog number	Item number	Size	Number of poles/phases	Installation mode	Package	Weight
<b>Type PP (clip contacts)</b>						
BB11PP	E218757	1	1	Screw	3	0.43 kg
BB11PPR	A223008	1	1	DIN rail	3	0.44 kg
BB12PP	F222484	1	2	Screw	2	0.9 kg
BB12PPR	G200796	1	2	DIN rail	2	0.97 kg
BB13PP	Y223006	1	3	Screw	1	1.49 kg
BB13PPR	Y201340	1	3	DIN rail	1	1.5 kg
<b>Indirect touch protection IP20</b>						
BB11FS	V219806	1	1	Screw	3	0.7 kg
BB11PPRFS	P226724	1	1	DIN rail	3	0.71 kg
BB13PPRFS	Q226725	1	3	DIN rail	1	1.93 kg
<b>Type PP (clip contacts)</b>						
BB14PP	X201339	1	4	Screw	1	1.8 kg
BB14PPR	H201855	1	4	DIN rail	1	1.96 kg

MERSEN reserves the right to change, update or correct, without notice, any information contained in this datasheet.

# NH Plastic bases

## PRODUCT RANGE



BB21PP

### NH Plastic bases Size 2

Catalog number	Item number	Size	Number of poles/phases	Installation mode	Package	Weight
<b>Type PP (clip contacts)</b>						
BB22PP	S211593	0	2	Screw	2	1.15 kg
BB21PPR	E211075	0	1	DIN rail	3	0.53 kg
BB21PP	F201853	0	1	Screw	3	0.53 kg
BB22PPR	V211595	0	2	DIN rail	2	1.15 kg
BB23PP	B212107	0	3	Screw	1	1.75 kg
BB23PPR	D212109	0	3	DIN rail	1	1.78 kg
BB24PP	C213143	0	4	Screw	1	-
BB24PPR	R212627	0	4	DIN rail	1	-
<b>Indirect touch protection IP20</b>						
BB21PPFS	C226713	2	1	Screw	3	-
BB21PPRFS	R226726	2	1	DIN rail	3	0.84 kg
BB23PPFS	D226714	2	3	Screw	1	-
BB23PPRFS	S226727	2	3	DIN rail	1	2.22 kg



BB31PP

### NH Plastic bases Size 3

Catalog number	Item number	Size	Number of poles/phases	Installation mode	Package	Weight
<b>Type PP (clip contacts)</b>						
BB31PP	W213643	3	1	Screw	3	0.72 kg
BB31PPR	X213644	3	1	DIN rail	3	0.73 kg
BB32PP	D214662	3	2	Screw	2	1.55 kg
BB32PPR	B214154	3	2	DIN rail	2	1.6 kg
BB33PP	H215172	3	3	Screw	1	2.36 kg
BB33PPR	F214664	3	3	DIN rail	1	2.39 kg
BB34PP	L215681	3	4	Screw	1	3.22 kg
BB34PPR	K215174	3	4	DIN rail	1	3.31 kg
<b>Indirect touch protection IP20</b>						
BB31PPFS	E226715	3	1	Screw	3	-
BB31PPRFS	T226728	3	1	DIN rail	3	1.1 kg
BB33PPFS	F226716	3	3	Screw	1	-
BB33PPRFS	V226729	3	3	DIN rail	1	2.22 kg

### NH Plastic bases for NH fuse-links with striker

Catalog number	Item number	Size	Number of poles/phases	Installation mode	Package	Weight
<b>For NH fuse-links with striker</b>						
BB01PPMS	T216194	0	1	Screw / DIN rail	1	0.29 kg
BB11PPMS	Q216697	1	1	Screw / DIN rail	1	0.52 kg
BB21PPMS	D217215	2	1	Screw / DIN rail	1	0.61 kg
BB31PPMS	H218760	3	1	Screw / DIN rail	1	0.8 kg

### NH Plastic bases Size 4 type P (clip contacts) fuse bases

Catalog number	Item number	Size	Number of poles/phases	Installation mode	Package	Weight
BB41P	W223004	4	1	Screw	1	2.23 kg

MERSEN reserves the right to change, update or correct, without notice, any information contained in this datasheet.

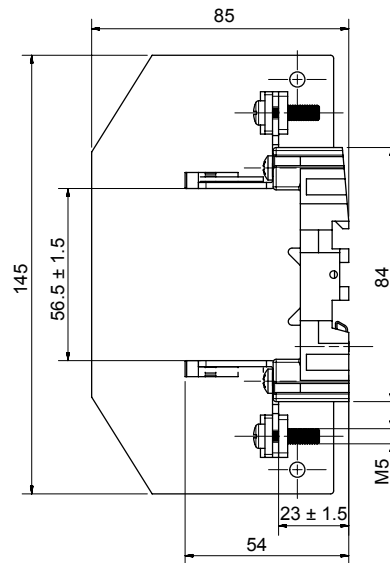
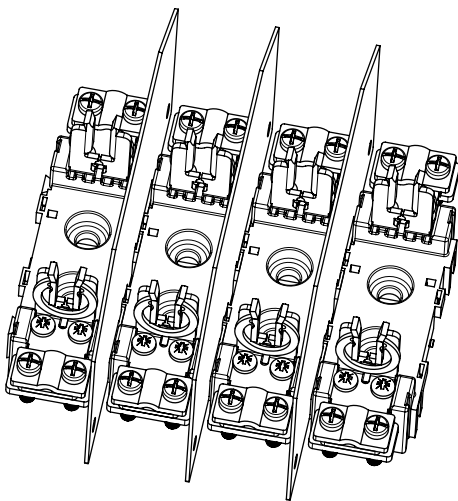
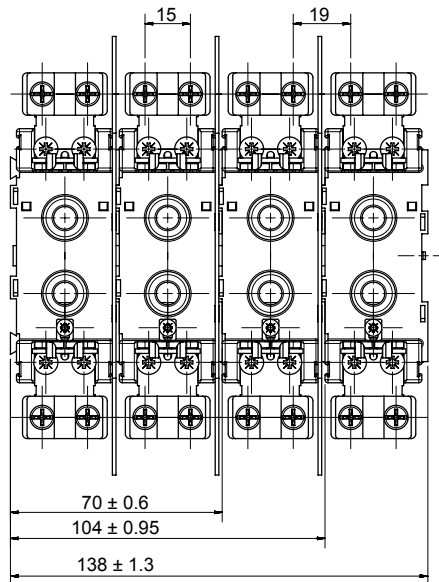
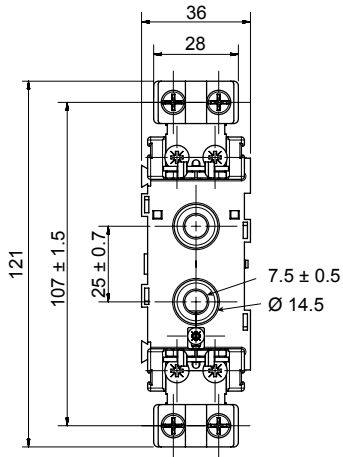
# NH Plastic bases

## TECHNICAL DATA

	Size 00 type EP - TP	Size 0	Size 1	Size 2	Size 3	Size 4
Connection	M8	M8	M10	M10	M12	-
Tightening torque (on base)	6Nm (screw M6)	6Nm (screw M6)	14-17Nm (screw M8-M10)	14-17Nm (screw M8-M10)	14-17Nm (screw M8-M10)	-
Tightening torque (max.)	12Nm	13,2Nm	32Nm	32Nm	40Nm	-
Tightening torque (recommended)	8-10Nm	8-10Nm	27-32Nm	27-32Nm	27-32Nm	-

## DIMENSIONS

### NH00-EP clamp

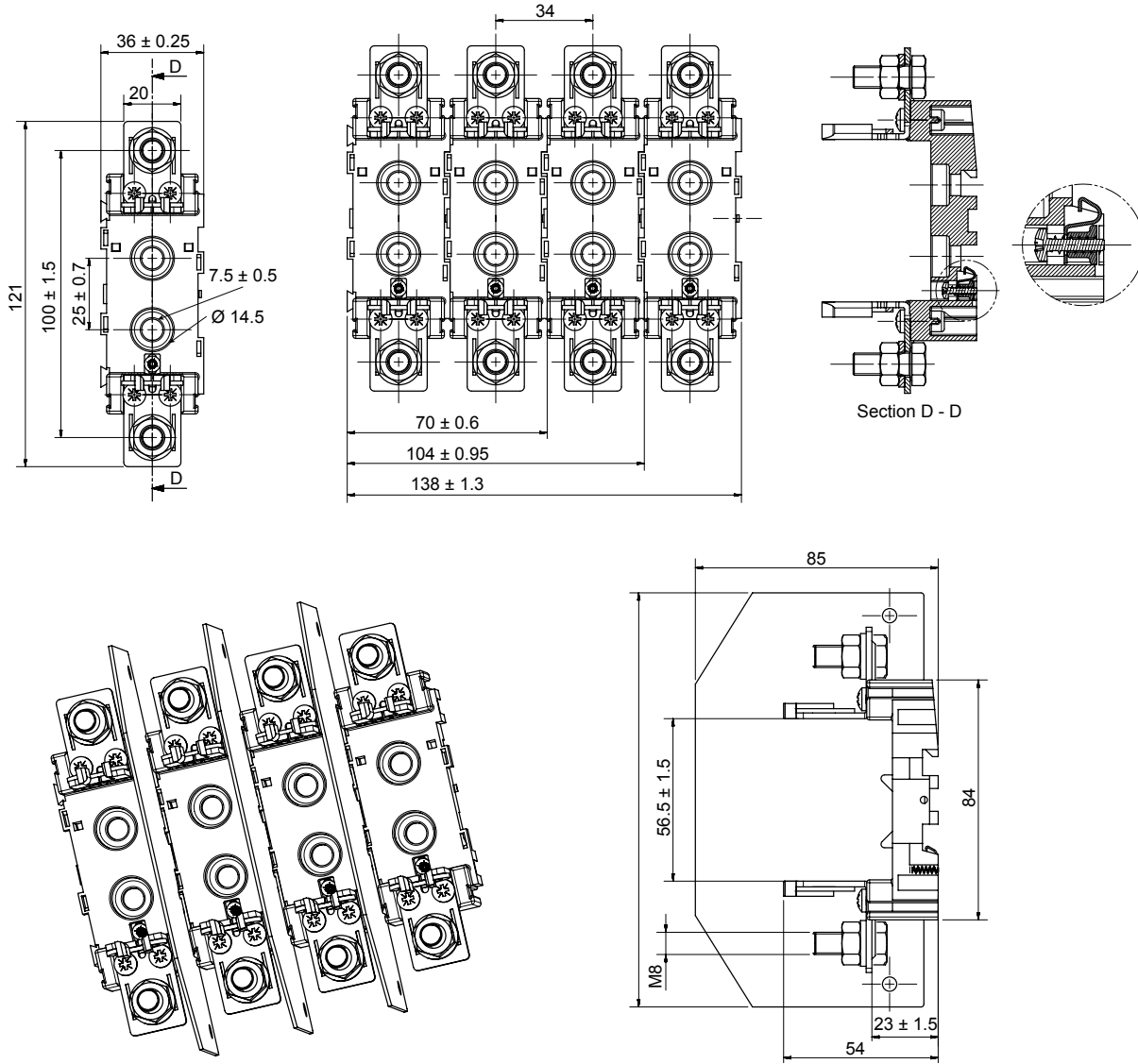


Dimensions in mm

# NH Plastic bases

## DIMENSIONS

### NH00-EP screw

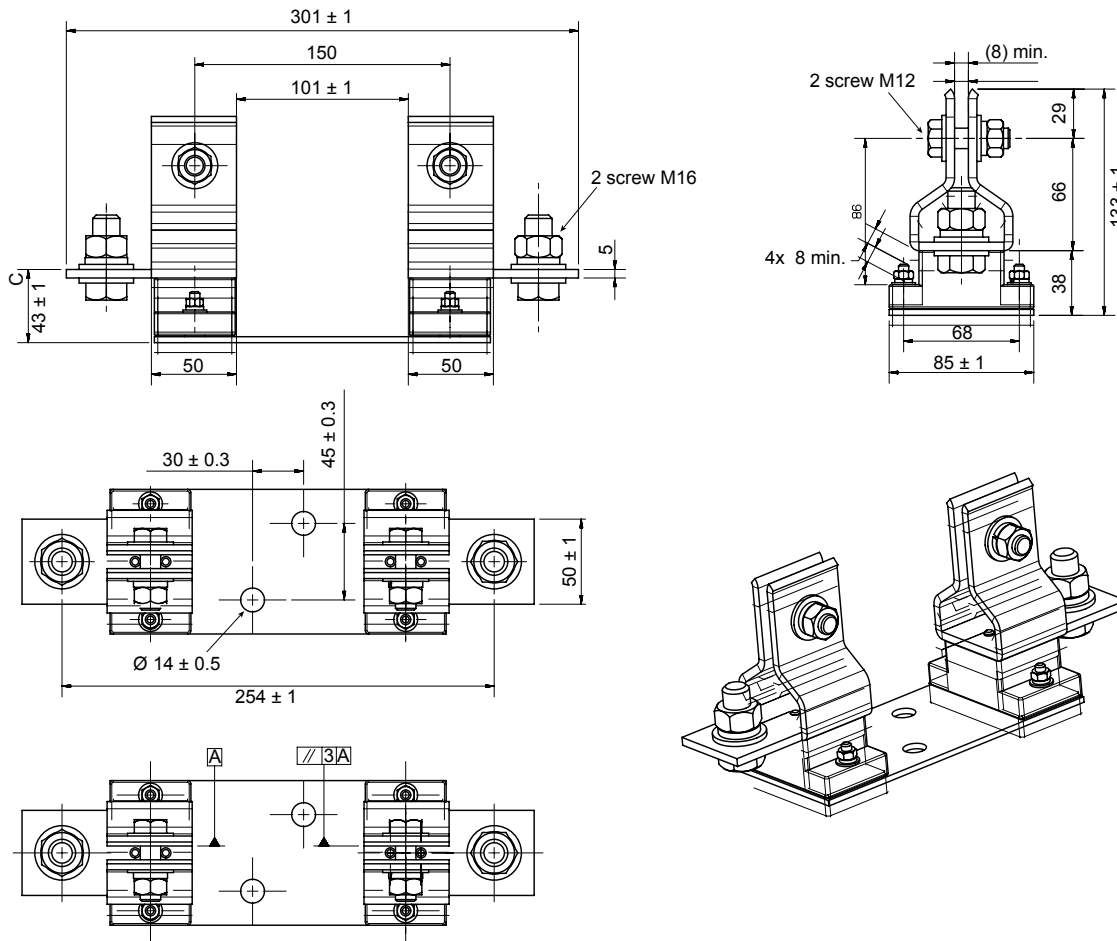


Dimensions in mm

# NH Plastic bases

## DIMENSIONS

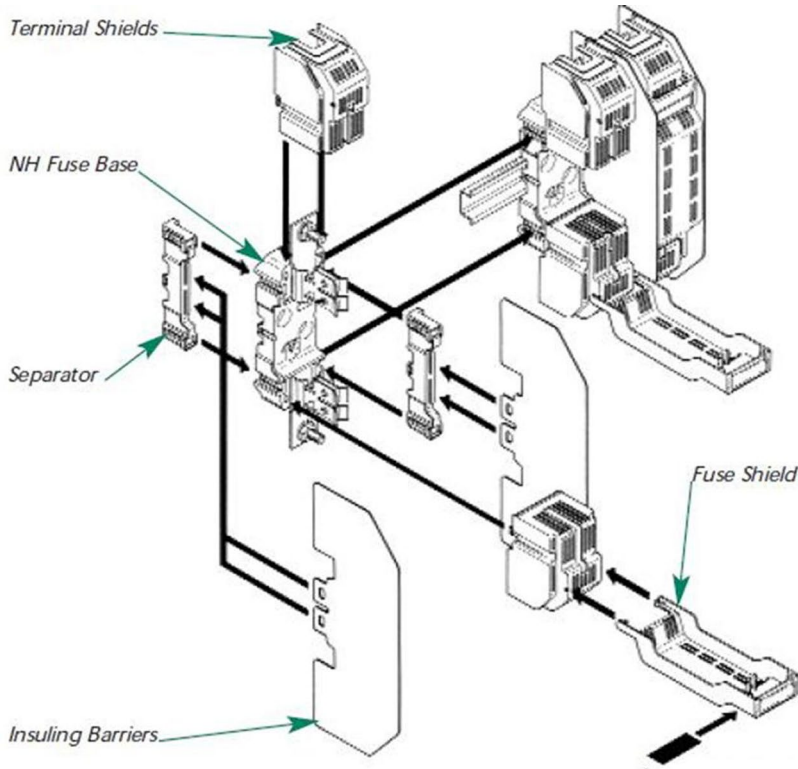
### NH4



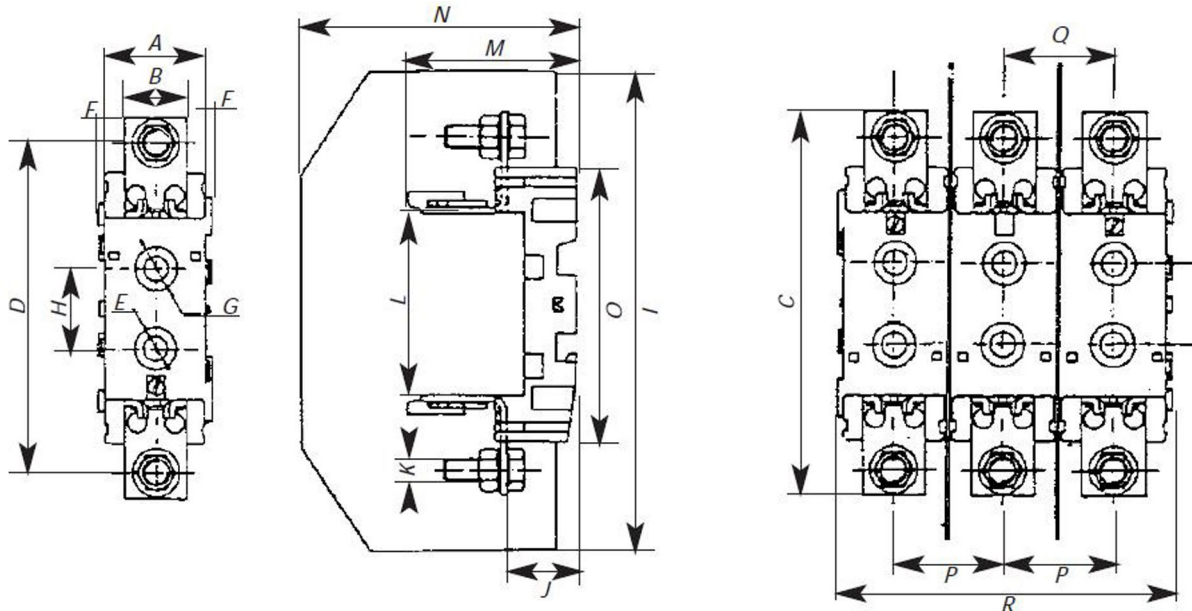
Dimensions in mm

# NH Plastic bases

## DIMENSIONS



Dimensions in mm

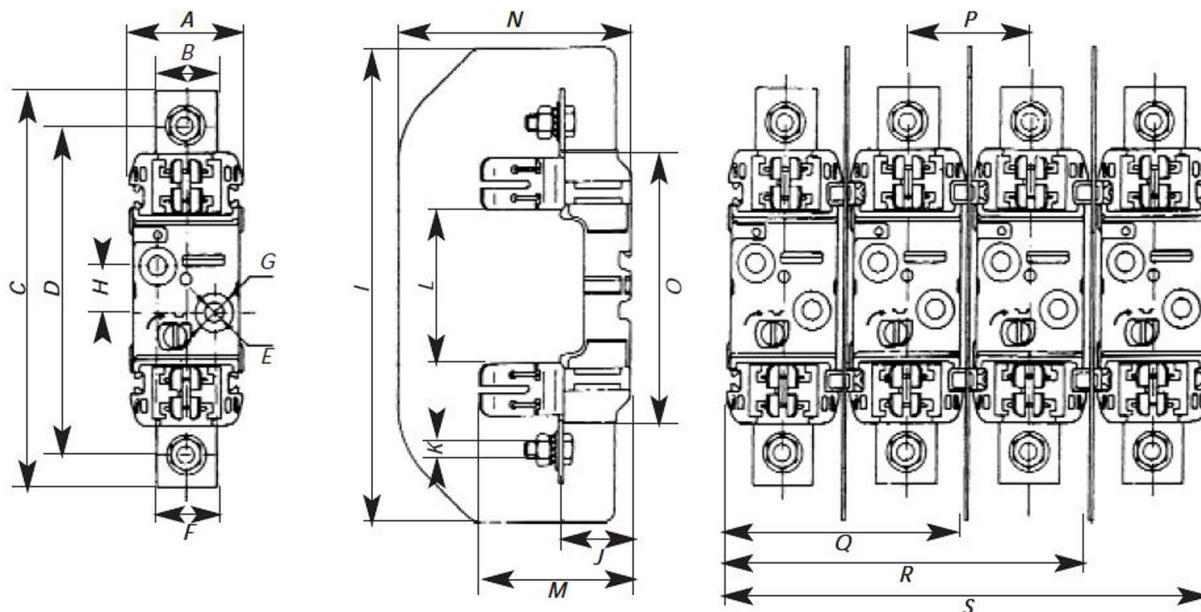


Dimensions in mm



# NH Plastic bases

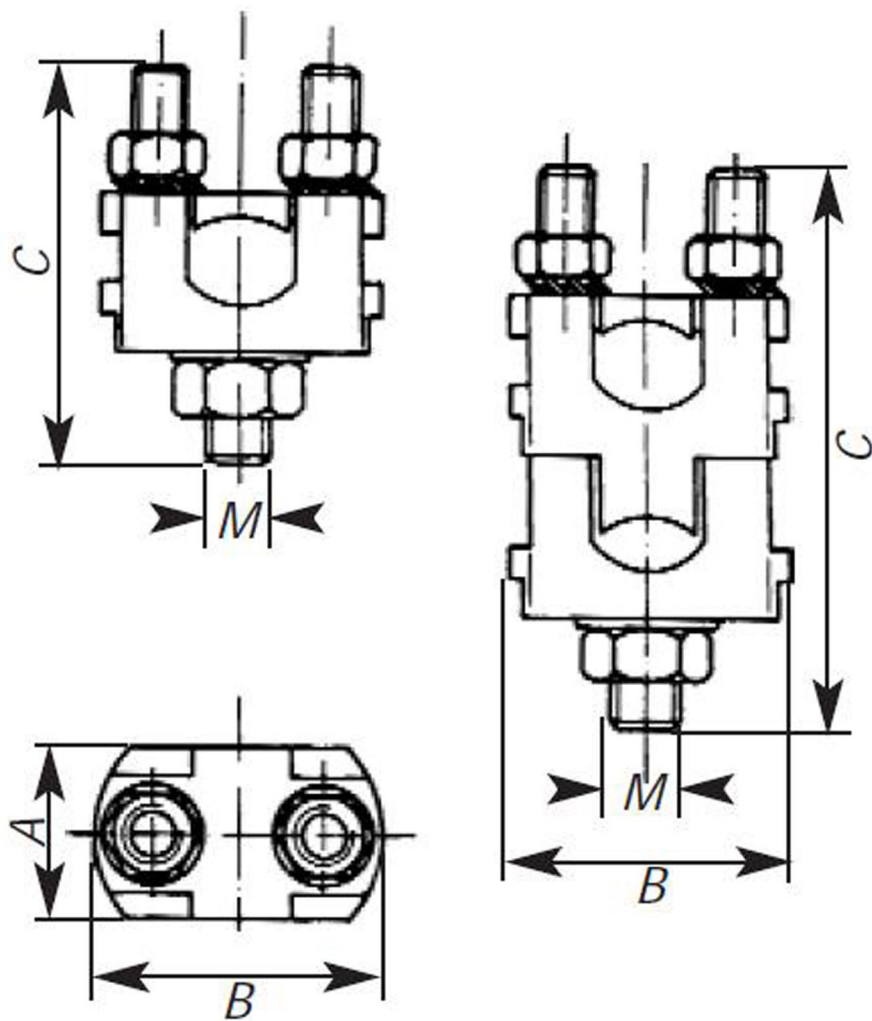
## DIMENSIONS



Dimensions in mm

# NH Plastic bases

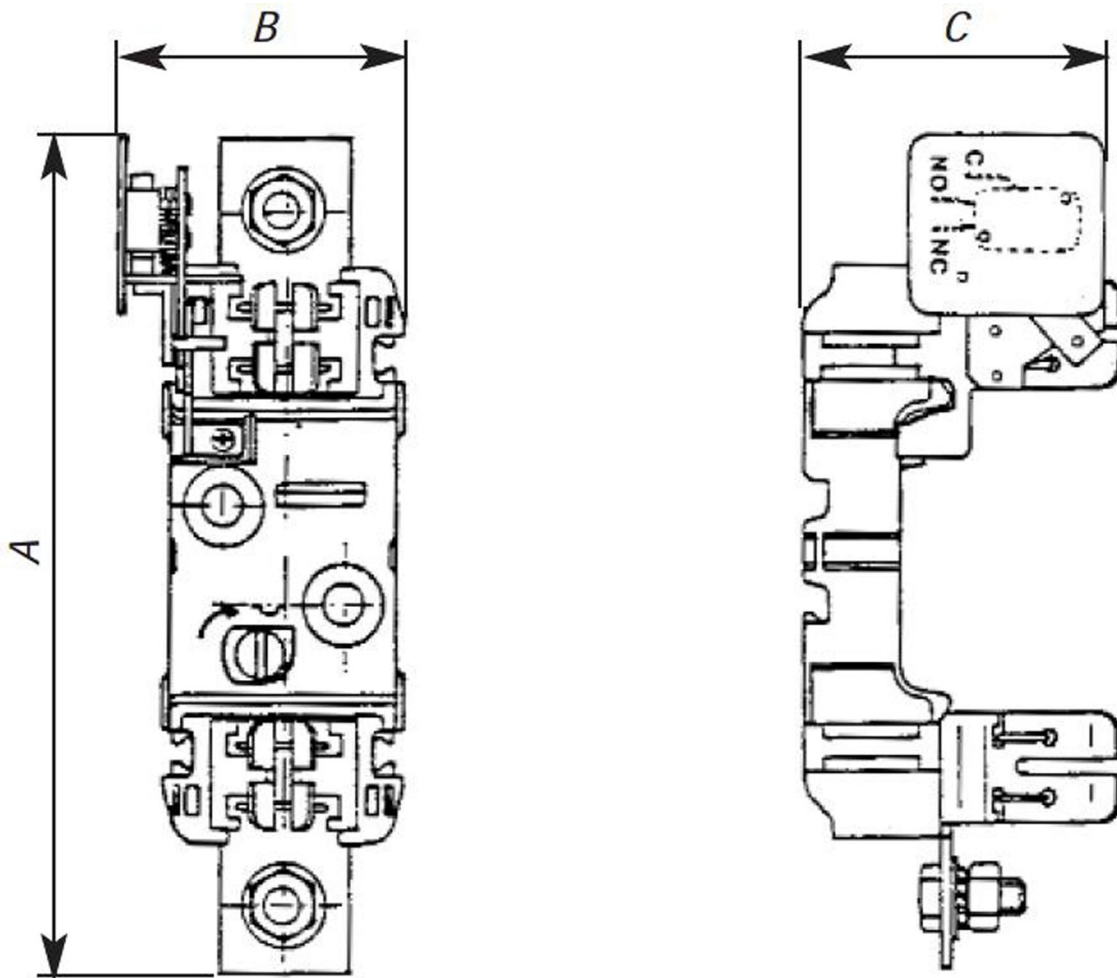
## DIMENSIONS



Dimensions in mm

# NH Plastic bases

## DIMENSIONS



Dimensions in mm

## ACCESSORIES



BB00TS

### Cover/shrouds for cable termination

Catalog number	Item number	Weight
BB00TS	M222513	14.4 g
BB0TS	K200822	24.1 g
BB1TS	L201881	51.6 g
BB2TS	Y211621	53.3 g
BB3TS	X212655	0.1 kg

## ACCESSORIES



BB00COV

### Covers/protective covers for tags

Catalog number	Item number	Weight
BB00COV	G213170	20 g
BB0COV	F214181	28.3 g
BB1-2COV	K214691	48.3 g
BB3COV	R215709	58 g



BB00CL

### Phase barriers

Catalog number	Item number	Weight
BB001BLOC	B233865	20 g
BB00CL	W212654	18.7 g
BB0CL	Z213669	20 g
BB1-2PPCL	J214690	45 g
BB3PPCL	Q215708	65 g

### Varieties of cable termination

Catalog number	Item number
BORNEABF150	N218788
BORNEABF150D	F223036
BORNEABF240	A219305
BORNEABF240D	B201366
BORNEABF50D	B219835
BORNEABF95	A218270
BORNEABF95D	P222515

### Auxiliary Switches

Catalog number	Item number	Weight
MSBB01	X219279	39 g
MSBB11	Y219809	41 g
MSBB21	J222487	41 g
MSBB31	B223009	33 g



BBPAKO

### Multipole assembly

Catalog number	Item number	Weight
BBPAK0	V216724	7.5 g
BBPAK1-2	N217753	20 g
BBPAK3	M218787	27.5 g