

MULTIFIX® 60

D02 Vertical Fuse Switch Disconnecter 63A, 400VAC, Triple Pole Switching

BUS BAR SYSTEMS

COMPONENTS FOR 60MM SYSTEMS



MULTIFIX® 60 is a system for energy distribution comprising a variety of modular combinable components. The energy distribution is carried out via copper bus bars in a 60 mm bus bar system up to 630 A, 400 V AC, 500 V AC, 690 V AC, 45–62 Hz. Short circuit withstand tested to VDE 0660 part 500 and IEC 60439-1.

MULTIFIX® 60 is suitable for triple pole, quadruple pole and quintuple pole applications.

The components of the MULTIFIX® 60 system are mounted directly without drilling. This method offers high flexibility for extension and alteration of existing installations -> reduced installation time.

MULTIFIX® 60 D02-vertical fuse switch disconnecter, triple pole switching is designed for direct installation on to 60 mm bus bar systems, for bus bars width 20–30 mm and thickness 5–10 mm. The standard design is for bus bars with a thickness of 5 mm. For installation of bus bars with thickness 10 mm the appropriate distance pieces have to be broken away. Re-installation on to bus bars with thickness 5 mm is possible by using level adjustment HA 5 catalogue no. 1.001.039.

The component is installed easily by snapping directly on to the bus bar and interlocking automatically.

TECHNICAL DATA OVERVIEW

Voltage AC	400 VAC
Amper (A)	63 A
Size per Standard	D02
SCCR	Ue = AC 400 V; Ie = 63 A 50 kA
Switchability	triple pole switching
Product Size	D02
Number of Poles	3

FEATURES & BENEFITS

- For bus bars with width 12 - 30mm and thickness 5 - 10mm
- For direct installation without drilling on to 60mm bus bar systems
- Ease of installation - snap in mode and automatic interlocking
- Use of standard D02-screw caps
- For D01- and D02-fuse links and D0-cartridge ring adapter inserts in accordance with IEC/EN 60269-3, VDE 0636-3

APPLICATIONS

- Panel board builders
- Control system engineering
- Industrial plants
- Heating & air conditioning systems

STANDARDS

- IEC/EN 60 947-3
For D01- and D02-fuse links and D0-push-in gauge piece in accordance with IEC/EN 60 269-3, VDE 0636-3



PRODUCT RANGE



1.001.040

D02-vertical fuse switch disconnecter 63 A, 400 V AC triple pole

Catalog number	Reference number	Poles	Design	Weight kg ¹	Package
1.001.040	V1026600	3	triple pole switching	0.26	1 piece

¹weight in kg per piece or set including package



1.001.039

Level adjustment to re-equip switch for installation on to bus bars with thickness of 5mm (after having been installed on to bus bars with a thickness of 10mm)

Catalog number	Reference number	Design	Weight kg ¹	Package
1.001.039	T1026599	distance piece height 5 mm for re-installation on to bus bars with a thickness of 5 mm after dismanteling of installation on to 10 mm bus bars	0.002	100

¹weight in kg per piece or set including package



1.001.041

Distance module for enhanced air circulation for high density installations

Catalog number	Reference number	Design	Weight kg ¹	Package
1.001.041	W1026601	distance module 9 mm	0.01	1
1.001.042	X1026602	distance module 9 mm with extension	0.02	1

¹weight in kg per piece or set including package



1.001.042



1.001.043

Indicating switch for switch door position (open - closed)

Catalog number	Reference number	Poles	Design	Weight kg ¹	Package
1.001.043	Y1026603	3	indicator for switch door position	0.008	100

¹weight in kg per piece or set including package

MULTIFIX® 60

D02 Vertical Fuse Switch Disconnecter 63A, 400VAC, Triple Pole Switching

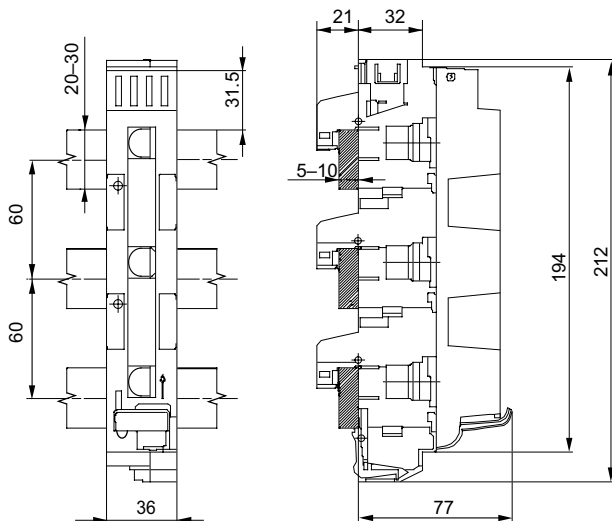
TECHNICAL DATA IN ACCORDANCE WITH EN / IEC 60947

DO-vertical fuse switch	
Number of poles/phases	3
Size	D02
Conventional free air thermal current with NH-fuse links I_{th}	63 A
Max. power dissipation of fuse links P_n	5,5W
Utilization category to IEC/EN 60947-3 $U_e = AC 400 V; I_e = 25 A$	DC 22 B
Rated operational voltage U_e	400 V
Rated impulse withstand voltage U_{imp}	8 kV
Rated frequency	50 ... 60 Hz
Degree of protection	IP 20
Degree of pollution	3
Rated duty	uninterrupted duty
Electrical endurance (operating cycles)	300
Mechanical endurance (operating cycles)	1700
Over voltage category	III
Installation mode	bus bar installation
Cable terminal connection	
Standard cable terminal	frame clamp 2-5-16mm ² fine stranded 2-5-25mm ² Cu round solid, round stranded
Bus bar terminal connection	
Bus bar width (bus bar system = 60 mm)	20 and 30mm
Bus bar thickness (bus bar system = 60 mm)	5 and 10mm

DIMENSIONS

**D02-vertical fuse switch disconnecter triple pole switching
for direct installation on to 60mm bus bar system**

(M02006)



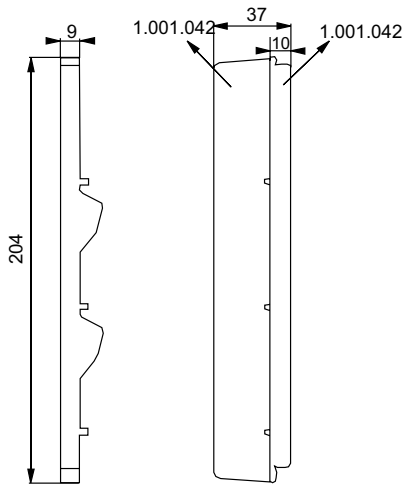
Dimensions in mm

MULTIFIX® 60

D02 Vertical Fuse Switch Disconnecter 63A, 400VAC, Triple Pole Switching

DIMENSIONS

Distance module for enhanced air circulation for high density installations (M02012)



Dimensions in mm