

# MULTIBLOC® 2.RST8

Size 2, 400A, 690VAC, Design for bus bar installation, Triple Pole

## IEC FUSE SWITCH DISCONNECTORS

### NH FUSE SWITCH DISCONNECTOR



The production programme of MULTIBLOC® 2.RST8 comprises NH fuse switch disconnectors for 400A.

Products are designed in triple pole units for direct installation on to 40 mm and 60 mm bus bar systems.

For installation of MULTIBLOC® NH fuse switch disconnectors of different sizes in distribution units with central cover, respective covers are used to obtain a uniform profile in height and length.

MULTIBLOC® size 2 are designed for NH fuse-links in accordance with IEC/EN 60269-2, VDE 0636-2, size 2: 400A.

The system is a modular system, which allows the installation and combination of individual components. MULTIBLOC® offers the user the possibility of fast and easy installation as well as a high degree of security during installation and maintenance.

## TECHNICAL DATA OVERVIEW

Voltage AC	690 VAC
Voltage DC	440 VDC
Amper (A)	400 A
Size per Standard	2
SCCR	Ue = AC 400 V; Ie = 400 A 80kA Ue = AC 500 V; Ie = 400 A 80kA Ue = AC 690 V; Ie = 315 A 80kA
Mounting	bus bar installation
Switchability	triple pole switching

## FEATURES & BENEFITS

- Touch protection IP 20 (IP rating maintained if fuse-link in test mode)
- Parking position of switch operating cover even with fuse-links inserted
- Direct installation on to bus bar (snap on)
- Switch still adjustable after being snapped on to busbars and fixed after adjustment
- Universally useable for bus bars with thickness of 5-10mm and widths of 12-30mm
- Symmetrical switch: suitable for bottom/top cable terminal connections
- Cable termination: screw, bolt, clamp strap, extendable for V-terminal - optional
- Electronic or electro-mechanic fuse monitoring - optional
- Cover for touch protection for direct installation on to busbar systems - optional
- Safe on load connection/disconnection: accordance with IEC 60947-3

## APPLICATIONS

- Panel boards for industrial use
- Feeder pillars for industrial use
- Meter distribution units
- Measuring transformer cabinets
- Transmitting stations for telecommunications

## STANDARDS

- IEC/EN 60 947-3  
For NH fuse-links size 2 in accordance with IEC/EN 60269-2, VDE 0636-2



# MULTIBLOC® 2.RST8

Size 2, 400A, 690VAC, Design for bus bar installation, Triple Pole

## PRODUCT RANGE



1.000.704



1.003.135



1.000.856

### MULTIBLOC® 2.RST8 size 2 400A, 690VAC bus bar installation, triple pole

Catalog number	Reference number	Poles	Cable termination components	Design	Weight kg <sup>1</sup>	Package
1.000.704	M1002167	3	3 M10 terminal screws	-	4.77	1 piece
1.001.295	C1023065	3	3 clamp straps 120–240 mm <sup>2</sup>	-	4.61	1 piece
1.003.135	D1023066	3	3 M10 terminal screws	with electronic fuse monitoring ESÜ installed (rated voltage = 525VAC)	4.60	1 piece
1.000.856	Z1023062	3	3 M10 terminal screws	with electro-mechanic fuse monitoring MZS installed (galvanic isolation)	5.28	1 piece
1.001.028	A1023063	3	6 M10 terminal screws	main incomer	5.74	1 piece

<sup>1</sup>weight in kg per piece or set including package

# MULTIBLOC® 2.RST8

Size 2, 400A, 690VAC, Design for bus bar installation, Triple Pole

## TECHNICAL DATA IN ACCORDANCE WITH EN / IEC 60947

	<b>2.RST8 triple pole</b>
Number of poles/phases	3
Size	2
Conventional free air thermal current with NH-fuse links $I_{th}$	400 A
Max. power dissipation of fuse links $P_n$	34 W
Conventional free air thermal current with solid links $I_{th}$	530 A
Max. power dissipation of solid links $P_n$	9 W
Utilization category to IEC/EN 60947-3 $U_e = AC 400 V; I_e = 400 A$ $U_e = AC 500 V; I_e = 400 A$ $U_e = AC 690 V; I_e = 315 A$ $U_e = DC 440 V; I_e = 400 A$	AC 23 B AC 22 B AC 21 B DC 21 B
Rated operational voltage $U_e$	690 V
Rated insulation voltage $U_i$	1000 V
Rated impulse withstand voltage $U_{imp}$	12 kV
Rated frequency	50 ... 60 Hz
Degree of protection	IP 20
Degree of pollution	3
Rated duty	uninterrupted duty
Rated conditional short-circuit current with fuse links $U_e = AC 400 V; I_e = 400 A$ $U_e = AC 500 V; I_e = 400 A$ $U_e = AC 690 V; I_e = 315 A$	80 kA 80 kA 80 kA
Rated short circuit making capacity with solid links $I_{cm}$	10.6 kA <sub>sw</sub>
Rated short-time withstand current $I_{cw}$	13 kA / 1 s
Power dissipation by $I_{th}$ without NH-fuse links	60 W
Installation mode	bus bar installation
<b>Cable terminal connection</b>	
Standard cable terminal	M10
for cable lugs Cu max.	2 x 185 mm <sup>2</sup>
for cable lugs Al max.	2 x 240 mm <sup>2</sup>
for copper bars with max. dimensions	35 x 10 mm
<b>Bus bar terminal connection</b>	
Bus bar width (bus bar system = 40 mm)	12 mm
Bus bar thickness (bus bar system = 40 mm)	5 ... 10 mm
Bus bar width (bus bar system = 60 mm)	12 ... 30 mm
Bus bar thickness (bus bar system = 60 mm)	5 ... 10 mm
Bus bar system	40 mm 60 mm

MERSEN reserves the right to change, update or correct, without notice, any information contained in this datasheet.

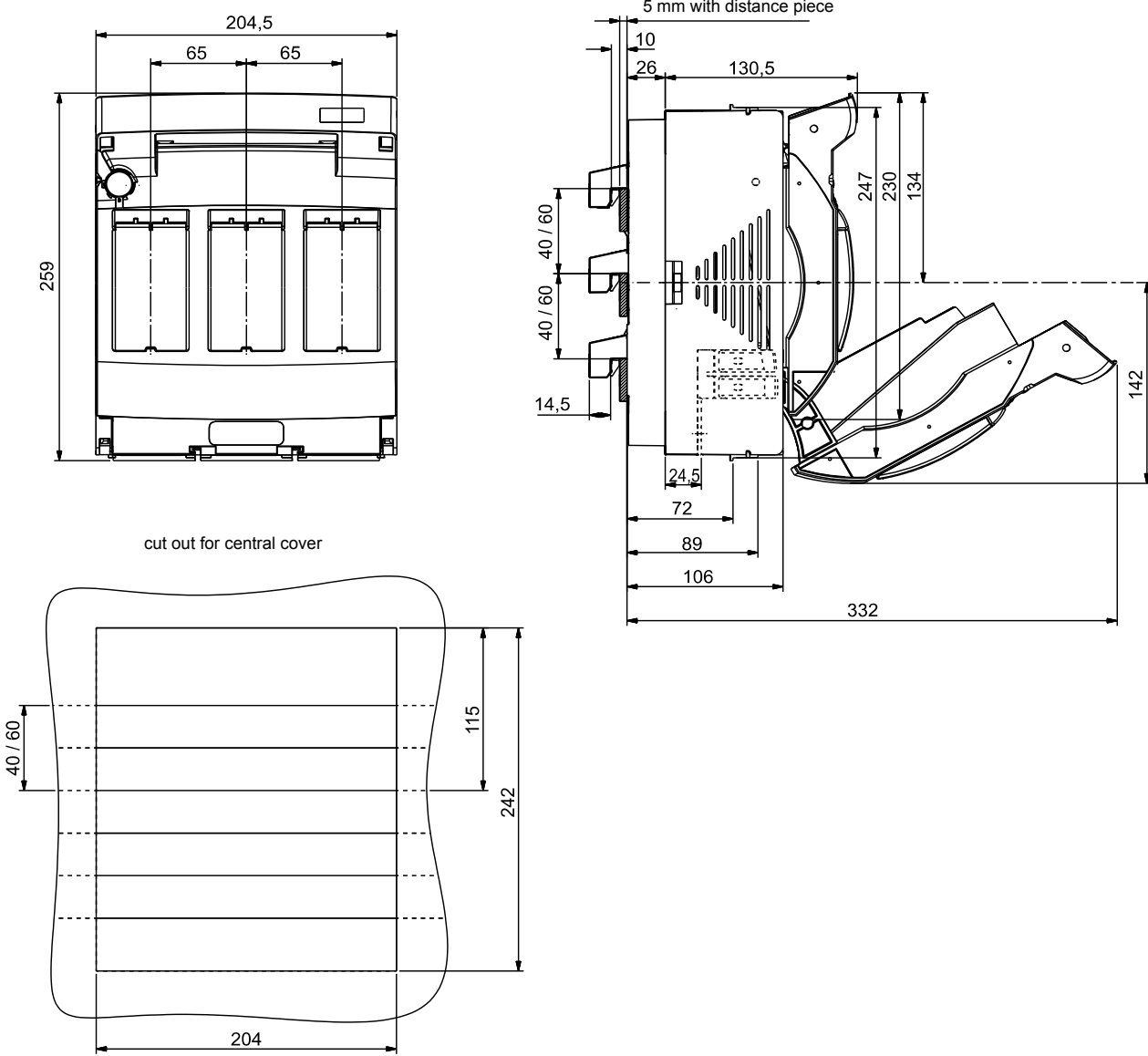
# MULTIBLOC® 2.RST8

Size 2, 400A, 690VAC, Design for bus bar installation, Triple Pole

## DIMENSIONS

**MULTIBLOC® 2.RST8 NH-fuse switch disconnecter**  
**triple pole design for bus bar installation**

(M01132a)



Dimensions in mm

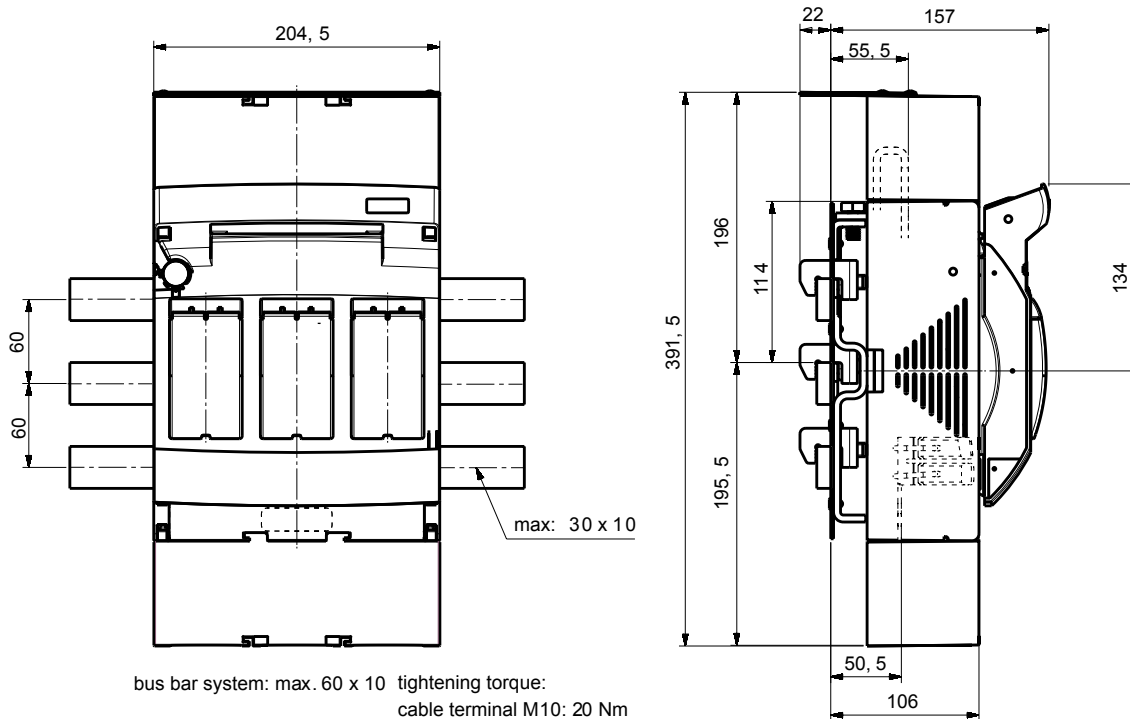
MERSEN reserves the right to change, update or correct, without notice, any information contained in this datasheet.

# MULTIBLOC® 2.RST8

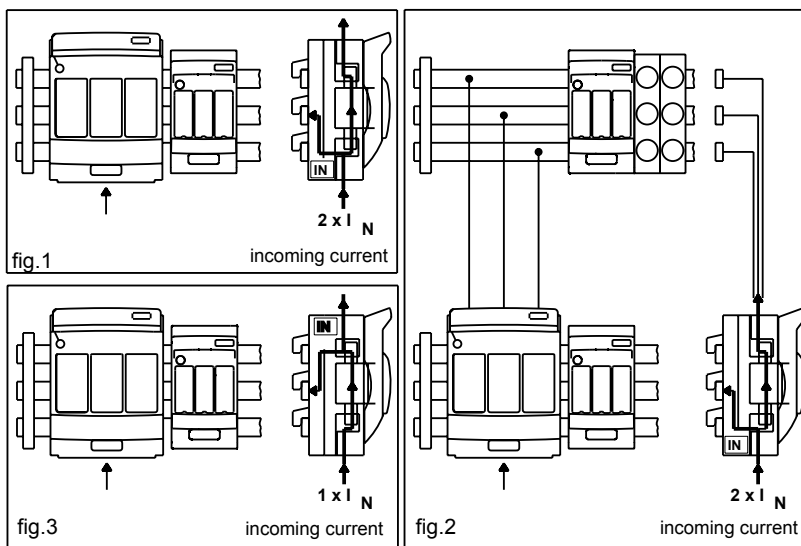
Size 2, 400A, 690VAC, Design for bus bar installation, Triple Pole

## DIMENSIONS

MULTIBLOC® main incomer size 2 (M01167-2)



bus bar system: max. 60 x 10 tightening torque:  
 cable terminal M10: 20 Nm  
 bus bar terminal: hexagon screw: M10: 15 Nm



Dimensions in mm

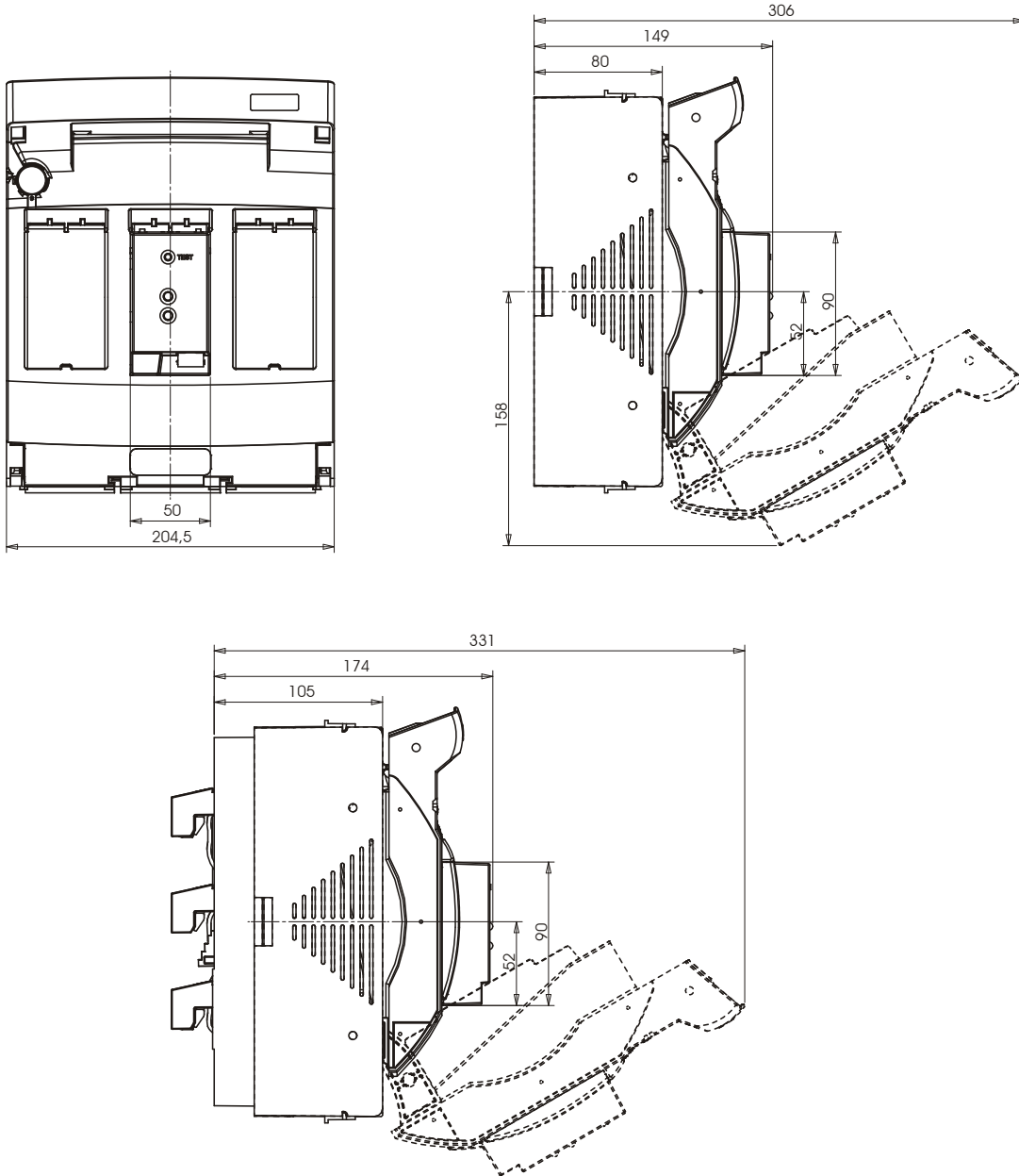
# MULTIBLOC® 2.RST8

Size 2, 400A, 690VAC, Design for bus bar installation, Triple Pole

## DIMENSIONS

### MULTIBLOC® 2.ST8 and 2.RST8

triple pole with electronic fuse monitoring ESÜ (M01174-2)



Dimensions in mm

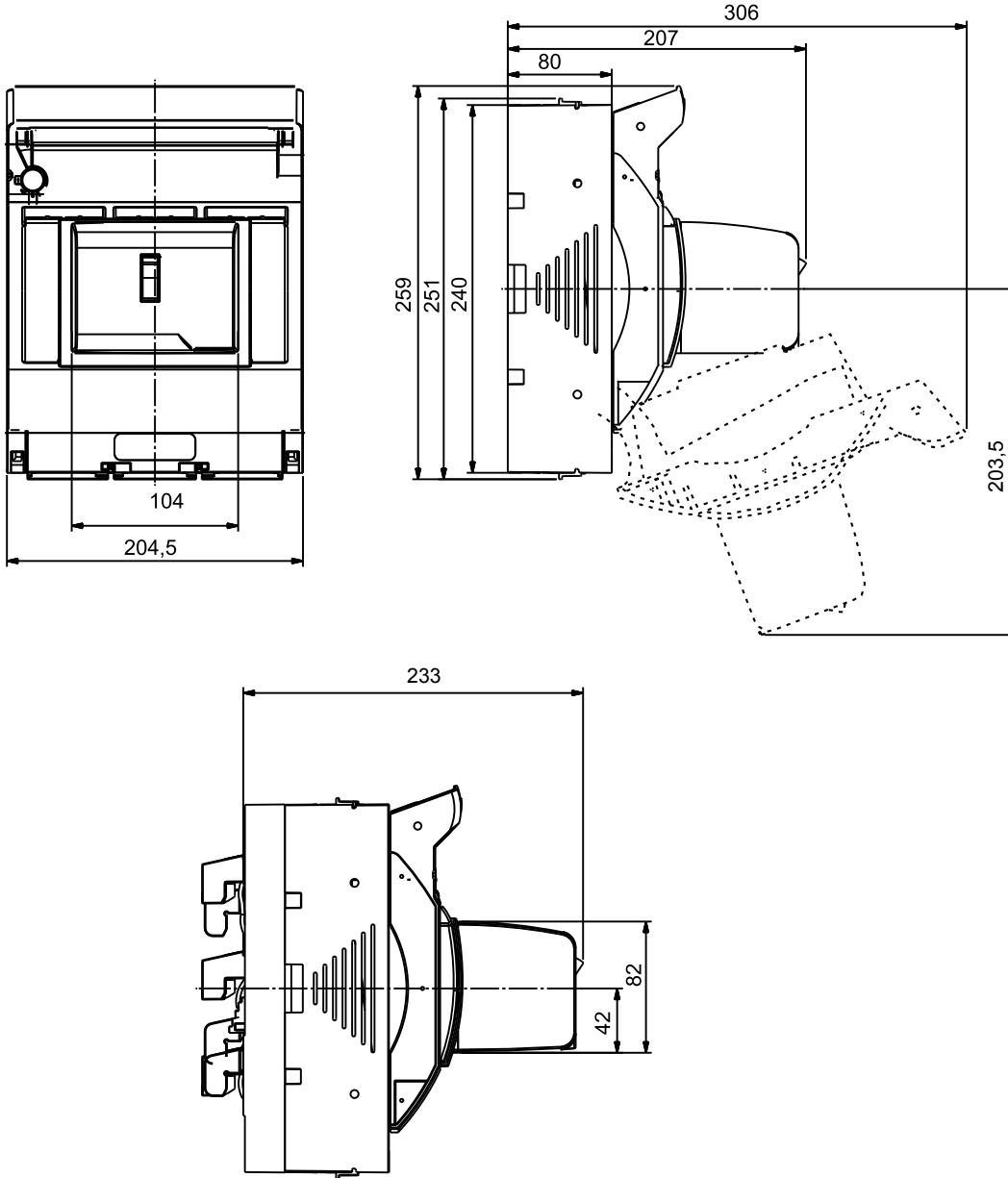
# MULTIBLOC® 2.RST8

Size 2, 400A, 690VAC, Design for bus bar installation, Triple Pole

## DIMENSIONS

### MULTIBLOC® 2.ST8 and 2.RST8

triple pole with electro-mechanic fuse monitoring MZS (M01135-2)



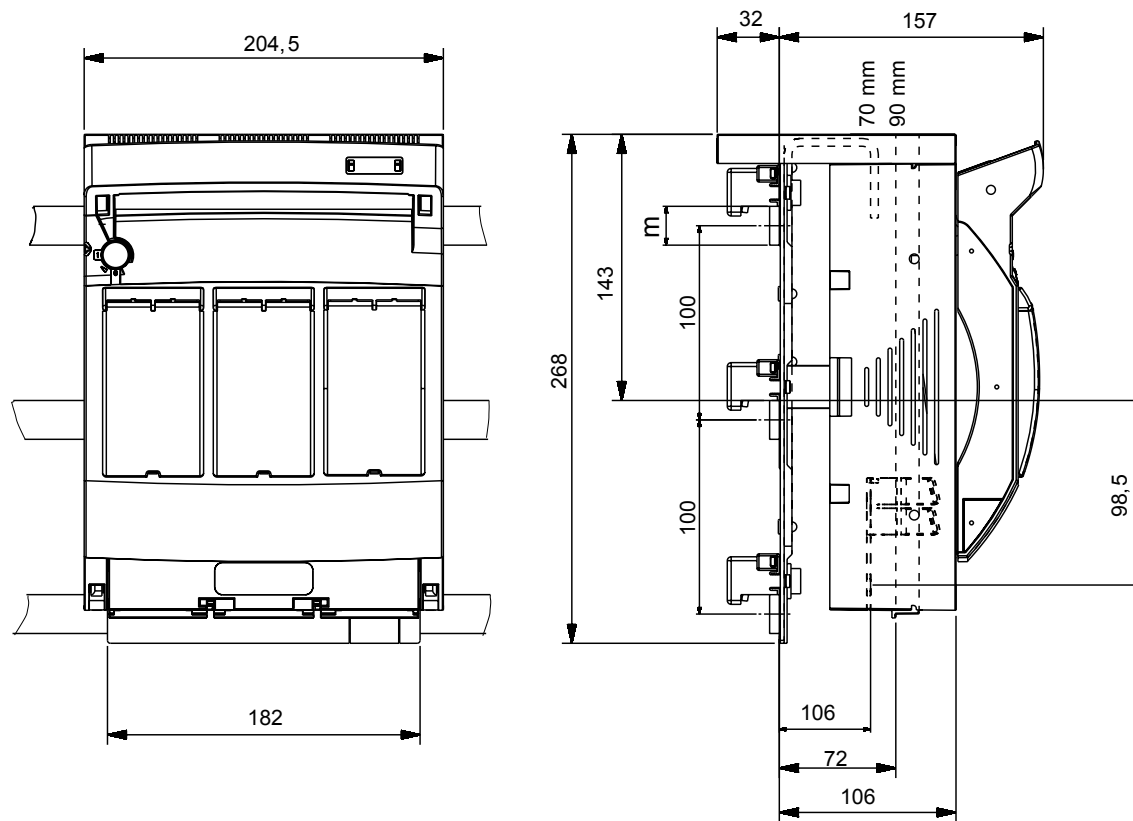
Dimensions in mm

# MULTIBLOC® 2.RST8

Size 2, 400A, 690VAC, Design for bus bar installation, Triple Pole

## DIMENSIONS

**MULTIBLOC® bus bar adapter**  
with clamp terminal for 2.ST8 (M01151a-2)



m = max. 60 x 10

tightening torque: M10: 25 Nm  
M8: 15 Nm

Dimensions in mm



# MULTIBLOC® 2.RST8

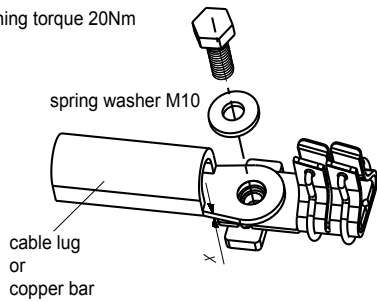
Size 2, 400A, 690VAC, Design for bus bar installation, Triple Pole

## DIMENSIONS

### Cable termination size 2 (MA 98e-2)

screw terminal:  
(standard)

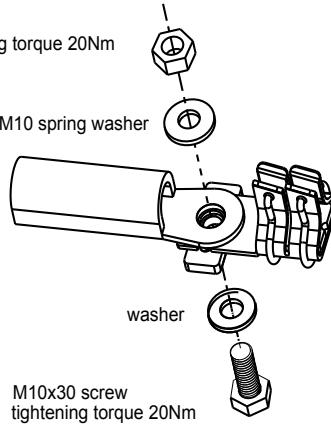
M10x20 screw  
tightening torque 20Nm



bolt terminal:  
(standard)

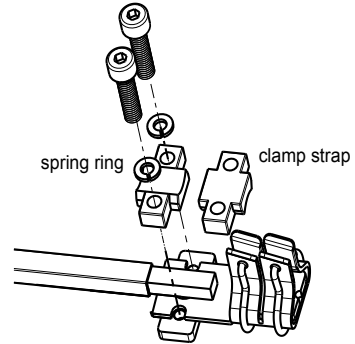
M10 nut  
tightening torque 20Nm

M10 spring washer



terminal: clamp strap  
(option/accessory)

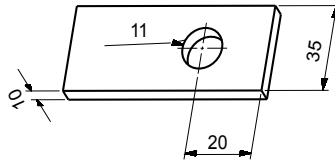
size.2: M8x35 screw  
tightening torque 8Nm



screw and bolt terminal for

size. 2:	DIN 46234 max. 240mm <sup>2</sup>
	DIN 46235 max. 185mm <sup>2</sup>
	DIN 46329 max. 240mm <sup>2</sup>

copper bars:



size. 2: for round stranded conductors 120 x 24C  
for bars or laminated copper 21 x 3-14

Dimensions in mm

MERSEN reserves the right to change, update or correct, without notice, any information contained in this datasheet.

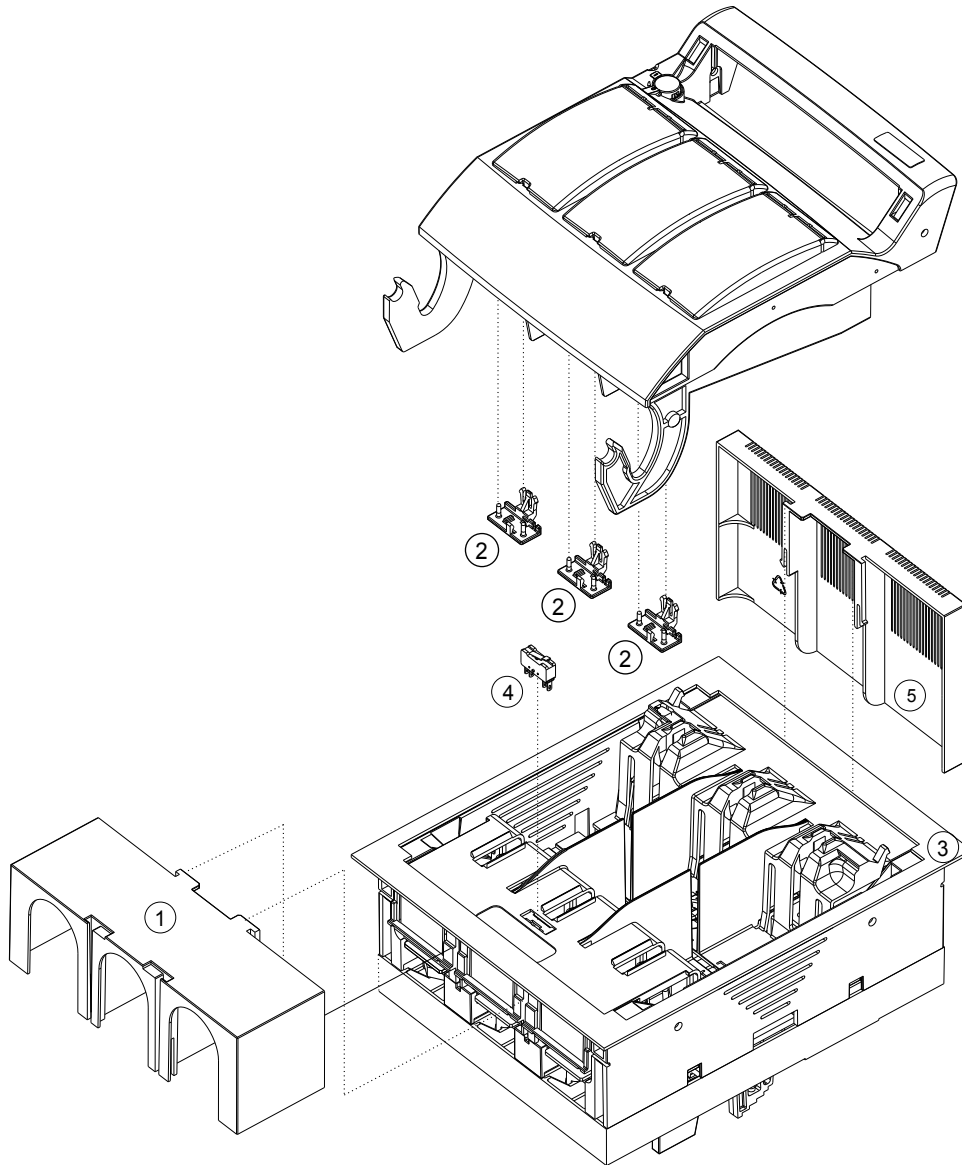
# MULTIBLOC® 2.RST8

Size 2, 400A, 690VAC, Design for bus bar installation, Triple Pole

## EXPLODED SKETCH

**MULTIBLOC® 2.RST8 NH-fuse switch disconnecter**  
**triple pole design for bus bar installation**

(E 1.000.605)

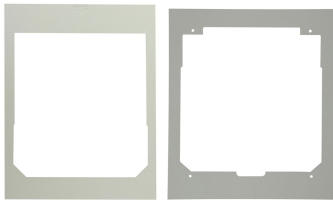


no.	articlenumber	short Description
1	1.000.861	Cover for cable termination, set = 2 pcs.
2	1.000.150	Locking device f. windows, 1 Set=3 pieces
3	1.000.863	Cover shield 230 x 300 mm
4	1.000.852	indicator for switch door position
5	1.003.347	bus bar touch protection

# MULTIBLOC® 2.RST8

Size 2, 400A, 690VAC, Design for bus bar installation, Triple Pole

## ACCESSORIES

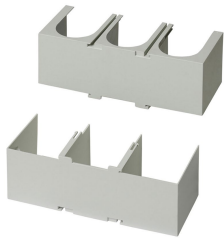


1.000.863

1.002.352

### Cover shields

Catalog number	Reference number	Design	Weight	Package
1.000.863	V1002174	cover shield for installation in distribution units size (width x height): 230 x 300 mm for one 2.ST8/2.RST8 triple pole	0.102 kg	1 piece
1.002.352	Y1022969	cover shield for installation in distribution units size (width x height): 234 x 310 mm for one 2.ST8/2.RST8 triple pole	0.11 kg	1 piece



1.000.861

### Cover/shrouds for cable termination

Catalog number	Reference number	Design	Weight	Package
1.000.861	N1002168	cover for cable terminal connection for 2.ST8 triple pole, 1 set = 2 pieces	0.308 kg	1 set
1.003.347	H1023116	bus bar touch protection for 2.RST8	97 g	1 piece



1.003.347



1.000.852

### Indication facilities

Catalog number	Reference number	Design	Weight	Package
1.000.852	Q1002285	indicator for switch door position micro switch, 1 change-over contact 5 A, 250 V	0.09 kg	1 piece



1.000.150

### Locking and sealing devices/locking device for window

Catalog number	Reference number	Design	Weight	Package
1.000.150	K229296	locking device for window for 00.ST8 1-, 2-, 4-pole and 1./2.ST8/RST8 1 set = 3 pieces	20 g	1 set

MERSEN reserves the right to change, update or correct, without notice, any information contained in this datasheet.

# MULTIBLOC® 2.RST8

Size 2, 400A, 690VAC, Design for bus bar installation, Triple Pole

## ACCESSORIES



1.001.237



13SZAV6

13SZAD6

### Varieties of cable termination

Catalog number	Reference number	Design	Weight	Package
1.001.237	B1002180	clamp strap size 2 120–240 mm <sup>2</sup> , 1 set = 3 pieces	0.261 kg	1 set
13SZAV6	K1023118	V-terminal size 1,2,3; M12, for V-terminal clamps size 1,2,3 for MULTIBLOC® size 2 supplementary set for V-terminal with use of V-clamps 1 set = 3 pieces	0.27 kg	1 set
13SZAD6	A1022971	M12 terminal lugs for M12 double terminal for MULTIBLOC® size 2 and 3 1 set = 3 pieces	0.259 kg	1 set