

MULTIBLOC® 00.ST8

Size 00 160A, 690VAC Bottom Fitting, 1-,2-,4-pole

IEC FUSE SWITCH DISCONNECTORS

NH FUSE SWITCH DISCONNECTOR



The production programme of MULTIBLOC® series 00.ST8 comprises NH fuse switch disconnectors for 160A.

They are designed for bottom fitting/panel installation and are available in single pole, double pole and quadruple pole units.

For installation of MULTIBLOC® NH fuse switch disconnectors in distribution units with central cover, respective covers are used to obtain a uniform profile in height and length.

MULTIBLOC® size 00 are designed for NH fuse-links in accordance with IEC/EN 60269-2, VDE 0636-2, size 00, 160A.

MULTIBLOC® offers the user the possibility of fast and easy installation as well as a high degree of security during installation and maintenance.

TECHNICAL DATA OVERVIEW

Voltage AC	690 VAC
Voltage DC	220 VDC
Amper (A)	160 A
Size per Standard	00
SCCR	Ue = AC 400 V; Ie = 160 A 80kA Ue = AC 500 V; Ie = 160 A 80kA Ue = AC 690 V; Ie = 125 A 50kA
Mounting	bottom fitting/panel
Switchability	1-,2-,4-pole switching
Number of Poles	1,2,4

FEATURES & BENEFITS

- Touch protection IP 20 - when fuse link is in test mode IP rating is maintained
- Parking position of switch operating cover even with fuse-links inserted
- Modular system of cover - cover for cable termination area can be extended - optional
- Varieties of cable termination: screw, clamp strap, Al-Cu clamp, extendable for V-terminal - optional
- Padlocking and sealing of switch door cover - optional
- Indicating switch for switch door position - optional
- Safe on load connection/disconnection in accordance with IEC 60947-3

APPLICATIONS

- House incoming units
- Meter distribution units
- Measuring transformer cabinets
- Transmitting stations for telecommunications

STANDARDS

- IEC/EN 60 947-3
For NH-fuse links size 000/00 in accordance with IEC/EN 60 269-2, VDE 0636-2



MULTIBLOC® 00.ST8

Size 00 160A, 690VAC Bottom Fitting, 1-,2-,4-pole

PRODUCT RANGE



1.000.053

MULTIBLOC® 00.ST8 size 00 160A, 690VAC bottom fitting, single pole

Catalog number	Item number	Poles	Cable termination components	Design	Package	Weight
1.000.053	F229292	1	2 M8 terminal screws	-	1 piece	0.32 kg
1.000.054	E1022998	1	2 clamp straps Cu 4–70 mm ²	-	1 piece	0.32 kg
1.000.114	F1022999	1	2 Al/Cu clamps 1,5–70 mm ² round stranded, 95 mm ² sectoral solid	-	1 piece	0.35 kg
1.001.817	G1023000	1	2 M8 terminal screws	for direct installation on to bus bars with M8 screw	1 piece	0.29 kg



1.001.817

MULTIBLOC® 00.ST8 size 00 160A, 690VAC bottom fitting, double pole

Catalog number	Item number	Poles	Cable termination components	Package	Weight
1.000.139	G229293	2	3 M8 terminal screws	1 piece	0.62 kg
1.000.140	H1023001	2	4 clamp straps Cu 4 –70 mm ²	1 piece	0.62 kg



1.000.139

MULTIBLOC® 00.ST8 size 00 160A, 690VAC bottom fitting, quadruple pole

Catalog number	Item number	Poles	Cable termination components	Design	Package	Weight
1.000.141	J1023002	4	8 M8 terminal screws	pole 4 right side	1 piece	1.04 kg
1.000.142	K1023003	4	8 clamp straps Cu 4–70 mm ²	pole 4 right side	1 piece	1.04 kg
1.001.575	L1023004	4	8 M8 terminal screws	pole 4 left side	1 piece	1.04 kg
1.002.377	T1002127	4	8 M8 terminal screws	with ready fitted special solid link as neutral conductor in pole 4 for leading and lagging switching	1 piece	1.8 kg
1.003.141	N1023006	4	8 clamp straps Cu 4-70 mm ²	with ready fitted special solid link as neutral conductor in pole 4 for leading and lagging switching	1 piece	1.8 kg



1.000.141



1.002.377

MERSEN reserves the right to change, update or correct, without notice, any information contained in this datasheet.

MULTIBLOC® 00.ST8

Size 00 160A, 690VAC Bottom Fitting, 1-,2-,4-pole

TECHNICAL DATA IN ACCORDANCE WITH EN / IEC 60947

	00.ST8 single pole	00.ST8 double pole	00.ST8 quadruple pole
Number of poles/phases	1	2	4
Size	00	00	00
Conventional free air thermal current with NH-fuse links I_{th}	160 A	160 A	160 A
Max. power dissipation of fuse links P_n	12 W	12 W	12 W
Conventional free air thermal current with solid links I_{th}	200 A	200 A	200 A
Max. power dissipation of solid links P_n	1,2 W	1,2 W	1,2 W
Utilization category to IEC/EN 60947-3 $U_e = AC 400 V; I_e = 160 A$ $U_e = AC 500 V; I_e = 160 A$ $U_e = AC 690 V; I_e = 125 A$ $U_e = DC 220 V; I_e = 160 A$	AC 23 B AC 22 B AC 21 B DC 22 B	AC 23 B AC 22 B AC 21 B -	AC 23 B AC 22 B AC 21 B -
Rated operational voltage U_e	690 V	690 V	690 V
Rated insulation voltage U_i	1000 V	1000 V	1000 V
Rated impulse withstand voltage U_{imp}	8 kV	8 kV	8 kV
Rated frequency	50 ... 60 Hz	50 ... 60 Hz	50 ... 60 Hz
Degree of protection	IP 20	IP 20	IP 20
Degree of pollution	3	3	3
Rated duty	uninterrupted duty	uninterrupted duty	uninterrupted duty
Rated conditional short-circuit current with fuse links $U_e = AC 400 V; I_e = 160 A$ $U_e = AC 500 V; I_e = 160 A$ $U_e = AC 690 V; I_e = 125 A$	80 kA 80 kA 50 kA	80 kA 80 kA 50 kA	80 kA 80 kA 50 kA
Rated short circuit making capacity with solid links I_{cm}	6.2 kAsw	6.2 kAsw	6.2 kAsw
Rated short-time withstand current I_{cw}	4 kA / 1 s	4 kA / 1 s	4 kA / 1 s
Power dissipation by I_{th} without NH-fuse links	4 W	8 W	11 W
Power dissipation by I_{th} 200A without solid links	6,3 W	12,5 W	17 W
Installation mode	bottom fitting	bottom fitting	bottom fitting
Cable terminal connection			
Standard cable terminal	M8	M8	M8
for cable lugs Cu max.	2 x 70 mm ²	2 x 70 mm ²	2 x 70 mm ²
for cable lugs Al max.	2 x 70 mm ²	2 x 70 mm ²	2 x 70 mm ²
for copper bars with max. dimensions	20 x 5 mm	20 x 5 mm	20 x 5 mm

MERSEN reserves the right to change, update or correct, without notice, any information contained in this datasheet.

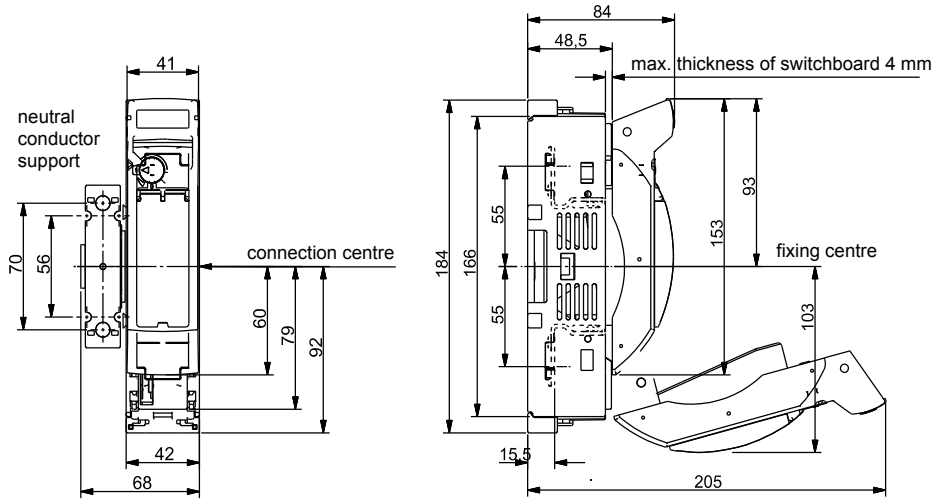
MULTIBLOC® 00.ST8

Size 00 160A, 690VAC Bottom Fitting, 1-,2-,4-pole

DIMENSIONS

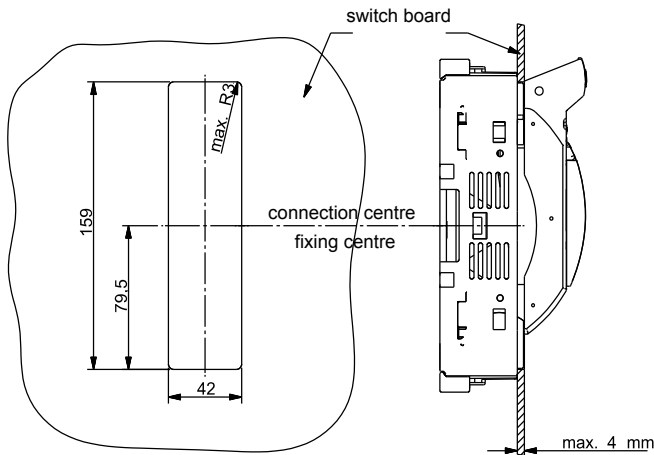
MULTIBLOC® 00.ST8 NH-fuse switch disconnecter single pole

(M 01115)

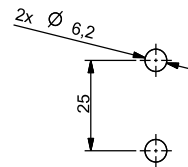


The neutral conductor art. no. 00SZNS (accessory) can be fixed on right side, left side or both sides of switch.

dimensions of switch board cut out
for bottom fixing without cover shield



dimensions for bottom fitting



Dimensions in mm

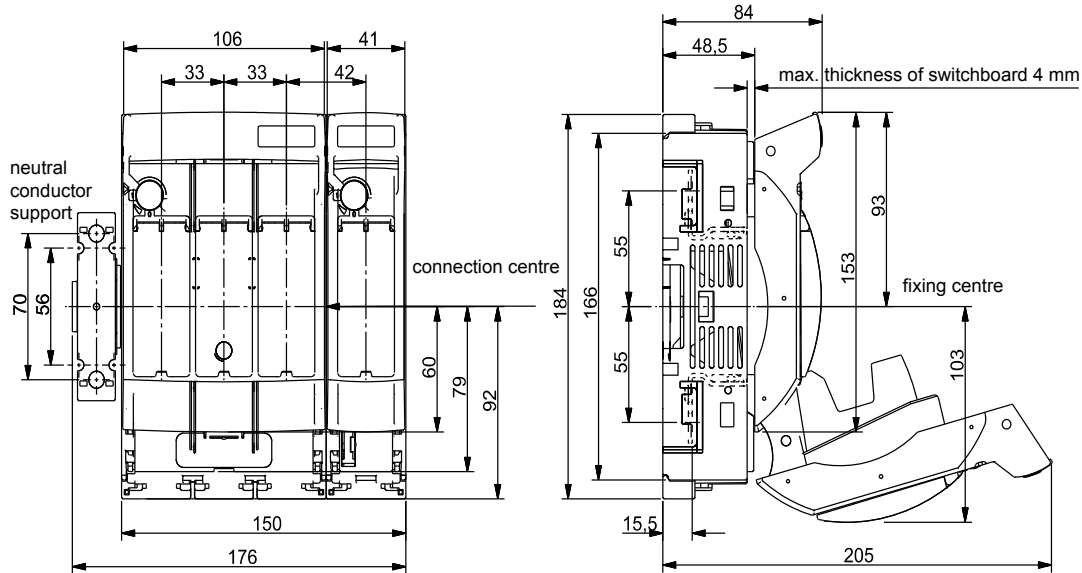
MULTIBLOC® 00.ST8

Size 00 160A, 690VAC Bottom Fitting, 1-,2-,4-pole

DIMENSIONS

MULTIBLOC® 00.ST8 NH-fuse switch disconnecter quadruple pole

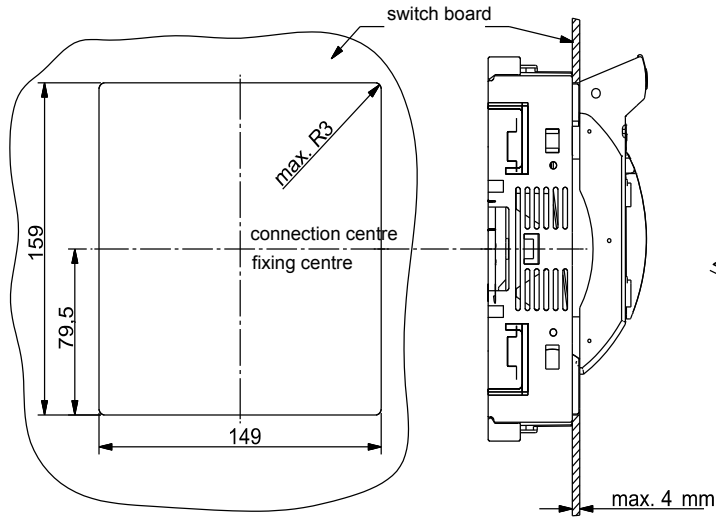
(M 01120)



The neutral conductor art. no. 00SZNS (accessory) can be fixed on right side, left side or both sides of switch.

dimensions of switch board cut out
for bottom fixing without cover shield

dimensions for bottom fitting



Dimensions in mm

MERSEN reserves the right to change, update or correct, without notice, any information contained in this datasheet.

MULTIBLOC® 00.ST8

Size 00 160A, 690VAC Bottom Fitting, 1-,2-,4-pole

DIMENSIONS

Cable termination size 00 (MA 120c)

type	N	S	A	R
terminal	screw	clamp strap	Al/Cu clamp	frame clamp
cross section mm ²	Cu 16-70	Cu 4-70	Cu 1,5-70	Cu 2,5-70
	Al 16-95	Al ---	Al 1,5-70 sectoral stranded Al 1,5-95 sectoral solid	Al ---
M(an) (Nm)	10	3-4	3-4	6

Dimensions in mm

MERSEN reserves the right to change, update or correct, without notice, any information contained in this datasheet.

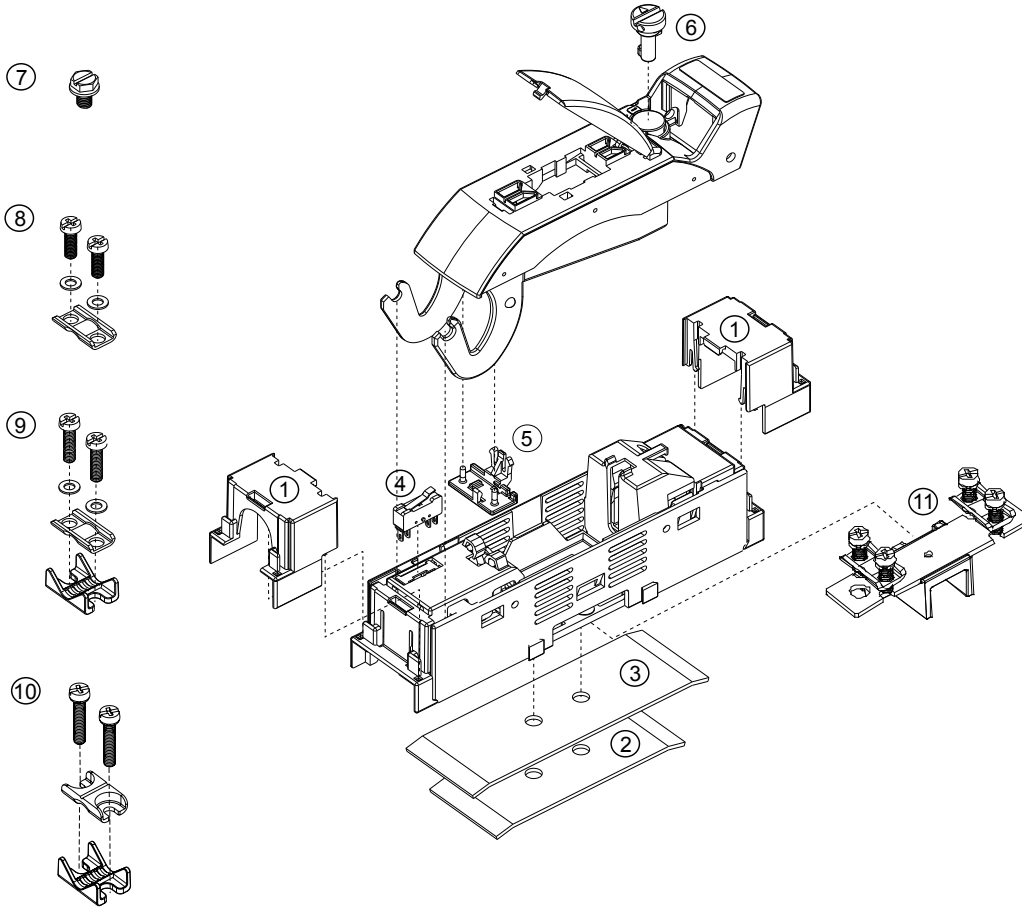
MULTIBLOC® 00.ST8

Size 00 160A, 690VAC Bottom Fitting, 1,-2,-4-pole

EXPLODED SKETCH

MULTIBLOC® 00.ST8 NH- fuse switch disconnecter
single pole

(E 1.000.622)

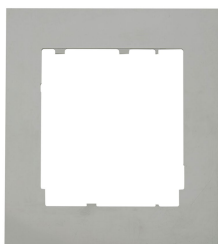


no.	articlenumber	short Description
1	1.000.149	Cover for cable termination, single pole
2	1.000.151	Set for mounting on DIN rails 125mm
3	1.000.152	Set for mounting on DIN rails 150mm
4	MZ00HD	Indicating switch f.switch door position
5	1.000.150	Locking device f. windows,1 Set=3 pieces
6	1.000.155	Cover sealing device, installation set
7	00SZS	M8 terminal screw screw,1 Set = 3 pieces
8	00SZESK	Clamp strap 4 - 70mm², set = 3 pieces
9	00SZA70	Al/Cu clamp 1-5 - 70mm², set = 3 pieces
10	1.003.571	Al/Cu clamp 50 - 95 mm², set = 3 pieces
11	00SZNS	Neutral cond. support with clamp strap

MULTIBLOC® 00.ST8

Size 00 160A, 690VAC Bottom Fitting, 1-,2-,4-pole

ACCESSORIES



1.002.764

Cover shields

Catalog number	Item number	Design	Package	Weight
1.002.764	T1022965	cover shield for installation in distribution units size (width x height): 220 x 240 mm for one 00.ST8 quadruple pole	1 piece	93 g



1.000.149

Cover/shrouds for cable termination

Catalog number	Item number	Design	Package	Weight
1.000.149	V229282	cover for cable terminal connection for 00.ST8 single pole, 1 set = 2 pieces	1 set	21 g
1.000.148	W229283	cover for cable terminal connection for 00.ST9 triple pole, 1 set = 2 pieces	1 set	43 g



1.000.148



1.000.151



1.000.152

Installation devices

Catalog number	Item number	Design	Package	Weight
1.000.151	B229288	adapter for installation between DIN-rails in accordance with EN 60715, DIN-rail distance 125mm for 00.ST8 single pole	1 piece	80 g
1.000.152	C229289	adapter for installation between DIN-rails in accordance with EN 60715, DIN-rail distance 150mm for 00.ST8 single pole	1 piece	0.14 kg



MZ00HD

Indication facilities

Catalog number	Item number	Design	Package	Weight
MZ00HD	V1022989	indicator for switch door position micro switch 1 "a" contact/ 1 "b" contact, 5 A, 250 V for MULTIBLOC® 00.ST8 1-, 2-, 4-pole	1 piece	90 g



1.000.155

Locking and sealing devices/cover sealing device

Catalog number	Item number	Design	Package	Weight
1.000.155	L229297	cover sealing device-installation set for 00.ST8 1-, 2-, 4-pole and 1.ST8/RST8	1 piece	10 g

MERSEN reserves the right to change, update or correct, without notice, any information contained in this datasheet.

MULTIBLOC® 00.ST8

Size 00 160A, 690VAC Bottom Fitting, 1-,2-,4-pole

ACCESSORIES



1.000.150

Locking and sealing devices/locking device for window

Catalog number	Item number	Design	Package	Weight
1.000.150	K229296	locking device for window for 00.ST8 1-, 2-, 4-pole and 1./2.ST8/RST8 1 set = 3 pieces	1 set	20 g



00SZS



00SZESK



00SZA70



1.003.571



1.003.433



00SZSV6

Varieties of cable termination

Catalog number	Item number	Design	Package	Weight
00SZS	M229298	M8 terminal screw for switch gear size 00 1 set = 3 pieces	1 set	35 g
00SZESK	E214594	clamp strap Cu 4–70 mm ² for switch gear size 00 1 set = 3 pieces	1 set	35 g
00SZA70	R211523	Al/Cu clamp 1,5–70 mm ² for switch gear size 00 1 set = 3 pieces	1 set	75 g
1.003.571	V1033684	Al/Cu clamp 50 -95 mm ² round stranded for switch gear size 00 1 set = 3 pieces	1 set	88 g
1.003.433	L1022958	triple clamp per pole 1.5 up to 16 mm ² 1 set = 3 pieces	1 set	0.14 kg
00SZSV6	K1022957	V-shaped lug size 00, M8, for V-terminal clamp size 00 for switch gear size 00 with screw terminal supplementary set for V-terminal with V-terminal clamps 1 set = 3 pieces	1 set	0.13 kg

Neutral conductor



00SZNS

Catalog number	Item number	Design	Package	Weight
00SZNS	A1023086	neutral conductor support for lateral installation either left or right side of MULTIBLOC® size 00 cable termination clamp strap Cu 4-70 mm ² round stranded/round solid	1 piece	83 g

MERSEN reserves the right to change, update or correct, without notice, any information contained in this datasheet.