

Compact fuse-holders CC8, CC10, CC14, CC22

FUSE HOLDERS, FUSE BASES AND SUPPORTS

IEC CYLINDRICAL FUSE HOLDERS



The innovative and comprehensive range of Mersen fuse-holders. CC fuse-holders are available in 1, 2, 3 poles, in IEC version in a very special compact design. Multi-pole units can also be field assembled by ordering pin-ties assembly kit. CC range is made of tough and durable thermoplastic material.

TECHNICAL DATA OVERVIEW

Voltage Range AC	400 ... 690 VAC
Ampere Range (A)	25 ... 125 A
Mounting	Installation on symmetrical DIN rails with adapter Screw-on mounting in back of panel
Number of Poles	1-pole

FEATURES & BENEFITS

- Very compact design for small space applications
- Panel mounted for all sizes
- DIN rail mounted sizes 14x51 and 22x58

APPLICATIONS

- All circuits up to 690V for protection of motors, transformers, low voltage distribution, control circuits
- Non-load operation
- Special applications where small room is available like street lighting connection boxes

STANDARDS

- IEC 60269-2
- RoHS Compliant



MERSEN reserves the right to change, update or correct, without notice, any information contained in this datasheet.

Compact fuse-holders CC8, CC10, CC14, CC22

PRODUCT RANGE

Modulostar® CC8 for fuse-links 8x31mm, 25A, 400V

Catalog number	Reference number	Number of poles/phases	Weight	Package
CC81	E215146	1	48 g	12



CC101

Modulostar® CC10 for fuse-links 10x38mm, 32A, 500V

Catalog number	Reference number	Number of poles/phases	Weight	Package
CC101	S211570	1	50 g	12

Modulostar® CC14 for fuse-links 14x51mm, 50A, 690V

Catalog number	Reference number	Number of poles/phases	Weight	Package
CC141	S219781	1	0.113 kg	12

Modulostar® CC14 for fuse-links 14x51mm, 50A, 690V, rail mounting

Catalog number	Reference number	Number of poles/phases	Weight	Package
CC141R	Z211047	1	0.113 kg	12

Modulostar® CC22 for fuse-links 22x58mm, 125A, 690V

Catalog number	Reference number	Number of poles/phases	Weight	Package
CC221	X214127	1	0.189 kg	6



CC221R

Modulostar® CC22 for fuse-links 22x58mm, 125A, 690V, rail mounting

Catalog number	Reference number	Number of poles/phases	Weight	Package
CC221R	B217190	1	0.189 kg	6

TECHNICAL DATA

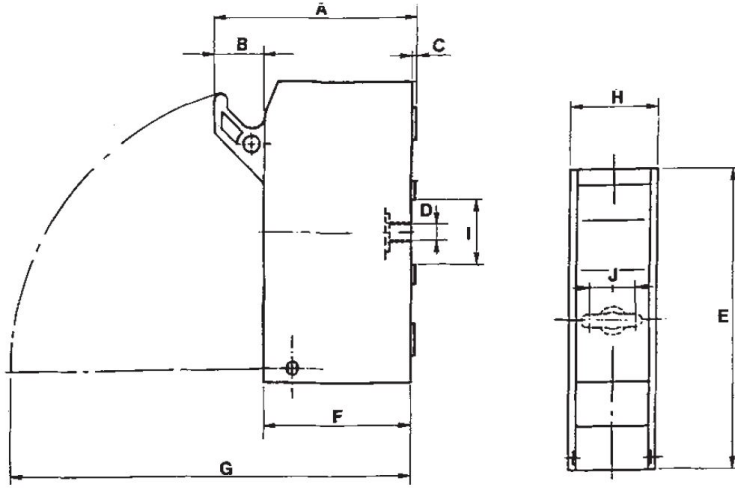
	CC8	CC10	CC14	CC22
Size	8 x 31	10x38	14x51	22x58
Number of poles/phases	1	1, 1+1, 2, 3, 3+N	1, 1+1, 2, 3, 3+N	1, 1+1, 2, 3, 3+N
Conventional free air thermal current with fuse links I_{th}	-	-	50 A	125 A
Utilization category to IEC/EN 60947-3 $U_e = AC 400 V; I_e = 25 A$	-	AC 20 B	AC 20 B	AC 20 B
Rated insulation voltage U_i	-	-	690 V	690 V
Rated short circuit making capacity $U_e = AC 400 V; I_e = 25 A$	-	20 kA	20 kA	20 kA
Rated voltage U^n	400 V	500 V	690 V	690 V
Rated current	25 A	32 A	50 A	125 A
Wiring cross sections	1x10mm ²	1x10mm ²	1x25mm ²	1x50mm ²
Rated short circuit making capacity $U_e = AC 400 V; I_e = 25 A$	-	AC 20 B 20 kA	AC 20 B 20 kA	AC 20 B 20 kA

MERSEN reserves the right to change, update or correct, without notice, any information contained in this datasheet.

Compact fuse-holders CC8, CC10, CC14, CC22

DIMENSIONS

Modular fuse-holders for cylindrical fuse-links class CC



	CC8/10	CC.14	CC.22
A	40	62	71
B	9	15,5	16
C	2	1	1
D	5,5	7,25	7,25
E	77,5	94	106
F	33	45,5	55
G	100	127	148
H	7,5	27	34
I	46	20,3	20,3
J	-	15,2	18
K	77,5	112	139
L	60	85	105
M	42,5	6	6
N	-	58	71

Dimensions in mm