

Fuse Blocks for Semiconductor Fuses

P243/P266/P292 Fuse Blocks

ACCESSORIES FOR FUSES & FUSE SYSTEMS

FUSE BASES AND FUSE BLOCKS



Mersen P243 and P266 series fuse blocks for Form 101 fuses are glass-filled polycarbonate or laminated phenolic insulator blocks with studs to accommodate bolt-in fuses.

Mersen P292 series has a laminated phenolic insulator base with fuse clips. All studs, clips and mounting hardware are tin or zinc plated

Note: FH Blocks are 1" thick

STANDARDS

- UL Recognized Component guide IZLT2 File E52283
- CSA Certified C22.2, class 6225, File 32169



Fuse Blocks for Semiconductor Fuses

P243/P266/P292 Fuse Blocks

PRODUCT RANGE



P243C

P243 Fuse blocks

Catalog number	Reference number	Rated DC voltage	Contact Materials	Tightening torque	For fuse rating - size
P243	T218517	1000 V	-	4.1 N-m	70 - 200A
P243C	M219040	1000 V	Tin-Plated Copper	4.1 N-m	35 - 200A
P243D	C219560	1000 V	Tin-Plated Copper	4.1 N-m	70 - 450A
P243E	X222016	1000 V	Tin-Plated Copper	4.1 N-m	70 - 200A
P243G	H222762	1000 V	-	9.5 N-m	35 - 600A

P266 Fuse blocks

Catalog number	Reference number	Rated DC voltage	Contact Materials	Tightening torque	For fuse rating - size
P266F	S213410	1000 V	-	20.3 N-m	450 - 600A
P266G	H222762	1000 V	-	4.1 N-m	35 - 100A
P266L	J215955	1000 V	-	20.3 N-m	125 - 400A
P266A	Y212380	1000 V	Stainless Steel	20.3 N-m	125 - 600A
P266C	K212897	1000 V	Stainless Steel	20.3 N-m	225 - 600A

P292 Fuse blocks

Catalog number	Reference number	Rated DC voltage	For fuse rating - size
P292	T216976	1200 V	1 - 30A

FH Fuse blocks

Catalog number	Reference number	Rated voltage AC (UL)	Rated voltage DC (UL)	Rated DC voltage	Tightening torque	For fuse rating - size
FH25F4	-	1000 V	1000 V	1000 V	144 16.27	700 - 800A
FH50F4	-	1000 V	1000 V	1000 V	360 40.67	700 - 800A
FH50F5	P1016774	1000 V	1000 V	1000 V	360 40.67	900 - 1000A
FH70F3	Q1031035	1000 V	1000 V	1000 V	360 40.67	450 - 600A

1SC/1MSC Modular Fuse blocks



1SC250



1SC375

Catalog number	Reference number	Rated DC voltage	Contact Materials	Number of poles/ phases	Tightening torque	For fuse rating - size
1SCM8	B1005170	1000 V	Zinc-Plated Steel	1	Cable: 6.8 N-m Fuse: 6.8 N-m Mounting: 2.8 N-m	50 - 400A
1SC250	H210595	1000 V	Zinc-Plated Steel	1	Cable: 6.8 N-m Fuse: 6.8 N-m Mounting: 2.8 N-m	50 - 400A
1SC375	Q210579	1000 V	Zinc-Plated Steel	1	Cable: 21.5 N-m Fuse: 21.5 N-m Mounting: 5.6 N-m	50 - 800A
1SCM10	E1005173	1000 V	Zinc-Plated Steel	1	Cable: 21.5 N-m Fuse: 21.5 N-m Mounting: 5.6 N-m	50 - 800A

Fuse Blocks for Semiconductor Fuses

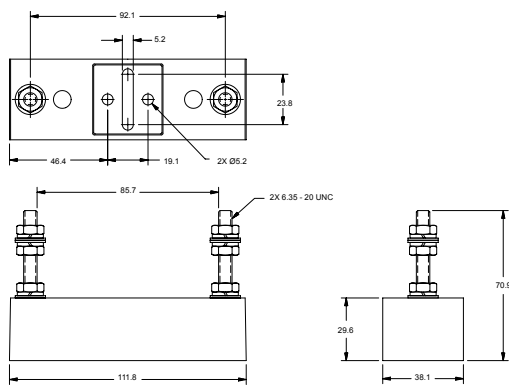
P243/P266/P292 Fuse Blocks

TECHNICAL DATA

	P243 Fuse blocks	P266 Fuse blocks	P292 Fuse blocks	FH Fuse blocks	1SC/1MSC Modular Fuse blocks
UL ratings AC	1000V	1000V	1200V	1000V	-
UL ratings DC	1000V	1000V	1200V	1000V	-
Rated current	35 ... 600 A	35 ... 600 A	1 ... 30 A	450 ... 1000 A	< 800 A
Rated voltage AC	< 1000 V	< 1000 V	< 1200 V	< 1000 V	< 1000 V
Rated voltage DC	< 1000 V	< 1000 V	< 1200 V	< 1000 V	< 1000 V
Connection	-	-	-	-	Stud
Contact Materials	-	-	-	-	Zinc-Plated Steel

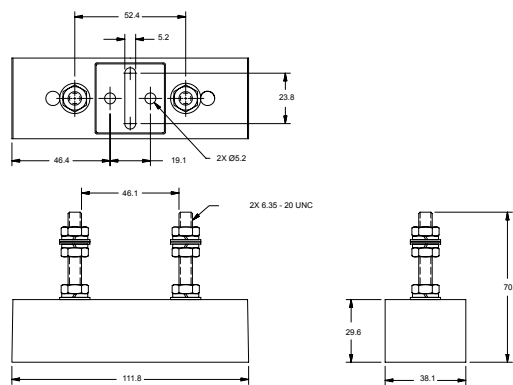
DIMENSIONS

P243C



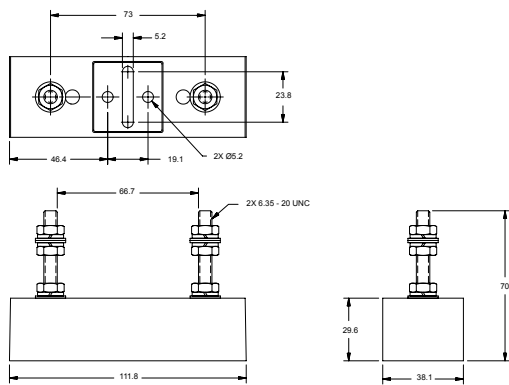
Dimensions in mm

P243D



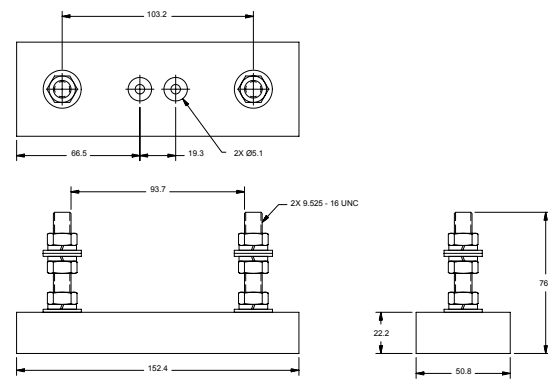
Dimensions in mm

P243E



Dimensions in mm

P266A



Dimensions in mm

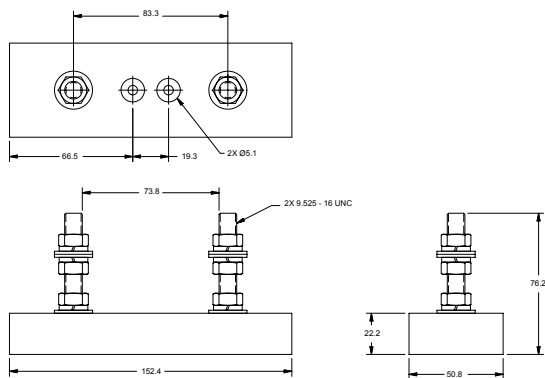
MERSEN reserves the right to change, update or correct, without notice, any information contained in this datasheet.

Fuse Blocks for Semiconductor Fuses

P243/P266/P292 Fuse Blocks

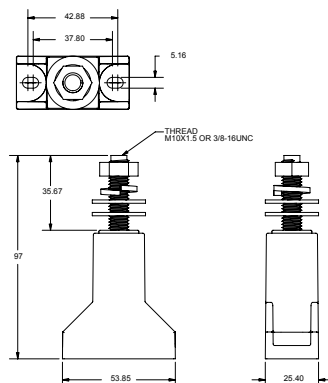
DIMENSIONS

P266C



Dimensions in mm

1SC375 & 1SCM10



Dimensions in mm

1SC250 & 1SCM8

