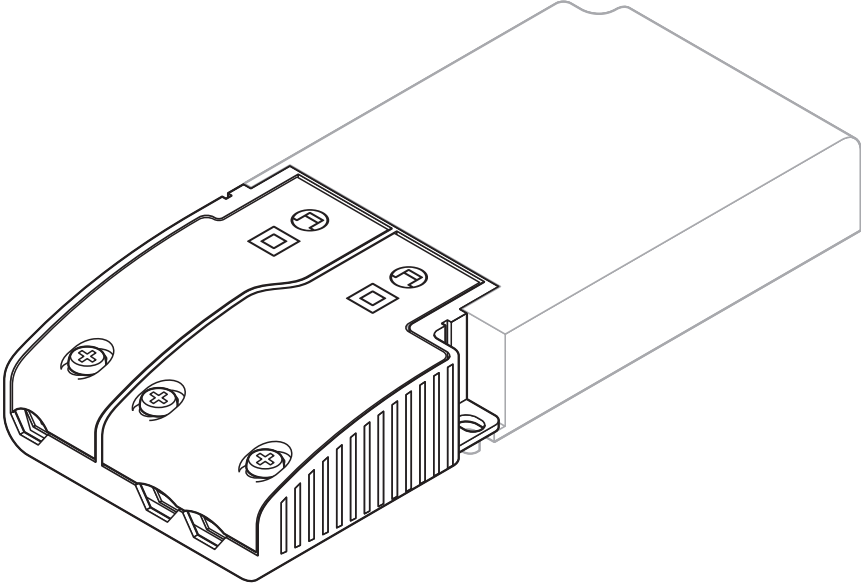
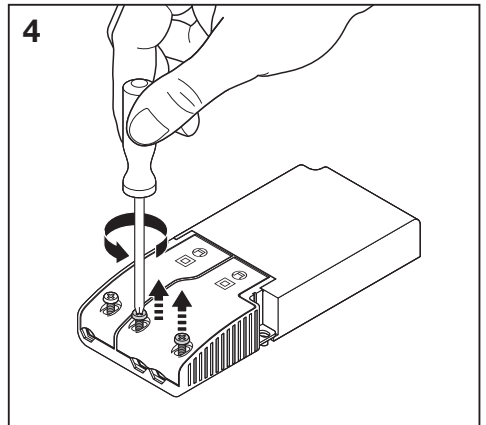
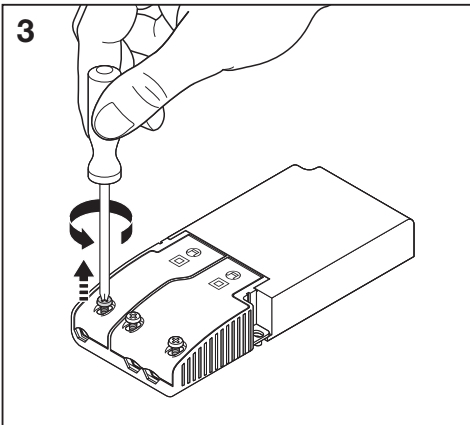
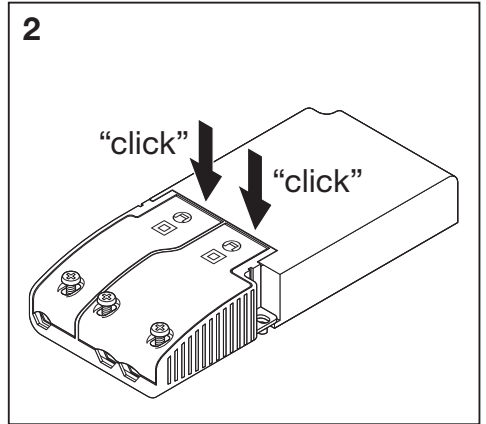
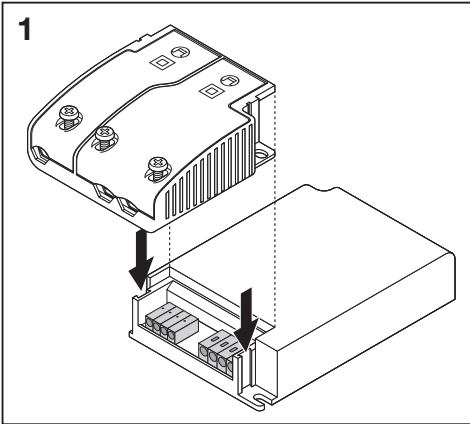
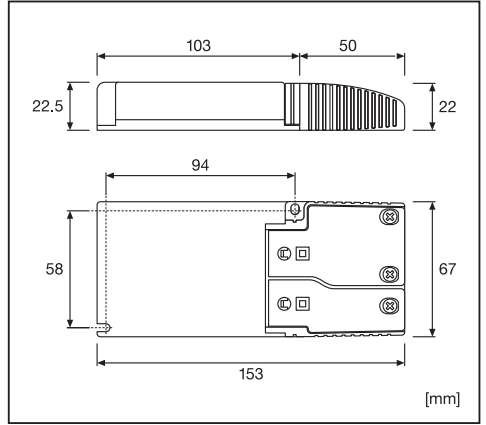
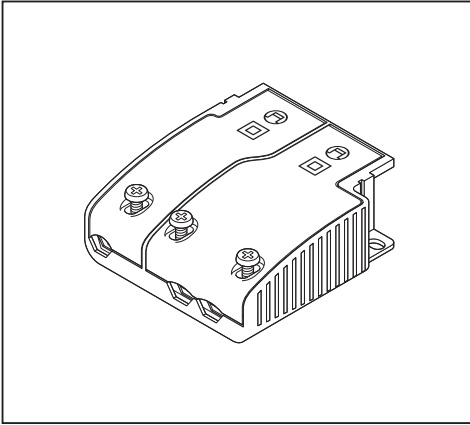


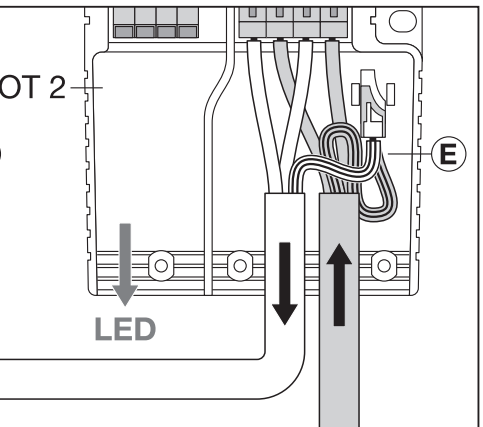
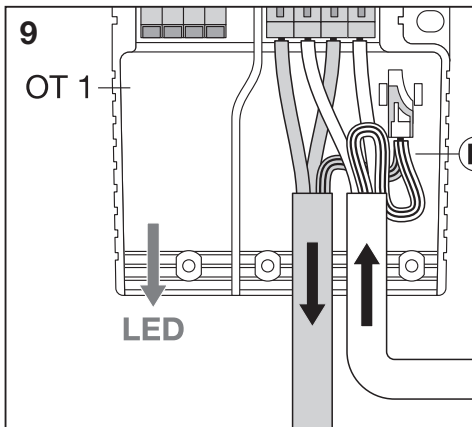
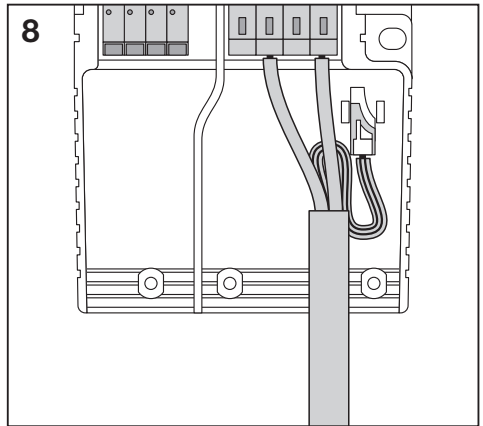
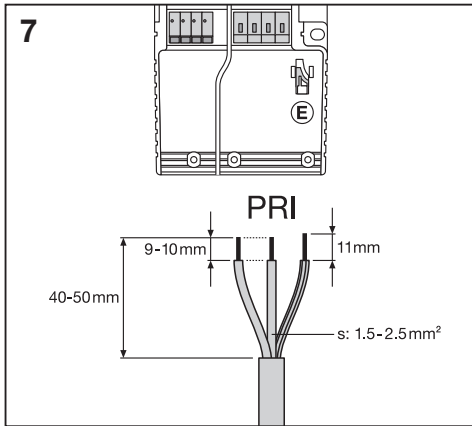
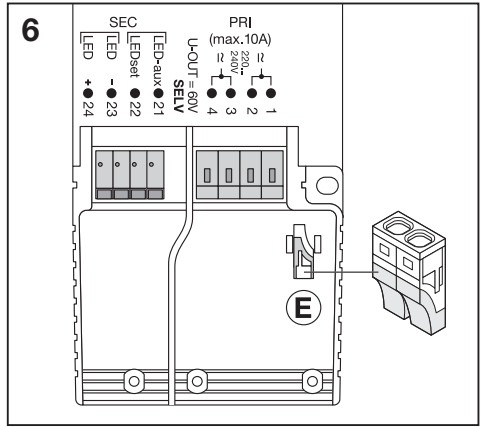
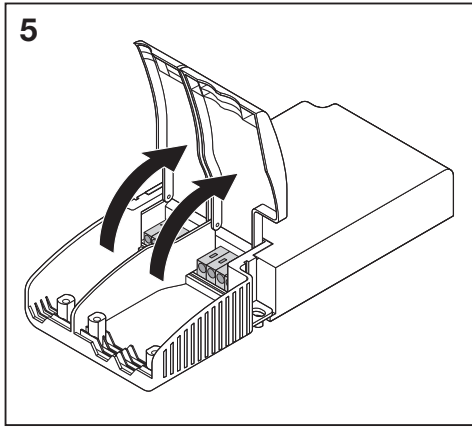
OT CABLE CLAMP B-STYLE LP

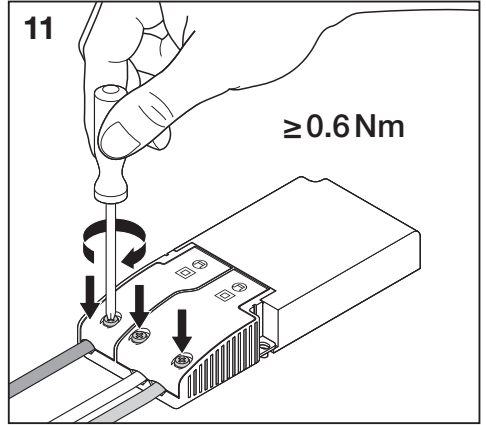
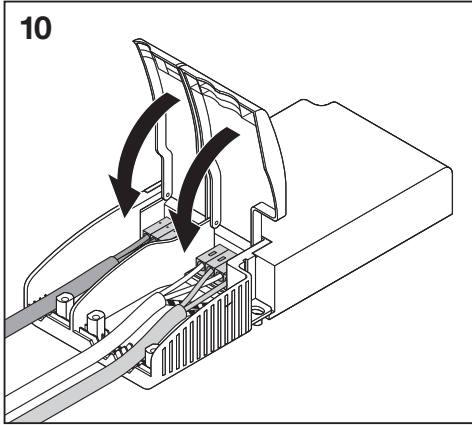


OT CABLE CLAMP B-STYLE LP



OT CABLE CLAMP B-STYLE LP





www.osram.com/optotronic



C10449057
G15034118
08.12.17

OSRAM GmbH
Berliner Allee 65
86153 Augsburg
Germany
www.osram.com