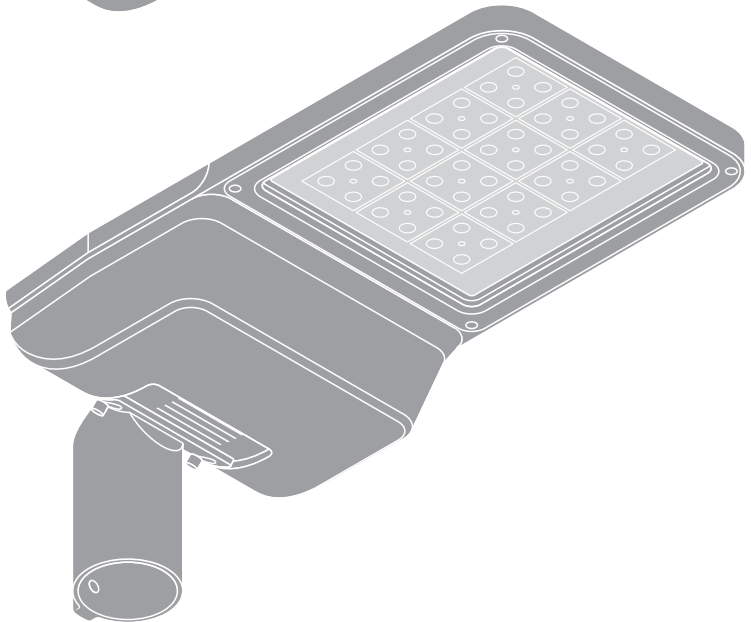
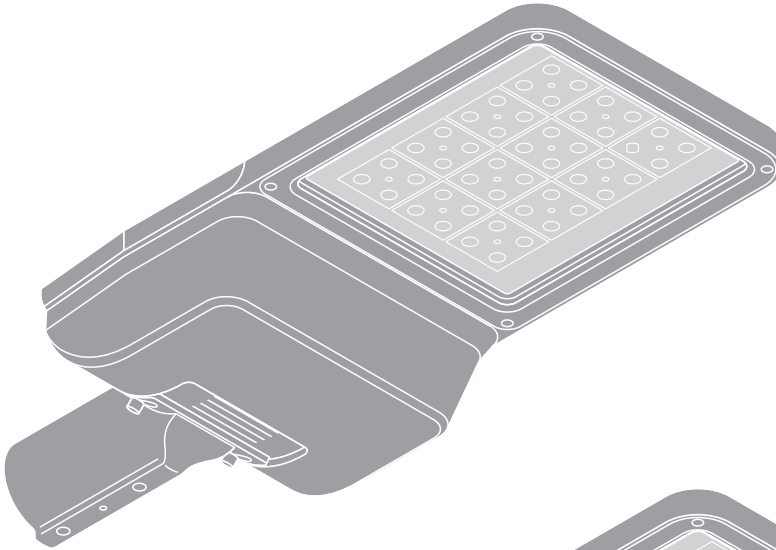


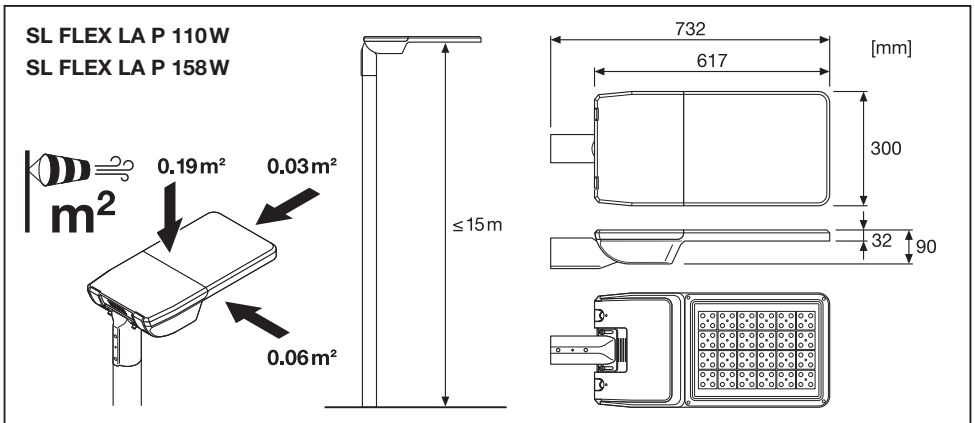
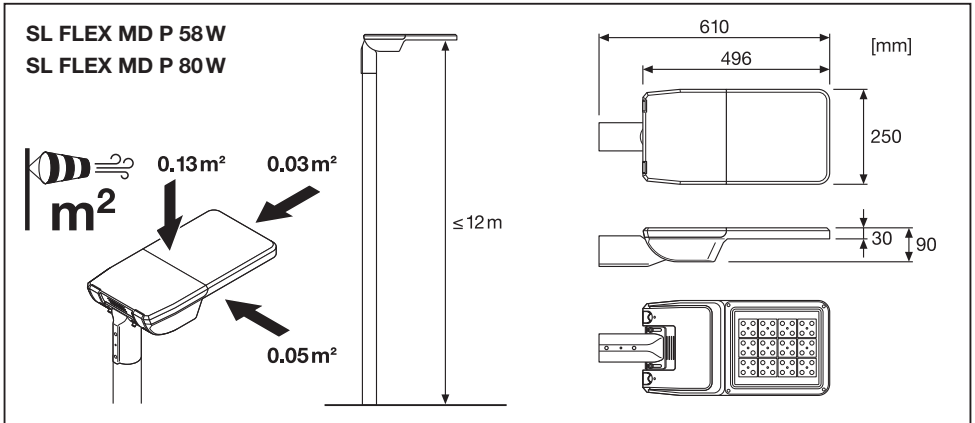
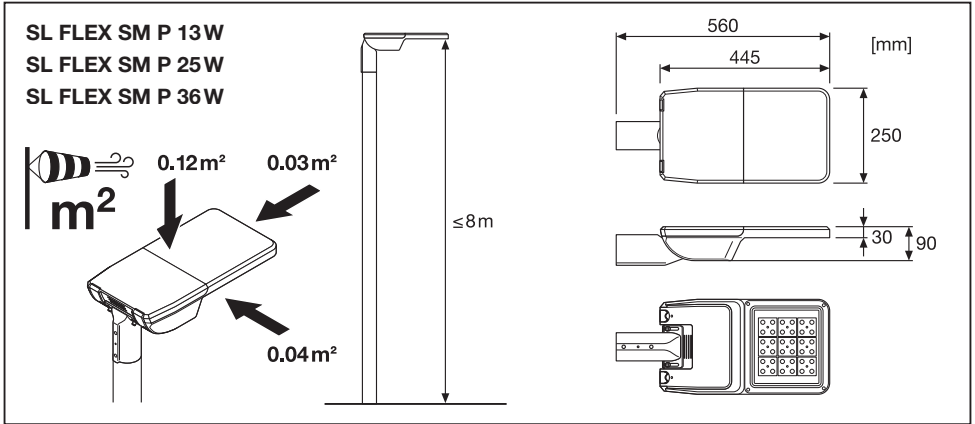
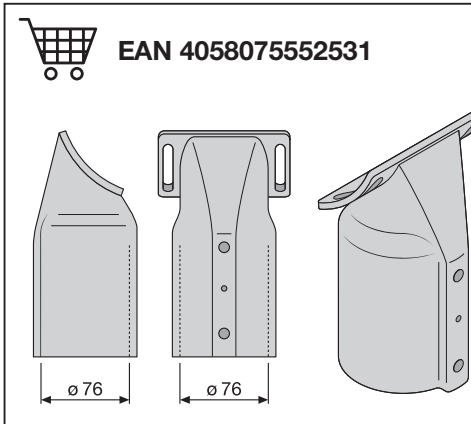
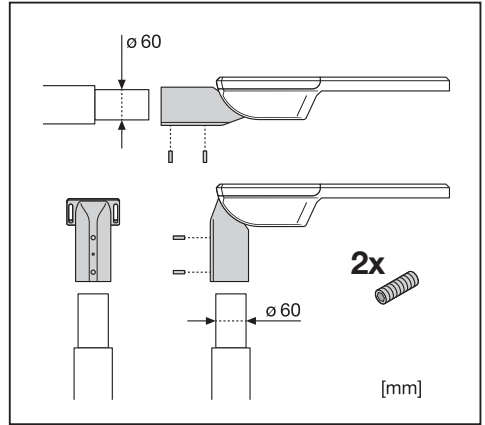
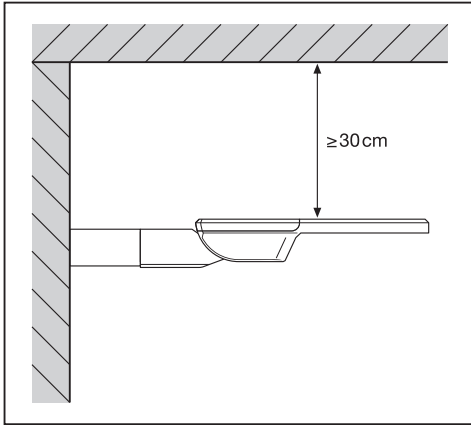

STREETLIGHT FLEX



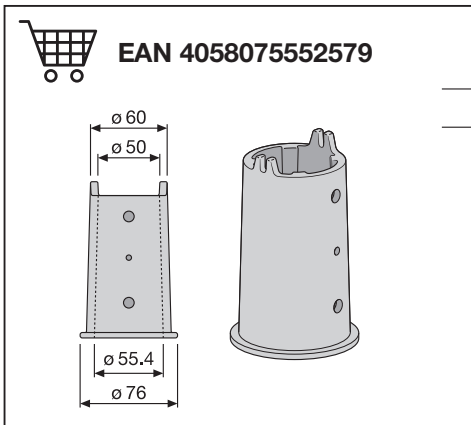
	EAN	l x w x h [mm]	W	V _{AC}	Hz	lm	lm/W
SL FLEX SM P 13W 727 RV25ST WAL	4058075552234	445x250x90	13	220-240 V	50/60 Hz	1650	127
SL FLEX SM P 13W 730 RV25ST WAL	4058075552241	445x250x90	13	220-240 V	50/60 Hz	1700	131
SL FLEX SM P 13W 740 RV25ST WAL	4058075552258	445x250x90	13	220-240 V	50/60 Hz	1780	137
SL FLEX SM P 25W 727 RV25ST WAL	4058075552265	445x250x90	25	220-240 V	50/60 Hz	3270	131
SL FLEX SM P 25W 730 RV25ST WAL	4058075552272	445x250x90	25	220-240 V	50/60 Hz	3370	135
SL FLEX SM P 25W 740 RV25ST WAL	4058075552289	445x250x90	25	220-240 V	50/60 Hz	3550	141
SL FLEX SM P 36W 727 RV25ST WAL	4058075552296	445x250x90	36	220-240 V	50/60 Hz	4850	135
SL FLEX SM P 36W 730 RV25ST WAL	4058075552302	445x250x90	36	220-240 V	50/60 Hz	4950	138
SL FLEX SM P 36W 740 RV25ST WAL	4058075552319	445x250x90	36	220-240 V	50/60 Hz	5180	144
SL FLEX MD P 58W 727 RV25ST WAL	4058075552326	496x250x90	58	220-240 V	50/60 Hz	7750	134
SL FLEX MD P 58W 730 RV25ST WAL	4058075552333	496x250x90	58	220-240 V	50/60 Hz	8250	142
SL FLEX MD P 58W 740 RV25ST WAL	4058075552340	496x250x90	58	220-240 V	50/60 Hz	8500	147
SL FLEX MD P 80W 727 RV25ST WAL	4058075552357	496x250x90	80	220-240 V	50/60 Hz	10550	132
SL FLEX MD P 80W 727 RW35ST WAL	4058075552364	496x250x90	80	220-240 V	50/60 Hz	10500	131
SL FLEX MD P 80W 730 RV25ST WAL	4058075552371	496x250x90	80	220-240 V	50/60 Hz	11400	143
SL FLEX MD P 80W 730 RW35ST WAL	4058075552388	496x250x90	80	220-240 V	50/60 Hz	11300	141
SL FLEX MD P 80W 740 RV25ST WAL	4058075552395	496x250x90	80	220-240 V	50/60 Hz	11650	146
SL FLEX MD P 80W 740 RW35ST WAL	4058075552401	496x250x90	80	220-240 V	50/60 Hz	11500	144
SL FLEX LA P 110W 727 RV25ST WAL	4058075552418	617x300x90	110	220-240 V	50/60 Hz	15250	139
SL FLEX LA P 110W 727 RW35ST WAL	4058075552425	617x300x90	110	220-240 V	50/60 Hz	15200	138
SL FLEX LA P 110W 730 RV25ST WAL	4058075552432	617x300x90	110	220-240 V	50/60 Hz	16500	150
SL FLEX LA P 110W 730 RW35ST WAL	4058075552449	617x300x90	110	220-240 V	50/60 Hz	16350	149
SL FLEX LA P 110W 740 RV25ST WAL	4058075552456	617x300x90	110	220-240 V	50/60 Hz	16800	153
SL FLEX LA P 110W 740 RW35ST WAL	4058075552463	617x300x90	110	220-240 V	50/60 Hz	16650	151
SL FLEX LA P 158W 727 RV25ST WAL	4058075552470	617x300x90	158	220-240 V	50/60 Hz	21150	134
SL FLEX LA P 158W 727 RW35ST WAL	4058075552487	617x300x90	158	220-240 V	50/60 Hz	21000	133
SL FLEX LA P 158W 730 RV25ST WAL	4058075552494	617x300x90	158	220-240 V	50/60 Hz	23350	148
SL FLEX LA P 158W 730 RW35ST WAL	4058075552500	617x300x90	158	220-240 V	50/60 Hz	23200	147
SL FLEX LA P 158W 740 RV25ST WAL	4058075552517	617x300x90	158	220-240 V	50/60 Hz	24450	155
SL FLEX LA P 158W 740 RW35ST WAL	4058075552524	617x300x90	158	220-240 V	50/60 Hz	23900	151

	EAN	K	IP	IK		R _a	⌄ (°C)	PF	
SL FLEX SM P 13W 727 RV25ST WAL	4058075552234	2700	66	08	25° x 145°	70	-30...50	> 0.9	4.4 kg
SL FLEX SM P 13W 730 RV25ST WAL	4058075552241	3000	66	08	25° x 145°	70	-30...50	> 0.9	4.4 kg
SL FLEX SM P 13W 740 RV25ST WAL	4058075552258	4000	66	08	25° x 145°	70	-30...50	> 0.9	4.4 kg
SL FLEX SM P 25W 727 RV25ST WAL	4058075552265	2700	66	08	25° x 145°	70	-30...50	> 0.9	4.5 kg
SL FLEX SM P 25W 730 RV25ST WAL	4058075552272	3000	66	08	25° x 145°	70	-30...50	> 0.9	4.5 kg
SL FLEX SM P 25W 740 RV25ST WAL	4058075552289	4000	66	08	25° x 145°	70	-30...50	> 0.9	4.5 kg
SL FLEX SM P 36W 727 RV25ST WAL	4058075552296	2700	66	08	25° x 145°	70	-30...50	> 0.9	4.5 kg
SL FLEX SM P 36W 730 RV25ST WAL	4058075552302	3000	66	08	25° x 145°	70	-30...50	> 0.9	4.5 kg
SL FLEX SM P 36W 740 RV25ST WAL	4058075552319	4000	66	08	25° x 145°	70	-30...50	> 0.9	4.5 kg
SL FLEX MD P 58W 727 RV25ST WAL	4058075552326	2700	66	08	25° x 145°	70	-30...50	> 0.9	5.1 kg
SL FLEX MD P 58W 730 RV25ST WAL	4058075552333	3000	66	08	25° x 145°	70	-30...50	> 0.9	5.1 kg
SL FLEX MD P 58W 740 RV25ST WAL	4058075552340	4000	66	08	25° x 145°	70	-30...50	> 0.9	5.1 kg
SL FLEX MD P 80W 727 RV25ST WAL	4058075552357	2700	66	08	25° x 145°	70	-30...50	> 0.9	5.6 kg
SL FLEX MD P 80W 727 RW35ST WAL	4058075552364	2700	66	08	35° x 135°	70	-30...50	> 0.9	5.6 kg
SL FLEX MD P 80W 730 RV25ST WAL	4058075552371	3000	66	08	25° x 145°	70	-30...50	> 0.9	5.6 kg
SL FLEX MD P 80W 730 RW35ST WAL	4058075552388	3000	66	08	35° x 135°	70	-30...50	> 0.9	5.6 kg
SL FLEX MD P 80W 740 RV25ST WAL	4058075552395	4000	66	08	25° x 145°	70	-30...50	> 0.9	5.6 kg
SL FLEX MD P 80W 740 RW35ST WAL	4058075552401	4000	66	08	35° x 135°	70	-30...50	> 0.9	5.6 kg
SL FLEX LA P 110W 727 RV25ST WAL	4058075552418	2700	66	08	25° x 145°	70	-30...50	> 0.9	7.7 kg
SL FLEX LA P 110W 727 RW35ST WAL	4058075552425	2700	66	08	35° x 135°	70	-30...50	> 0.9	7.7 kg
SL FLEX LA P 110W 730 RV25ST WAL	4058075552432	3000	66	08	25° x 145°	70	-30...50	> 0.9	7.7 kg
SL FLEX LA P 110W 730 RW35ST WAL	4058075552449	3000	66	08	35° x 135°	70	-30...50	> 0.9	7.7 kg
SL FLEX LA P 110W 740 RV25ST WAL	4058075552456	4000	66	08	25° x 145°	70	-30...50	> 0.9	7.7 kg
SL FLEX LA P 110W 740 RW35ST WAL	4058075552463	4000	66	08	35° x 135°	70	-30...50	> 0.9	7.7 kg
SL FLEX LA P 158W 727 RV25ST WAL	4058075552470	2700	66	08	25° x 145°	70	-30...50	> 0.9	7.7 kg
SL FLEX LA P 158W 727 RW35ST WAL	4058075552487	2700	66	08	35° x 135°	70	-30...50	> 0.9	7.7 kg
SL FLEX LA P 158W 730 RV25ST WAL	4058075552494	3000	66	08	25° x 145°	70	-30...50	> 0.9	7.7 kg
SL FLEX LA P 158W 730 RW35ST WAL	4058075552500	3000	66	08	35° x 135°	70	-30...50	> 0.9	7.7 kg
SL FLEX LA P 158W 740 RV25ST WAL	4058075552517	4000	66	08	25° x 145°	70	-30...50	> 0.9	7.7 kg
SL FLEX LA P 158W 740 RW35ST WAL	4058075552524	4000	66	08	35° x 135°	70	-30...50	> 0.9	7.7 kg

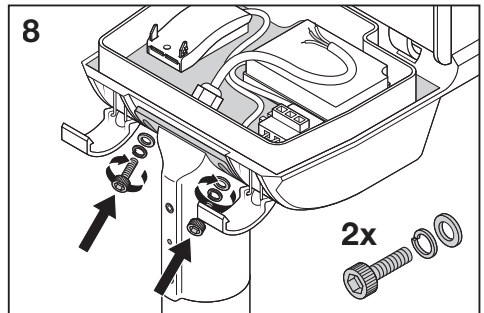
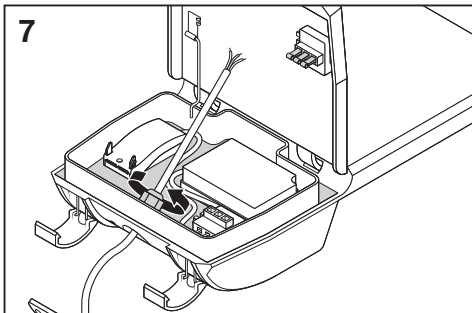
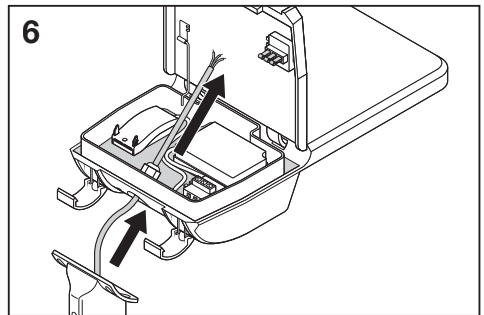
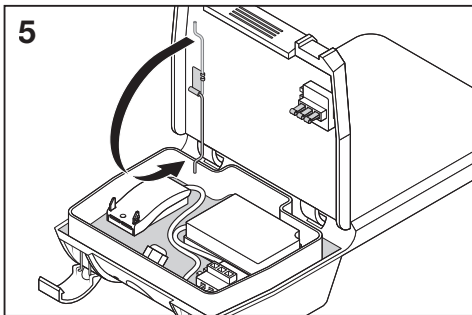
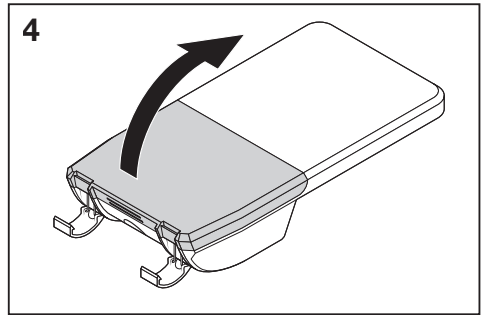
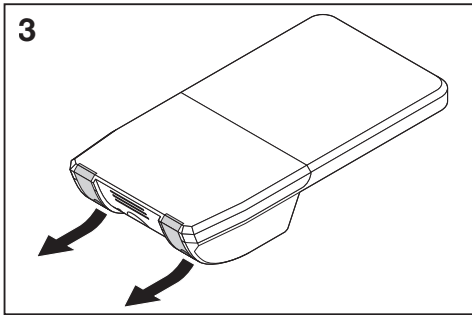
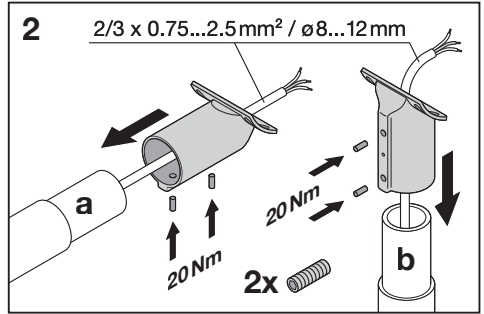
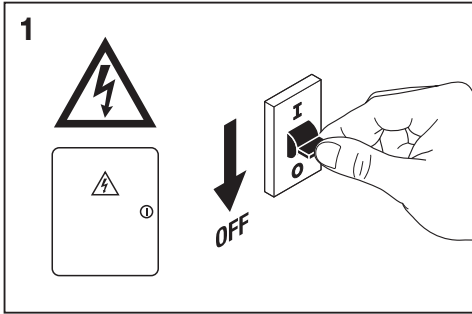


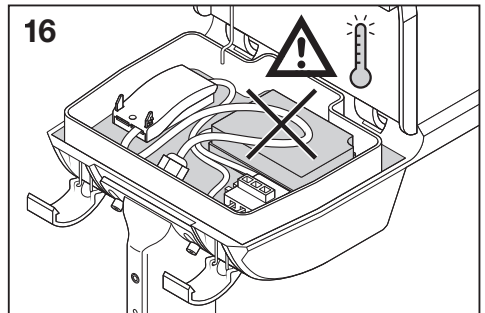
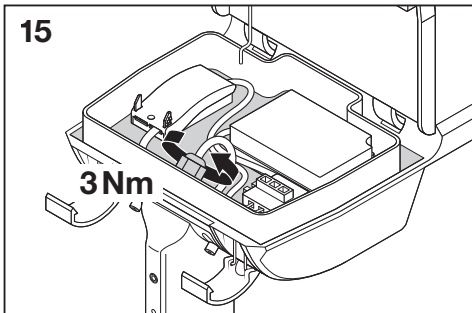
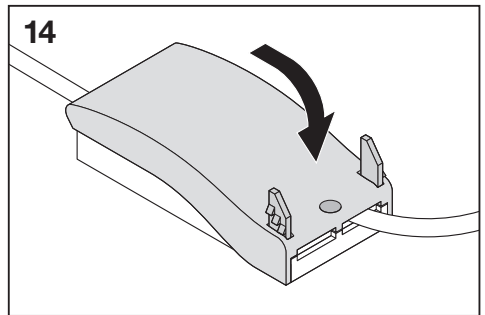
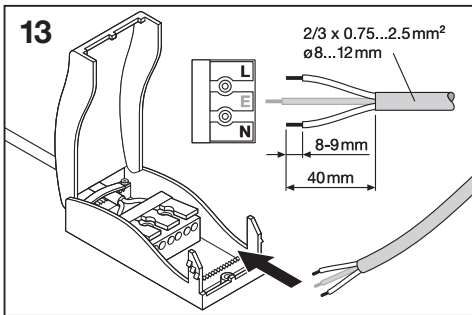
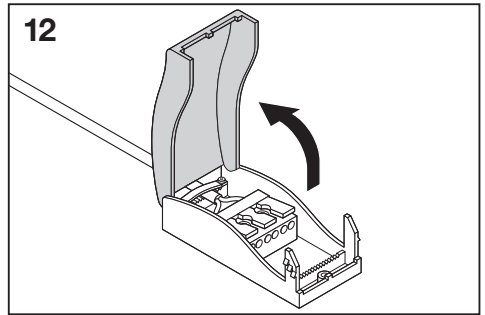
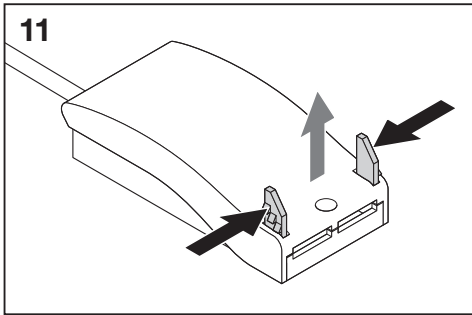
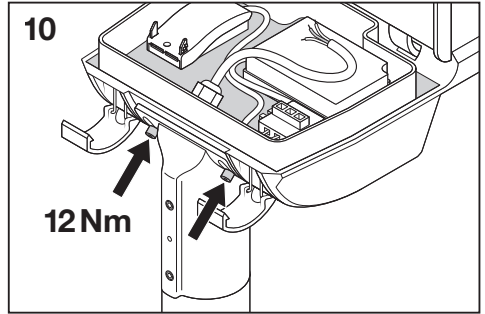
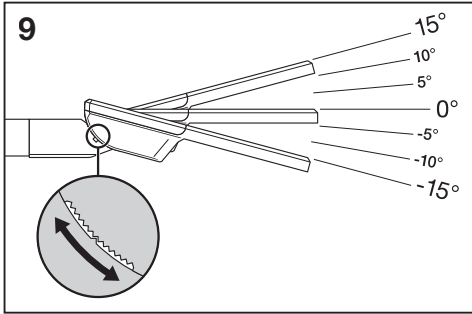


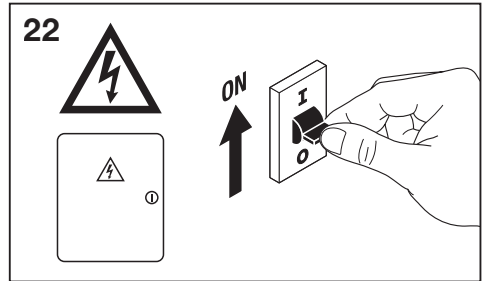
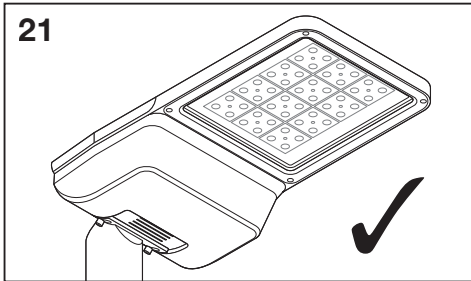
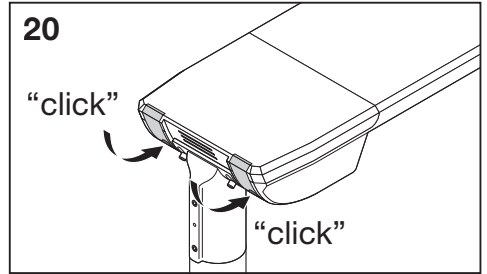
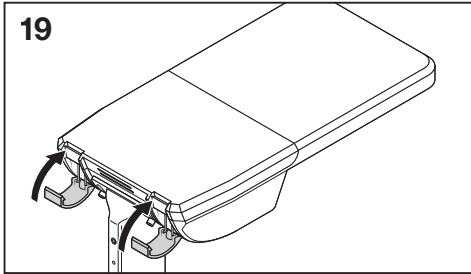
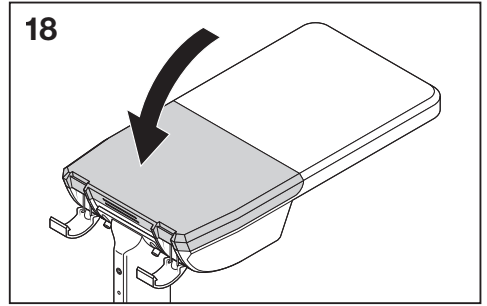
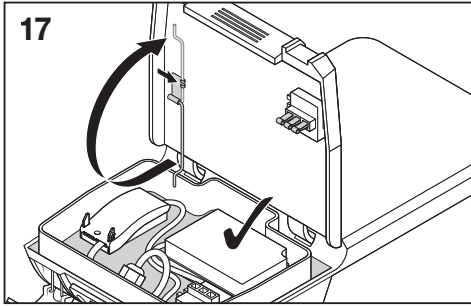
EAN 4058075552531



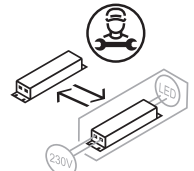
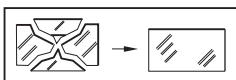
EAN 4058075552579







	Inrush Current [A]	Th50 [µs]	B10	B16	B32	C10	C16	C32
SL FLEX SM P 13W	25	150	23	36	68	40	70	124
SL FLEX SM P 25W	26	180	15	18	35	28	36	58
SL FLEX SM P 36W	26	180	11	16	32	25	32	53
SL FLEX MD P 58W	54	200	7	10	21	13	21	41
SL FLEX MD P 80W	65	220	5	9	20	10	19	40
SL FLEX LA P 110W	65	220	5	8	19	9	17	38
SL FLEX LA P 158W	80	150	4	7	17	8	14	33



C10449058
G11126158
28.07.21



LEDVANCE GmbH
Steinerne Furt 62
86167 Augsburg, Germany
www.ledvance.com