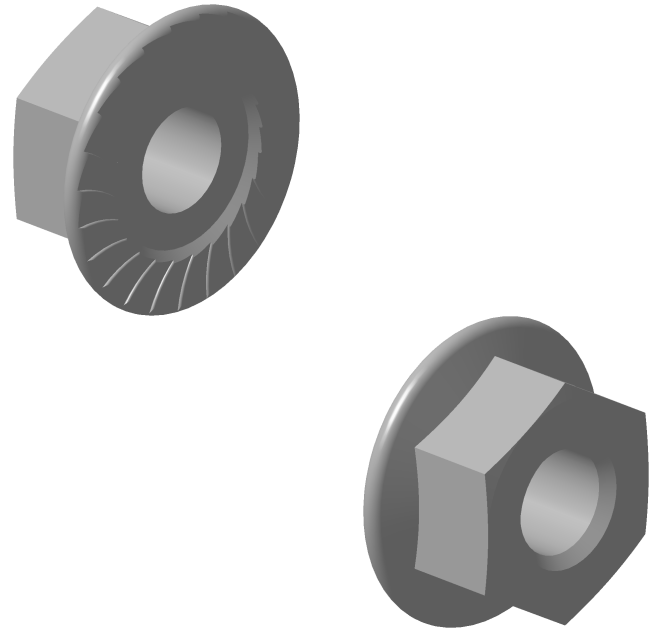
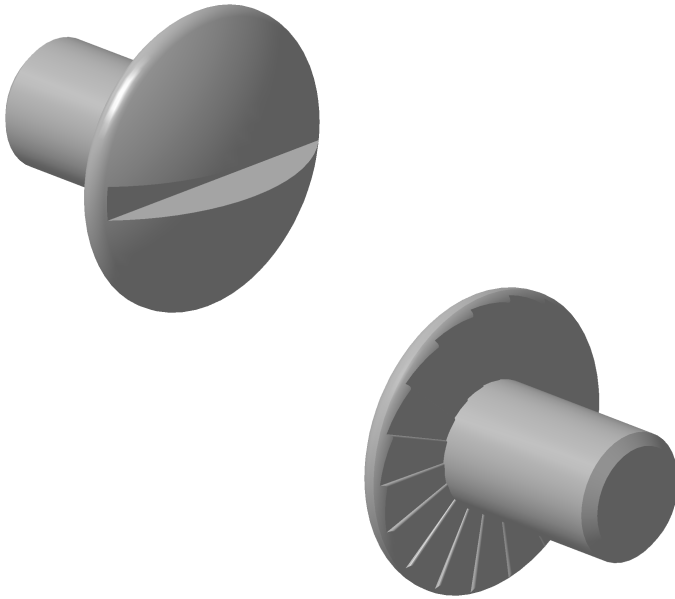


**VIS / ECROU BOURRELET GLO4 M6
SCREW / NUT GLO4 M6**

Reference(s) : 8 200 100 - 8 200 200


1. GAMME / RANGE

Designation	Code	Poids / Weight (Kg) (lb)		Classe / Class	Norme / Standard	Finition / Coating	Classe de résistance contre la corrosion/ Resistance class against corrosion
VIS GLO4 M6 EZ	8 200 100	0.0038	0.008	8.8	ISO 898-1	EZ	Class 1 / IEC 61537
ECROU BOURRELET GLO4 M6 EZ	8 200 200	0.0040	0.009	8	ISO 898-2		

2. DIMENSIONS (mm/inch)
