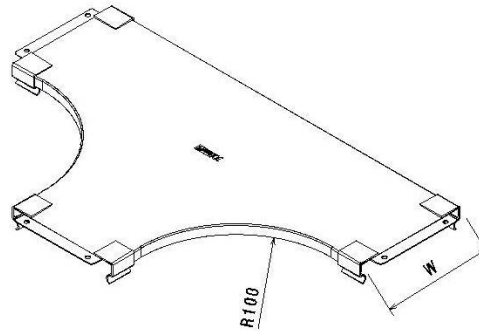
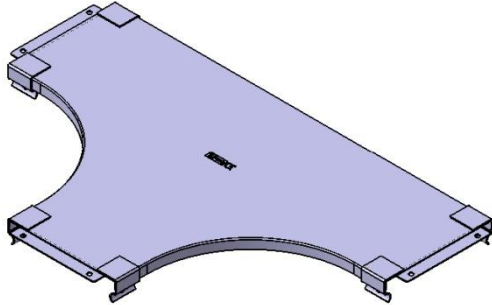


**P31 Cover Flat T W75→300 mm R100
mm HDG**

Reference(s) : 345 780 to 784



Ref.	Description	Raw Material (R.M.)	R.M. Standard	Coating Standard	W (mm)	Thickness (mm)	Weight (kg)
345 780	Cover Flat T HDG W75	DX51D Z275 (RE MIN 220 MPA)	EN10346	ISO1461	77	1	0.4
345 781	Cover Flat T HDG W100	DX51D Z275 (RE MIN 220 MPA)	EN10346	ISO1461	100	1	0.5
345 782	Cover Flat T HDG W150	DX51D Z275 (RE MIN 220 MPA)	EN10346	ISO1461	150	1	0.7
345 783	Cover Flat T HDG W200	DX51D Z275 (RE MIN 220 MPA)	EN10346	ISO1461	200	1	1
345 784	Cover Flat T HDG W300	DX51D Z275 (RE MIN 220 MPA)	EN10346	ISO1461	300	1	1.4