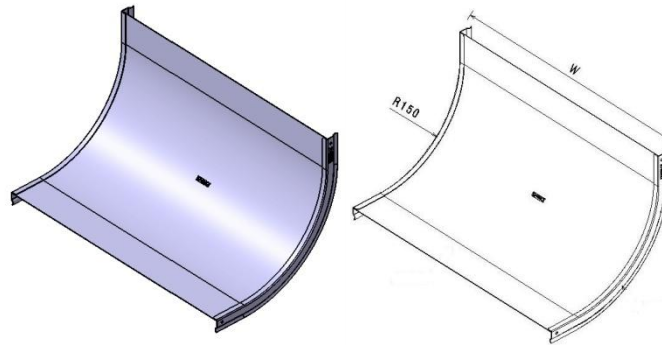


P31 Cover Inside Riser 90° R150 mm PG

Reference(s) : 347 602 to 608



Ref.	Description	Raw Material (R.M.)	R.M. Standard	Coating Standard	W (mm)	Thickness (mm)	Weight (kg)
347 605	Cover Inside Riser 90° W100 R150	DX51D Z275 (RE MIN 220 MPA)	EN10346	//	100	1	0.35
347 606	Cover Inside Riser 90° W150 R150	DX51D Z275 (RE MIN 220 MPA)	EN10346	//	150	1	0.4
347 607	Cover Inside Riser 90° W200 R150	DX51D Z275 (RE MIN 220 MPA)	EN10346	//	200	1	0.55
347 608	Cover Inside Riser 90° W300 R150	DX51D Z275 (RE MIN 220 MPA)	EN10346	//	300	1	0.75
347 602	Cover Inside Riser 90° W400 R150	DX51D Z275 (RE MIN 220 MPA)	EN10346	//	400	1	1
347 603	Cover Inside Riser 90° W500 R150	DX51D Z275 (RE MIN 220 MPA)	EN10346	//	500	1	1.2
347 604	Cover Inside Riser 90° W600 R150	DX51D Z275 (RE MIN 220 MPA)	EN10346	//	600	1	1.4