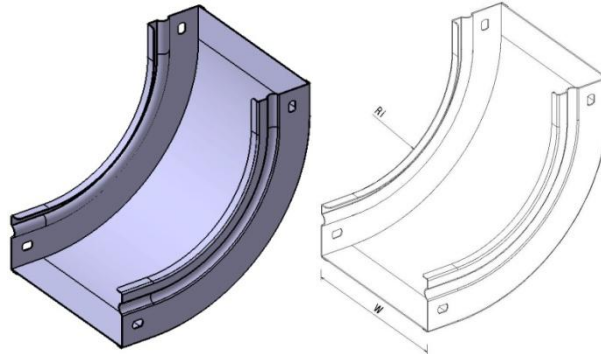


P31 Inside Riser 90° H50 PG

Reference(s) : 347 484 to 492



Ref.	Description	Raw Material (R.M.)	R.M. Standard	W (mm)	Ri (mm)	Thickness (mm)	Weight (kg)
347 484	Inside riser 90° P31 H50 W50	DX51D Z275 (RE MIN 220 MPA)	EN10346	50	20	1	0.2
347 485	Inside riser 90° P31 H50 W75	DX51D Z275 (RE MIN 220 MPA)	EN10346	75	100	1	0.4
347 486	Inside riser 90° P31 H50 W100	DX51D Z275 (RE MIN 220 MPA)	EN10346	100	100	1	0.5
347 487	Inside riser 90° P31 H50 W150	DX51D Z275 (RE MIN 220 MPA)	EN10346	150	100	1	0.6
347 488	Inside riser 90° P31 H50 W200	DX51D Z275 (RE MIN 220 MPA)	EN10346	200	100	1	0.7
347 489	Inside riser 90° P31 H50 W300	DX51D Z275 (RE MIN 220 MPA)	EN10346	300	100	1	0.95
347 490	Inside riser 90° P31 H50 W400	DX51D Z275 (RE MIN 220 MPA)	EN10346	400	150	1	1.7
347 491	Inside riser 90° P31 H50 W500	DX51D Z275 (RE MIN 220 MPA)	EN10346	500	150	1	2.0
347 492	Inside riser 90° P31 H50 W600	DX51D Z275 (RE MIN 220 MPA)	EN10346	600	150	1	2.3