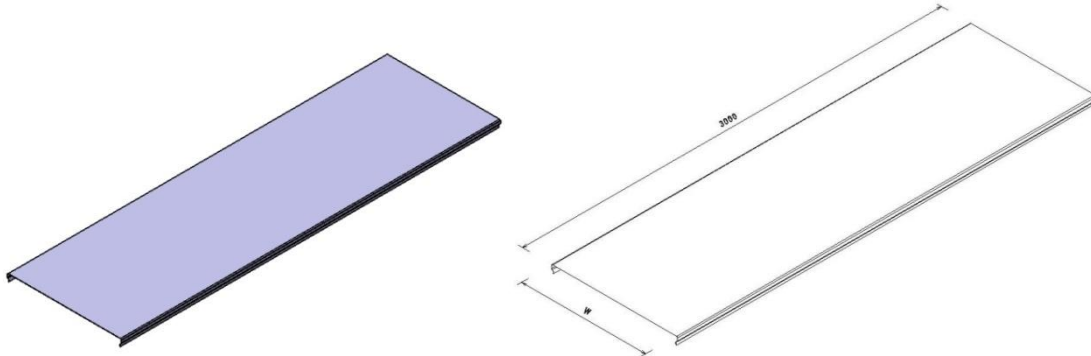


P31HD - Cover HDG

Reference(s) : 344 806 – 344 808 to 809 – 344 816 –
344 818 to 819 – 344 825 to 826 – 344 868



Ref.	Description	Raw Material (R.M.)	R.M. Standard	Coating Standard	W (mm)	Thickness (mm)	Weight (kg/m)
344 868	Cover P31 W50	DC01	EN10139	ISO1461	50	0.8	0.6
344 806	Cover P31 W75	DC01	EN10139	ISO1461	75	0.8	0.7
344 808	Cover P31 W100	DC01	EN10139	ISO1461	100	0.8	0.9
344 809	Cover P31 W150	DC01	EN10139	ISO1461	150	0.8	1.2
344 816	Cover P31 W200	DC01	EN10139	ISO1461	200	0.8	1.5
344 818	Cover P31 W300	DC01	EN10139	ISO1461	300	0.8	2.1
344 819	Cover P31 W400	DC01	EN10139	ISO1461	400	0.8	2.8
344 825	Cover P31 W500	DC01	EN10139	ISO1461	500	0.8	3.4
344 826	Cover P31 W600	DC01	EN10139	ISO1461	600	0.8	4.1