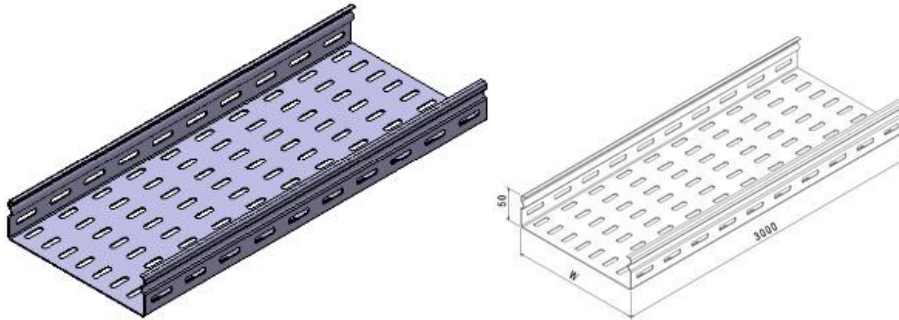


**P31HD - Tray H 50mm HDG**

Reference(s) : 347 416 to 424 – 347 451 to 457



Ref.	Description	Raw Material (R.M.)	R.M. Standard	Coating Standard	W (mm)	Thickness (mm)	Weight (kg/m)
347 416	Tray 50x50 HDG	DC01	EN10139	ISO1461	50	1,2	1.7
347 417	Tray 50x75 HDG	DC01	EN10139	ISO1461	75	1,2	1.9
347 418	Tray 50x100 HDG	S235JR	EN10025	ISO1461	100	1,5	2.5
347 419	Tray 50x150 HDG	S235JR	EN10025	ISO1461	150	1.5	3
347 420	Tray 50x200 HDG	S235JR	EN10025	ISO1461	200	1,5	3.6
347 421	Tray 50x300 HDG	S235JR	EN10025	ISO1461	300	1,5	4.7
347 422	Tray 50x400 HDG	S235JR	EN10025	ISO1461	400	1,5	5.9
347 423	Tray 50x500 HDG	S235JR	EN10025	ISO1461	500	1,5	7
347 424	Tray 50x600 HDG	S235JR	EN10025	ISO1461	600	1,5	8.1
347 451	Tray 50x100 HDG	S235JR	EN10025	ISO1461	100	2	3.3
347 452	Tray 50x150 HDG	S235JR	EN10025	ISO1461	150	2	3.9
347 453	Tray 50x200 HDG	S235JR	EN10025	ISO1461	200	2	4.8
347 454	Tray 50x300 HDG	S235JR	EN10025	ISO1461	300	2	6.3
347 455	Tray 50x400 HDG	S235JR	EN10025	ISO1461	400	2	7.8
347 456	Tray 50x500 HDG	S235JR	EN10025	ISO1461	500	2	9.3
347 457	Tray 50x600 HDG	S235JR	EN10025	ISO1461	600	2	10.7