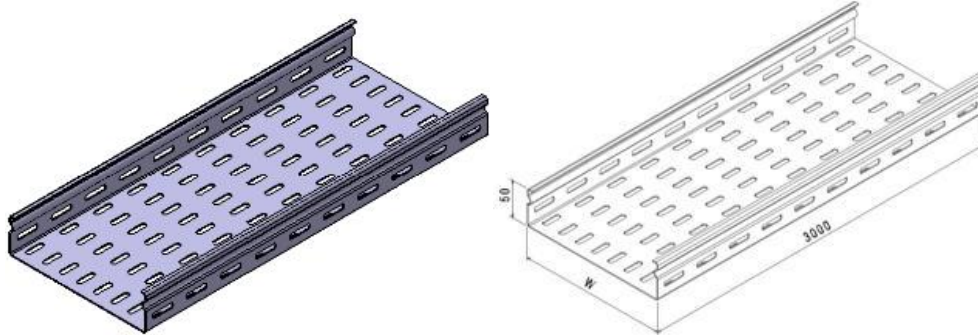


P31HD - Tray H 50mm PG
Reference(s) : 347 401 to 408 – 347 434 to 440 – 347 779


Ref.	Description	Raw Material (R.M.)	R.M. Standard	Coating Standard	W (mm)	Thickness (mm)	Weight (kg/m)
347 779	Tray 50x50 PG	DX51D Z275 (Re Min 220MPa)	EN10346	//	50	1,2	1.5
347 401	Tray 50x75 PG	DX51D Z275 (Re Min 220MPa)	EN10346	//	75	1,2	1.65
347 402	Tray 50x100 PG	DX51D Z275 (Re Min 220MPa)	EN10346	//	100	1,5	2.3
347 403	Tray 50x150 PG	DX51D Z275 (Re Min 220MPa)	EN10346	//	150	1,5	2.8
347 404	Tray 50x200 PG	DX51D Z275 (Re Min 220MPa)	EN10346	//	200	1,5	3.3
347 405	Tray 50x300 PG	DX51D Z275 (Re Min 220MPa)	EN10346	//	300	1,5	4.3
347 406	Tray 50x400 PG	DX51D Z275 (Re Min 220MPa)	EN10346	//	400	1,5	5.4
347 407	Tray 50x500 PG	DX51D Z275 (Re Min 220MPa)	EN10346	//	500	1,5	6.4
347 408	Tray 50x600 PG	DX51D Z275 (Re Min 220MPa)	EN10346	//	600	1,5	7.4
347 434	Tray 50x100 PG	DX51D Z275 (Re Min 220MPa)	EN10346	//	100	2	3
347 435	Tray 50x150 PG	DX51D Z275 (Re Min 220MPa)	EN10346	//	150	2	3.7
347 436	Tray 50x200 PG	DX51D Z275 (Re Min 220MPa)	EN10346	//	200	2	4.4
347 437	Tray 50x300 PG	DX51D Z275 (Re Min 220MPa)	EN10346	//	300	2	5.7
347 438	Tray 50x400 PG	DX51D Z275 (Re Min 220MPa)	EN10346	//	400	2	7.1
347 439	Tray 50x500 PG	DX51D Z275 (Re Min 220MPa)	EN10346	//	500	2	8.5
347 440	Tray 50x600 PG	DX51D Z275 (Re Min 220MPa)	EN10346	//	600	2	9.8