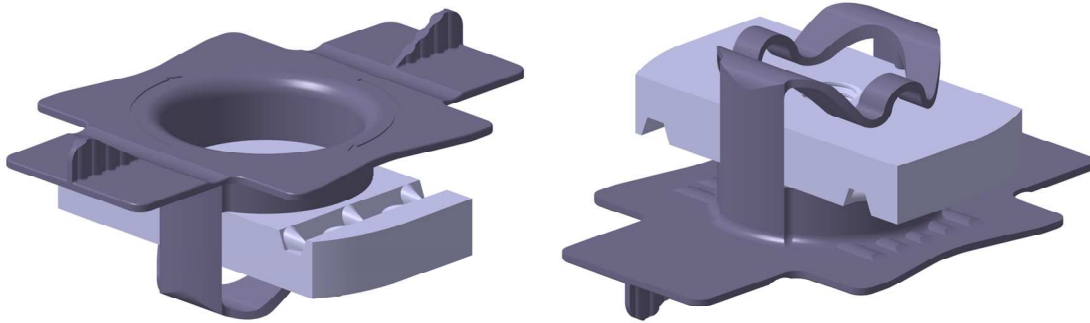


AUTOSTRUT 41 NUT EZ

Reference(s) : 801 941 – 951 – 961 - 971



1 RANGE

	NORMES / STANDARD
MATIERE / MATERIAL S 235 JR	EN 10025-2
PROTECTION / COATING Fe/Zn12/A	NF EN ISO 2081

Colisage Packing	REF	CODE	POIDS (Kg)	WEIGHT (lb)	A (mm)	A (inch)	M
50	E41AAM6EZ	801 941	1.400	3.086	6.0	0.236	M6
	E41AAM8EZ	801 951	1.350	2.976	6.0	0.236	M8
	E41AAM10EZ	801 961	1.950	4.299	8.0	0.315	M10
	E41AAM12EZ	801 971	1.950	4.299	9.5	0.374	M12

Dimensions in (mm/Inch) :

