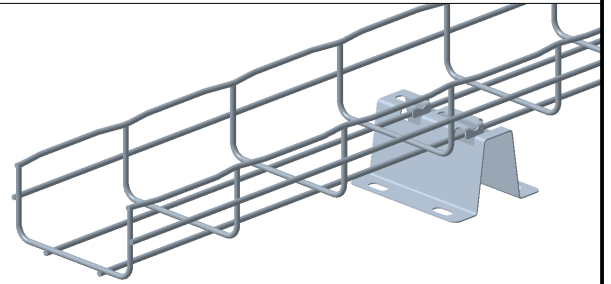
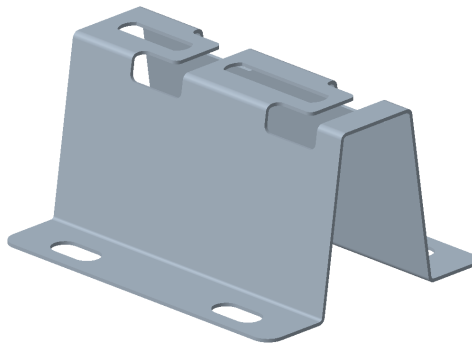


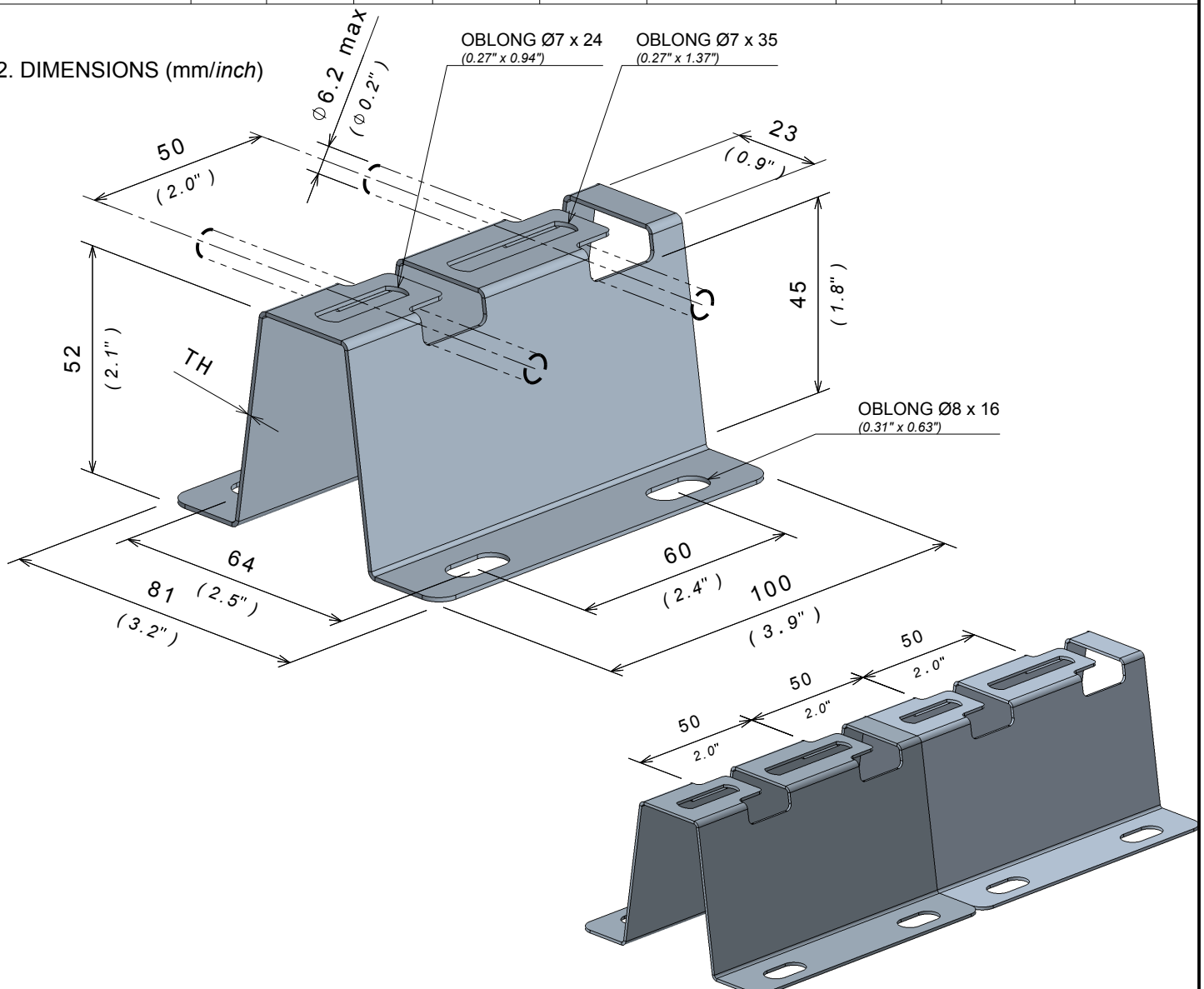
**REHAUSSE R50  
UNDER FLOOR SUPPORT STAND**

Reference(s) : 348 530/31/32

	150 DaN
	43 DaN


**1. RANGE**

Designation	Code	Poids / Weight (Kg) (lb)		Epaisseur / Thickness (mm) (inch)		Matière / Material	Norme / Standard	Finition / Coating	Norme / Standard
R50 GC	348532	0.118	0.260	1	0.04"	DX 51 D Z200 MAC	EN 10 346	GC / HDG	Class 6 according to CEI 61537
R50 SS316L	348531	0.122	0.269	1	0.04"	X2 Cr Ni Mo 17-12-2	EN 10088-2	SS316L	-
R50 GS	348530	0.116	0.256	1	0.04"	DX 51 D Z200 MAC	EN 10 346	GS / PREGALV.	-

**2. DIMENSIONS (mm/inch)**


REHAUSSE R50  
UNDER FLOOR SUPPORT STAND

Reference(s) : 348 530/31/32



BFC MULTICLIP



EEC M6



TRL M6

3. INSTALLATION

.CLE/KEY EDNRN 586260

