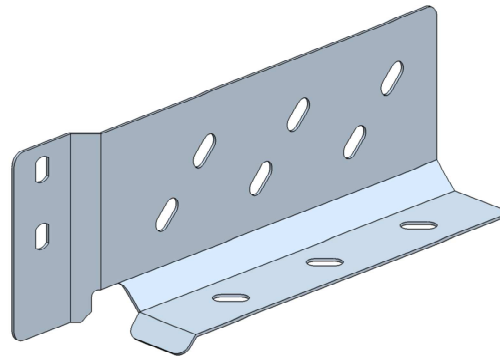


ZF31 KIT JUNCTION H100

Reference(s) : 348 400



1 RANGE

Material	Standard
DX51D Z200 MAC	EN 10 346
Coating	
PREGALV.	

REF	CODE	POIDS / WEIGHT		EPAISSEUR / THICKNESS	
		(Kg)	(lb)	(mm)	(inch)
KIT ZF31/P31 H100	348400	0,191	0,087	1,2	0,047"

Dimensions in (mm/Inch) :

