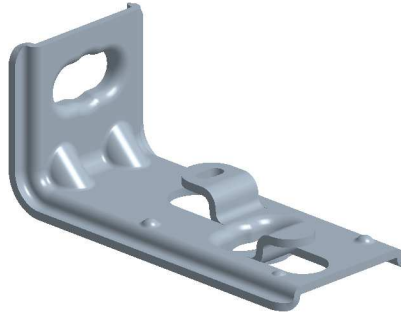


MCO

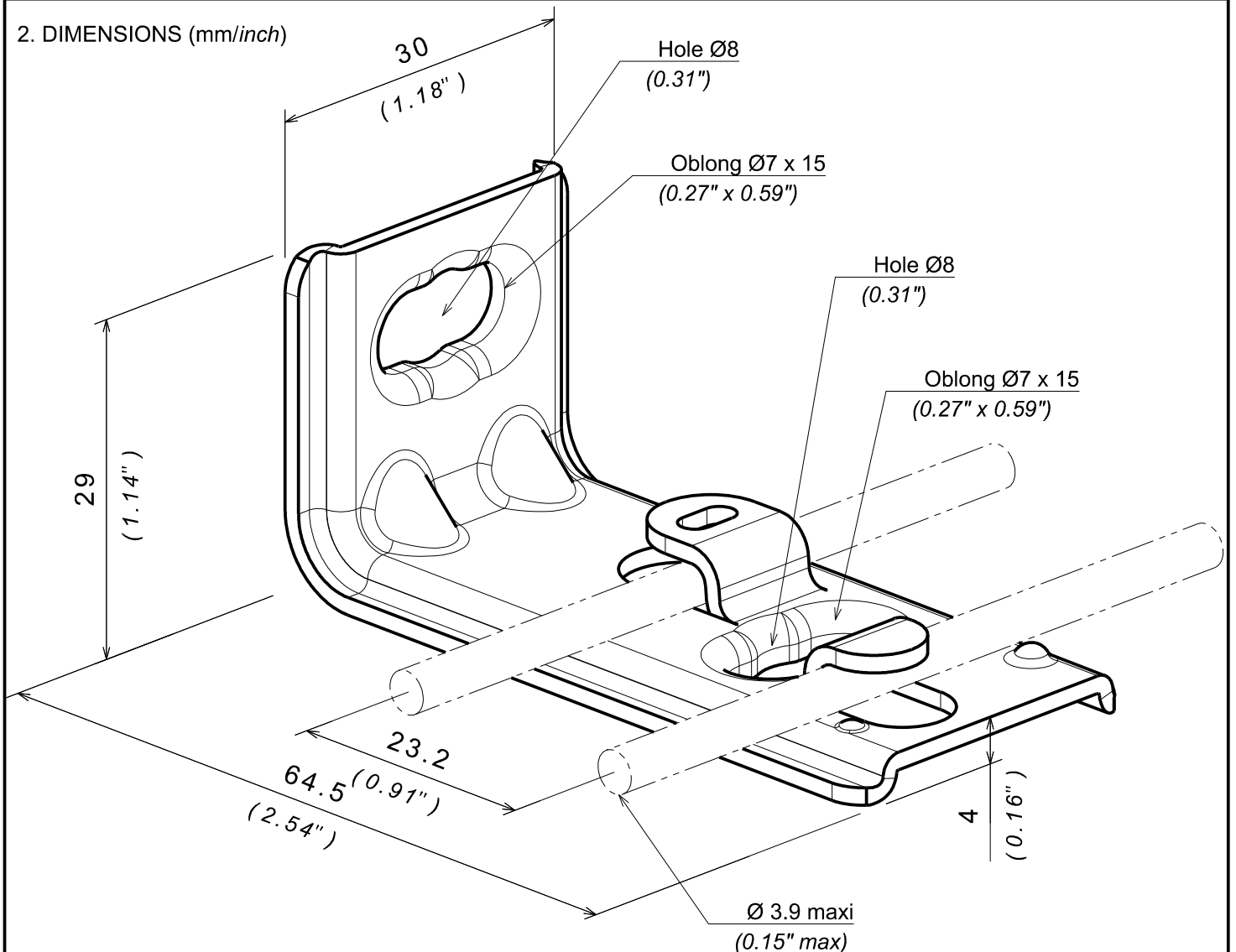
Reference(s) : 348 517/518/533



	20 DaN
	7 DaN.m
	5 DaN.m

1. GAMME / RANGE

Designation	Code	Poids / Weight (Kg) (lb)		Epaisseur / Thickness (mm) (inch)		Matière / Material	Norme / Standard	Finition / Coating	Classe de résistance contre la corrosion / Class for resistance against corrosion
MCO GS	348517	0.0322	0.070	1,5	0.059	S220GD Z275	EN 10 346	GS / PG	-
MCO 304L	348518	0.0328	0.072	1,5	0.059	X2 Cr Ni 18-9	EN 10 088-2	IN304L / SS304L	-
MCO ZM	348533	0.0322	0.070	1,5	0.059	S220GD ZnMg 140-310	EN 10 346	ZM (ZnMg)	Class 6 according to CEI / IEC 61537

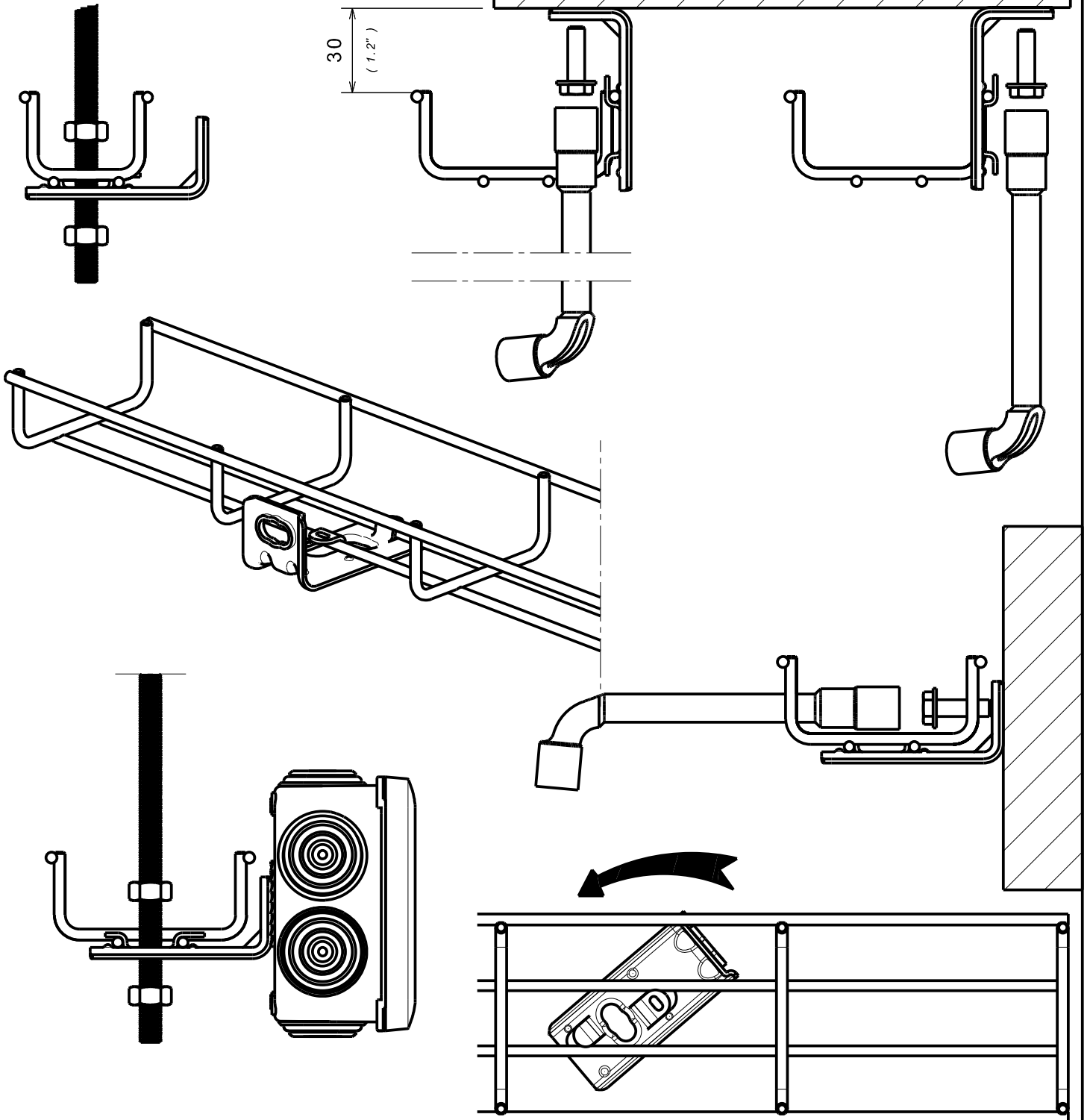
2. DIMENSIONS (mm/inch)


MCO

Reference(s) : 348 517/518/533

	ZF31 H25mm		BP80->105		HM 6->8		VHM 6->8
	3 m		TF 6->8		RM 6->8		TRL M6->8
	50->75mm						

3. INSTALLATION H25.

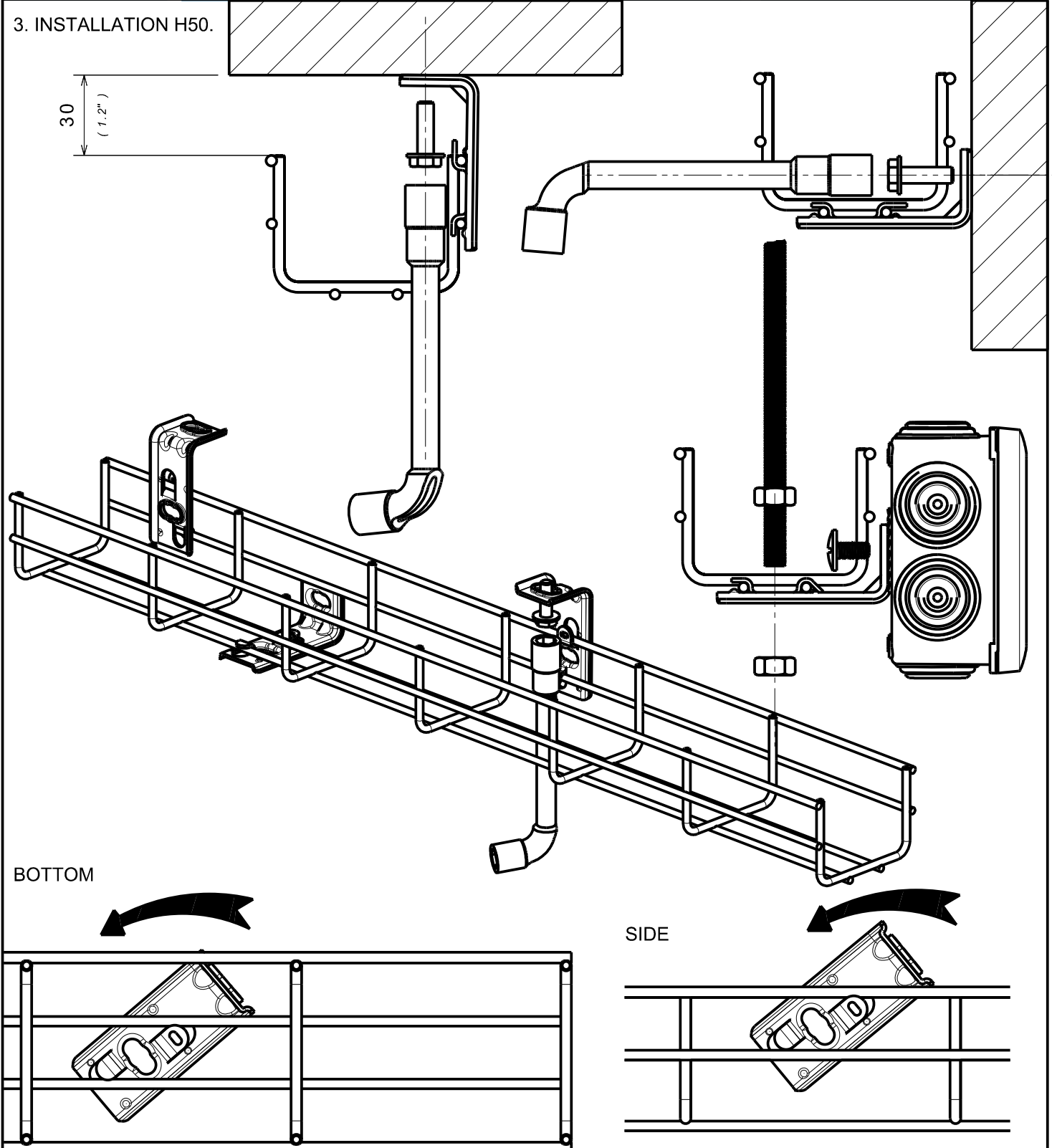


MCO

Reference(s) : 348 517/518/533

	ZF31 H50mm		BP80->105		HM 6->8		VHM 6->8
	3 m		TF 6->8		RM 6->8		TRL M6->8
	50->75mm						

3. INSTALLATION H50.



BOTTOM

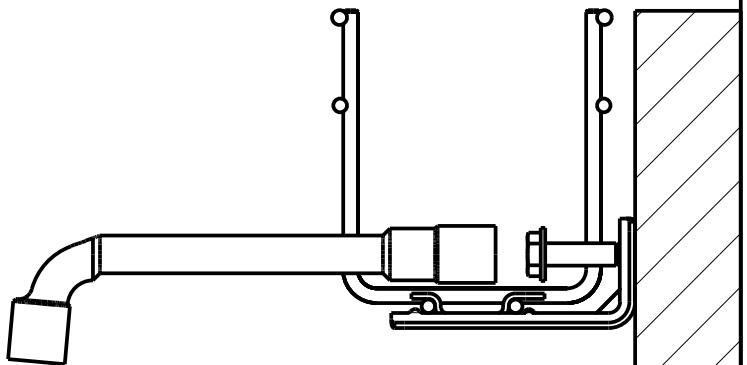
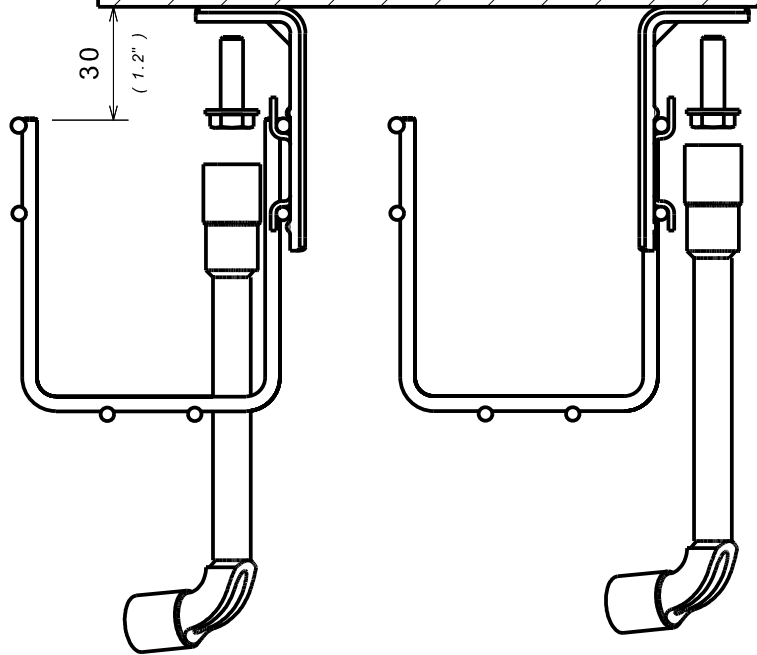
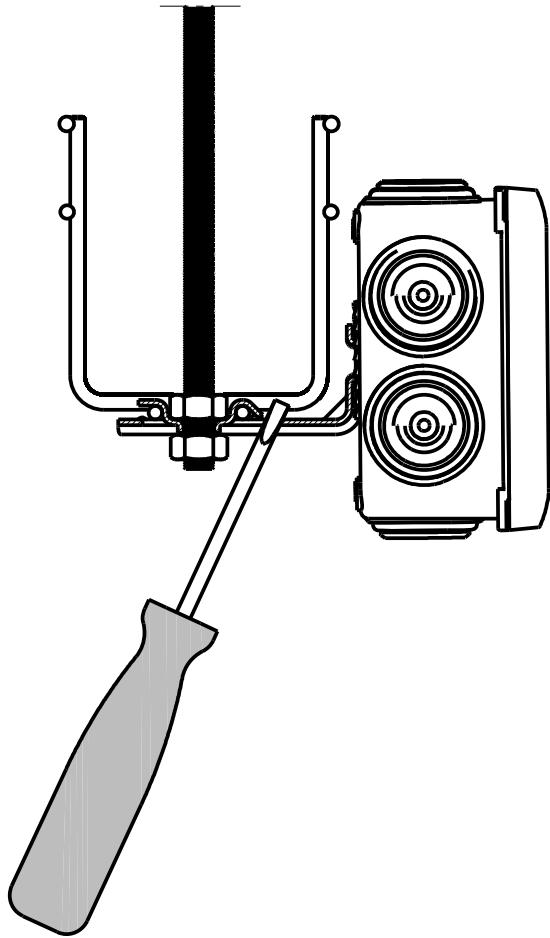
SIDE

MCO

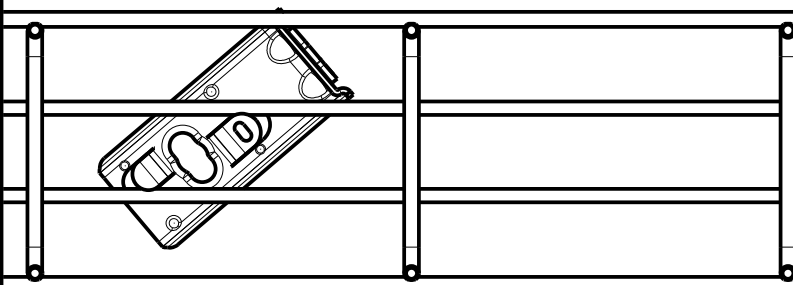
Reference(s) : 348 517/518/533

	ZF31 H75mm		BP80->105		HM 6->8		VHM 6->8
	3 m		TF 6->8		RM 6->8		TRL M6->8
	75mm						

3. INSTALLATION H75.



BOTTOM



SIDE

