

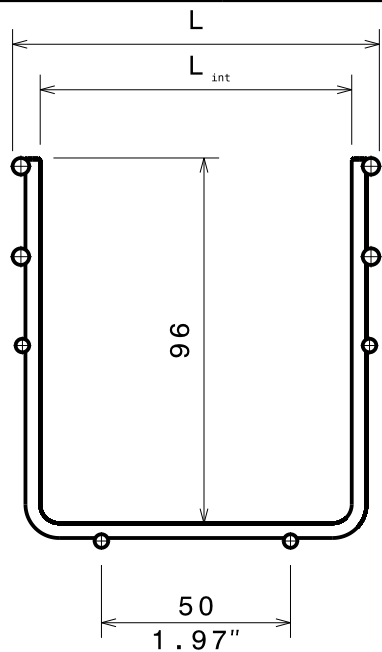
ZF31 H100

EZ

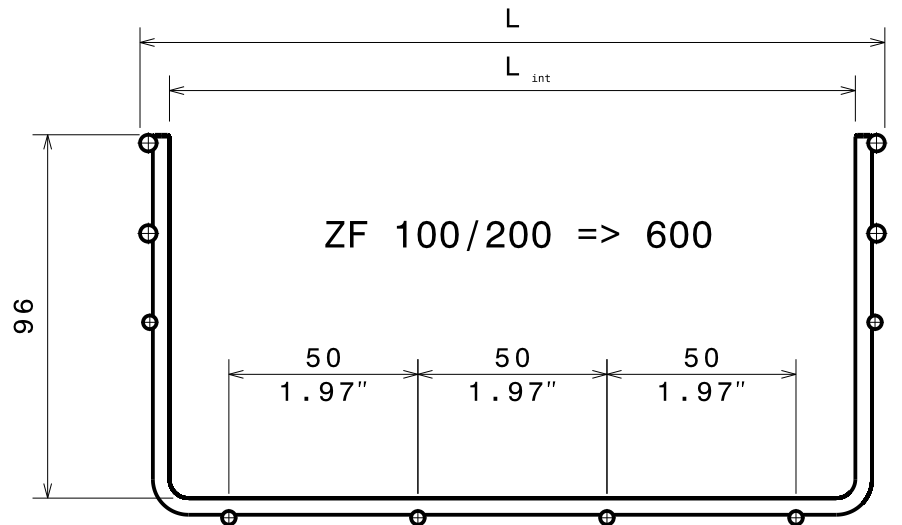


CABLE MANAGEMENT

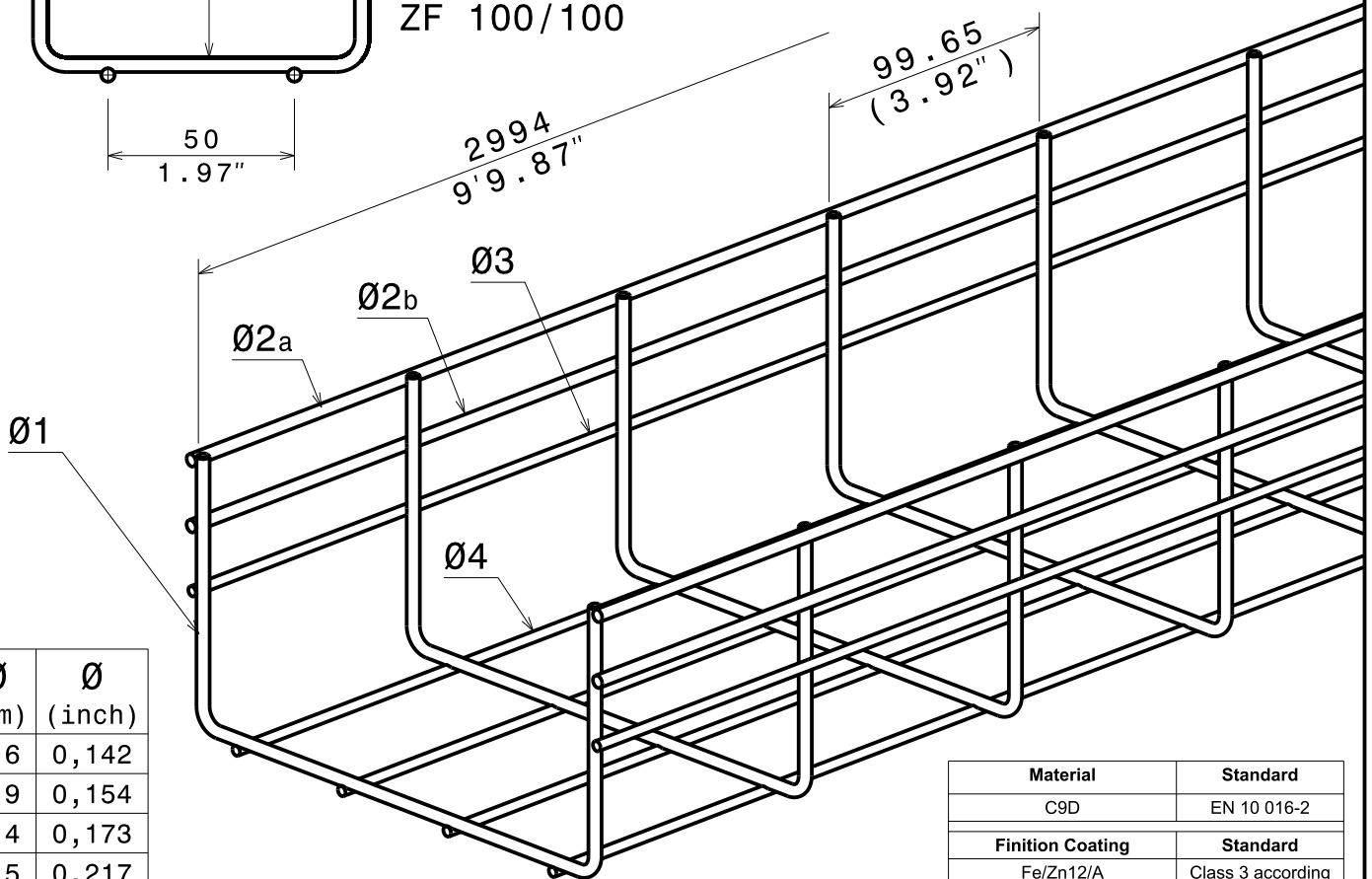
FT0826-1 03/15



ZF 100/100



ZF 100/200 => 600



Ø (mm)	Ø (inch)
3.6	0,142
3.9	0,154
4.4	0,173
5.5	0,217

<b>Material</b>	<b>Standard</b>
C9D	EN 10 016-2
<b>Finition Coating</b>	<b>Standard</b>
Fe/Zn12/A	Class 3 according to CEI 61537

REF	CODE	POIDS/ WEIGHT		Ø1	Ø2a/Ø2b	Ø3	Ø4	L <sub>int</sub>		L	
		(Kg)	(lb)					mm	inch	mm	inch
ZF 100/100	348 033	3.185	1.445	3.9	4.4	3.6	3.6	83,4	3,283	97	3,819
ZF 100/200	348 034	4.247	1.926	4.4	4.4	3.6	3.6	181,4	7,142	197	7,756
ZF 100/300	348 035	5.890	2.672	4.4	5.5	3.6	3.6	279,2	10,929	297	11,693
ZF 100/400	348 036	7.708	3.496	4.4	5.5	5.5	3.9	379,2	14,929	397	15,630
ZF 100/500	348 037	8.637	3.918	4.4	5.5	5.5	3.9	479,2	18,866	497	19,567
ZF 100/600	348 038	9.567	4.340	4.4	5.5	5.5	3.9	579,2	22,803	597	23,504

Propriété exclusive de LEGRAND, ne peut être ni copié, ni transmis à des tiers sans autorisation écrite.

Exclusive property of LEGRAND shouldn't be reproduced or transmitted to any people without written authorization