

ZF31 H50

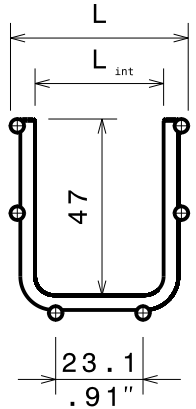
EZ



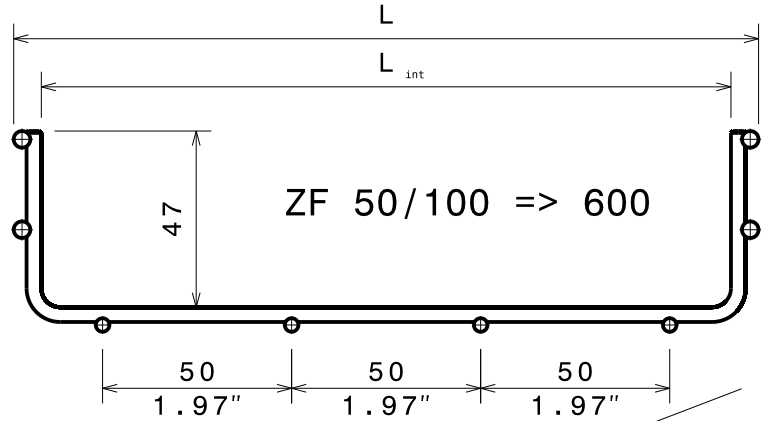
CABLE MANAGEMENT

FT0824-0

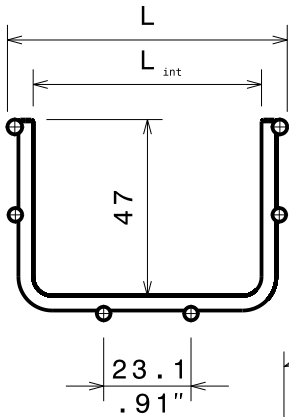
03/15



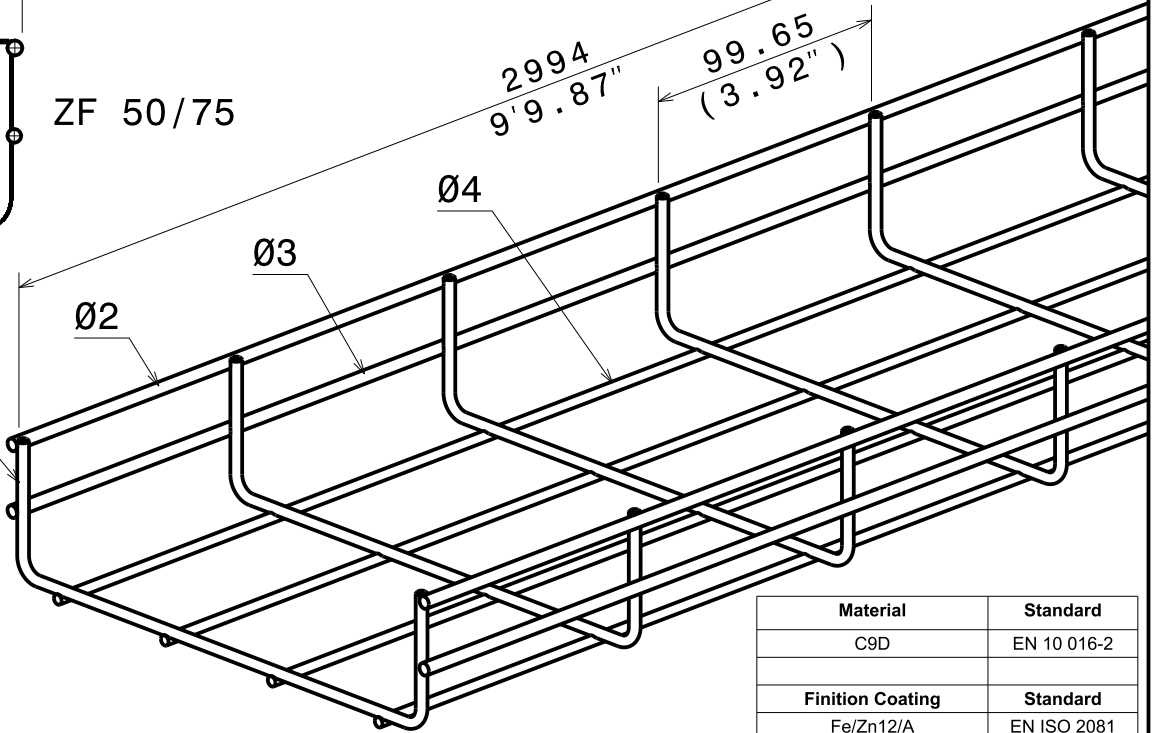
ZF 50/50



ZF 50/100 => 600



ZF 50/75



Ø (mm)	Ø (inch)
3.6	0,142
3.9	0,154
4.4	0,173
5.5	0,217

Material	Standard
C9D	EN 10 016-2
Finition Coating	Standard
Fe/Zn12/A	EN ISO 2081

REF	CODE	POIDS/ WEIGHT		Ø1	Ø2	Ø3	Ø4	L <sub>int</sub>		L	
		(Kg)	(lb)					mm	inch	mm	inch
ZF 50/50	348 010	1.804	0.818	3.9	3.6	3.6	3.6	34,0	1,339	47	1,850
ZF 50/75	348 011	1.964	0.891	3.9	3.9	3.6	3.6	60,4	2,378	74	2,913
ZF 50/100	348 012	2.031	0.921	3.9	3.9	3.6	3.6	83,4	3,283	97	3,819
ZF 50/150	348 013	2.415	1.095	3.9	3.9	3.6	3.6	133,4	5,252	147	5,787
ZF 50/200	348 014	3.185	1.445	3.9	4.4	4.4	3.6	182,4	7,181	197	7,756
ZF 50/300	348 015	4.247	1.926	4.4	4.4	4.4	3.6	281,4	11,079	297	11,693
ZF 50/400	348 016	5.890	2.672	4.4	5.5	5.5	3.6	379,2	14,929	397	15,630
ZF 50/500	348 017	7.708	3.496	4.4	5.5	5.5	3.9	479,2	18,866	497	19,567
ZF 50/600	348 018	8.637	3.918	4.4	5.5	5.5	3.9	579,2	22,803	597	23,504

Propriété exclusive de LEGRAND, ne peut être ni copié, ni transmis à des tiers sans autorisation écrite.

Exclusive property of LEGRAND shouldn't be reproduced or transmitted to any people without written authorization