

ZF31 H25

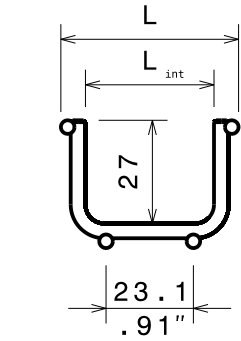
GC


legrand® | CABLE
MANAGEMENT

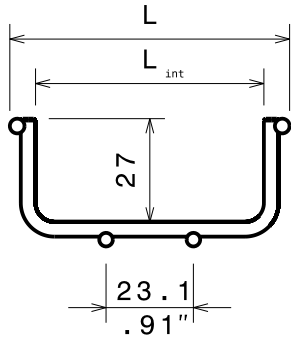
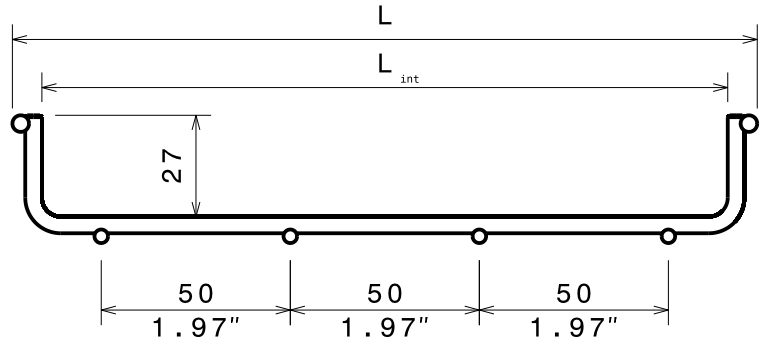
FT0823-3

03/15

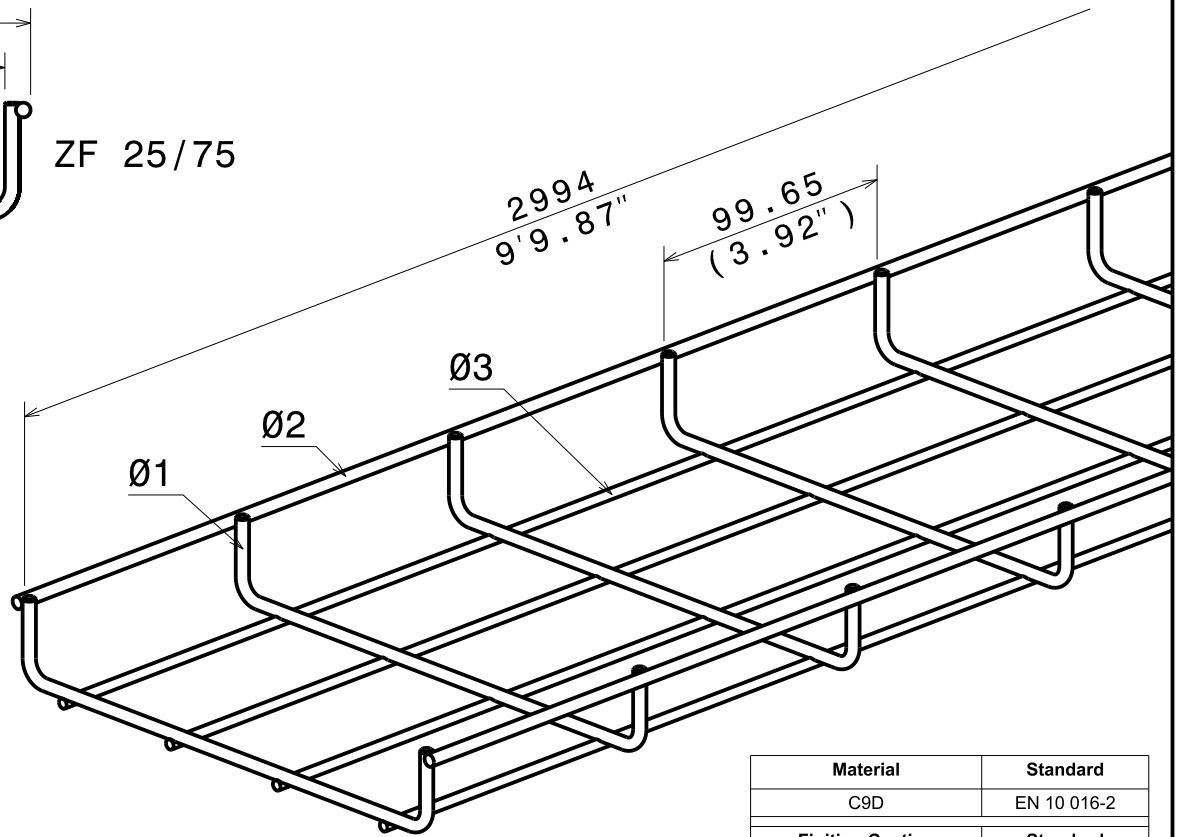
ZF 25/100 => 500



ZF 25/50



ZF 25/75



Ø (mm)	Ø (inch)
3.6	0,142
3.9	0,154
4.4	0,173
5.5	0,217

Material	Standard
C9D	EN 10 016-2
Finition Coating	Standard
GC / HDG	Class 6 according to CEI 61537

REF	CODE	POIDS/ WEIGHT		Ø1	Ø2	Ø3	L _{int}		L	
		(Kg)	(lb)				mm	inch	mm	inch
ZF 25/50	348 150	1.215	0.551	3.9	3.6	3.6	34,0	1,339	47	1,850
ZF 25/75	348 151	1.375	0.624	3.9	3.9	3.6	60,4	2,378	74	2,913
ZF 25/100	348 152	1.442	0.654	3.9	3.9	3.6	83,4	3,283	97	3,819
ZF 25/150	348 153	1.826	0.828	3.9	3.9	3.6	133,4	5,252	147	5,787
ZF 25/200	348 154	2.545	1.154	4.4	4.4	3.6	181,4	7,142	197	7,756
ZF 25/300	348 155	3.786	1.717	4.4	5.5	3.6	279,2	10,992	297	11,693
ZF 25/400	348 156	4.633	2.101	4.4	5.5	3.6	379,2	14,929	397	15,630
ZF 25/500	348 157	5.480	2.486	4.4	5.5	3.6	479,2	18,866	497	19,567

Propriété exclusive de LEGRAND, ne peut être ni copié, ni transmis à des tiers sans autorisation écrite.

Exclusive property of LEGRAND shouldn't be reproduced or transmitted to any people without written authorization