

RUBBER BASE SPV250

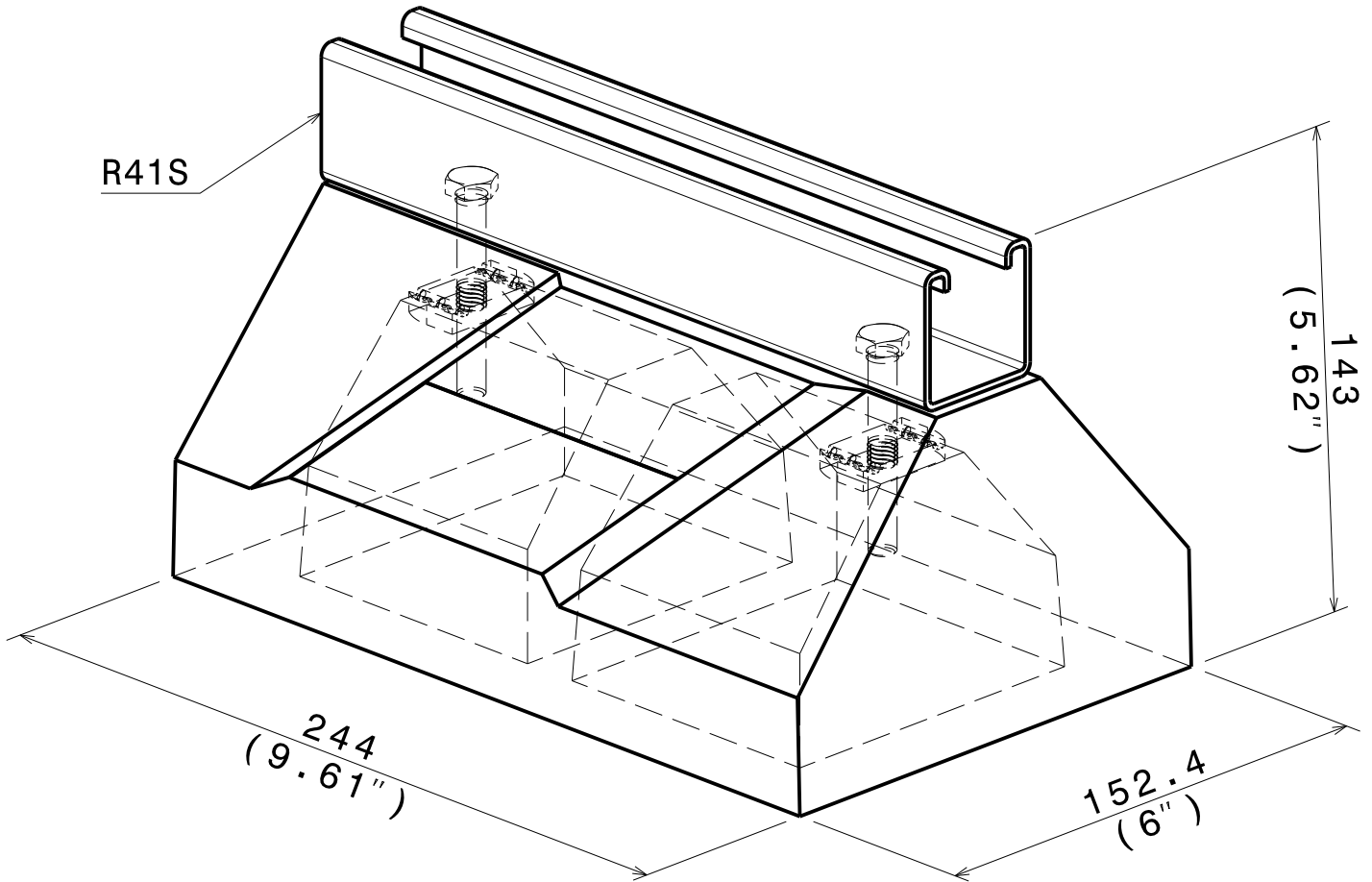
HDG



**CABLE
MANAGEMENT**

FT0815-0

01/15



REF	CODE	POIDS/ WEIGHT	
		(Kg)	(lb)
RUBBER BASE SPV	559 253	2.621	5.78

Material	Standard
RUBBER	
S235JR	EN 10025-2
Finition / Coating	Standard
HDG	Class 6 according to CEI 61537

Propriété exclusive de LEGRAND, ne peut être ni copié, ni transmis à des tiers sans autorisation écrite.

Exclusive property of LEGRAND shouldn't be reproduced or transmitted to any people without written authorization