

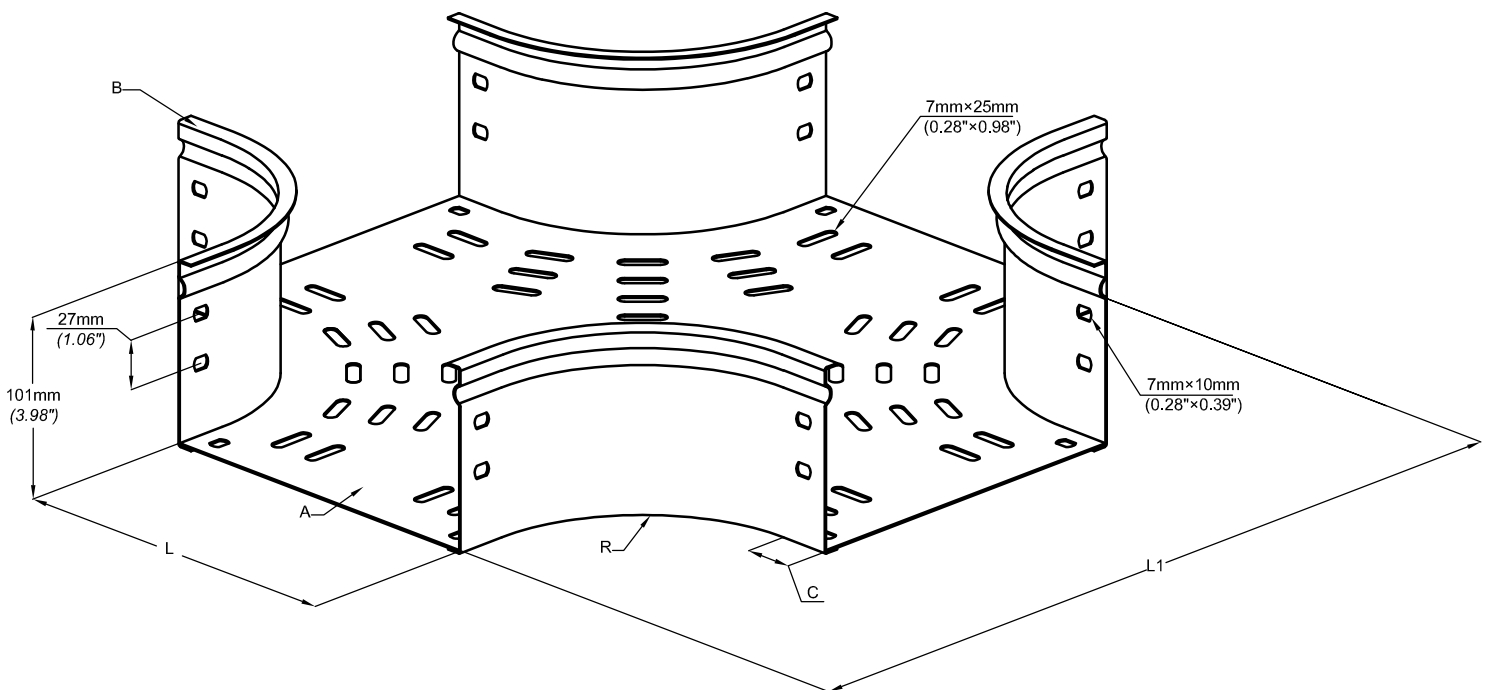
CROIX P31 XP H100 100 à 500
 PERFORATED Cross P31 100x100 to 500

GC
 HDG

CABLOFIL®
 INNOVATORS IN CABLE MANAGEMENT

FT0769-3

10 10



REF	CODE	L (mm) / L (Inch)	A (mm) / A (Inch)	B (mm) / B (Inch)	C (mm) / C (Inch)	R (mm) / R (Inch)	L1 (mm) / L1 (Inch)
P31 XP 100x100	343 492	100 (3.94")	0.8 (0.032")	1 (0.039")	30 (1.18")	100 (3.94")	358 (14.11")
P31 XP 100x150	343 493	150 (5.91")	0.8 (0.032")	1 (0.039")	30 (1.18")	100 (3.94")	408 (16.08")
P31 XP 100x200	343 494	200 (7.87")	0.8 (0.032")	1 (0.039")	30 (1.18")	100 (3.94")	458 (18.05")
P31 XP 100x300	343 495	300 (11.81")	1 (0.039")	1 (0.039")	30 (1.18")	100 (3.94")	558 (21.99")
P31 XP 100x400	343 496	400 (15.75")	1 (0.039")	1 (0.039")	50 (1.97")	150 (5.91")	798 (31.44")
P31 XP 100x500	343 497	500 (19.69")	1 (0.039")	1 (0.039")	50 (1.97")	150 (5.91")	898 (35.38")

NORMES / STANDARD

MATIERE / MATERIAL
 S 235 JR

EN 10 025

PROTECTION / COATING
 Hot Dip Galvanized

NF EN ISO 1461

Propriété exclusive de CABLOFIL, ne peut être ni copié, ni transmis à des tiers sans autorisation écrite.

Exclusive property of CABLOFIL shouldn't be reproduced or transmitted to any people without written authorization