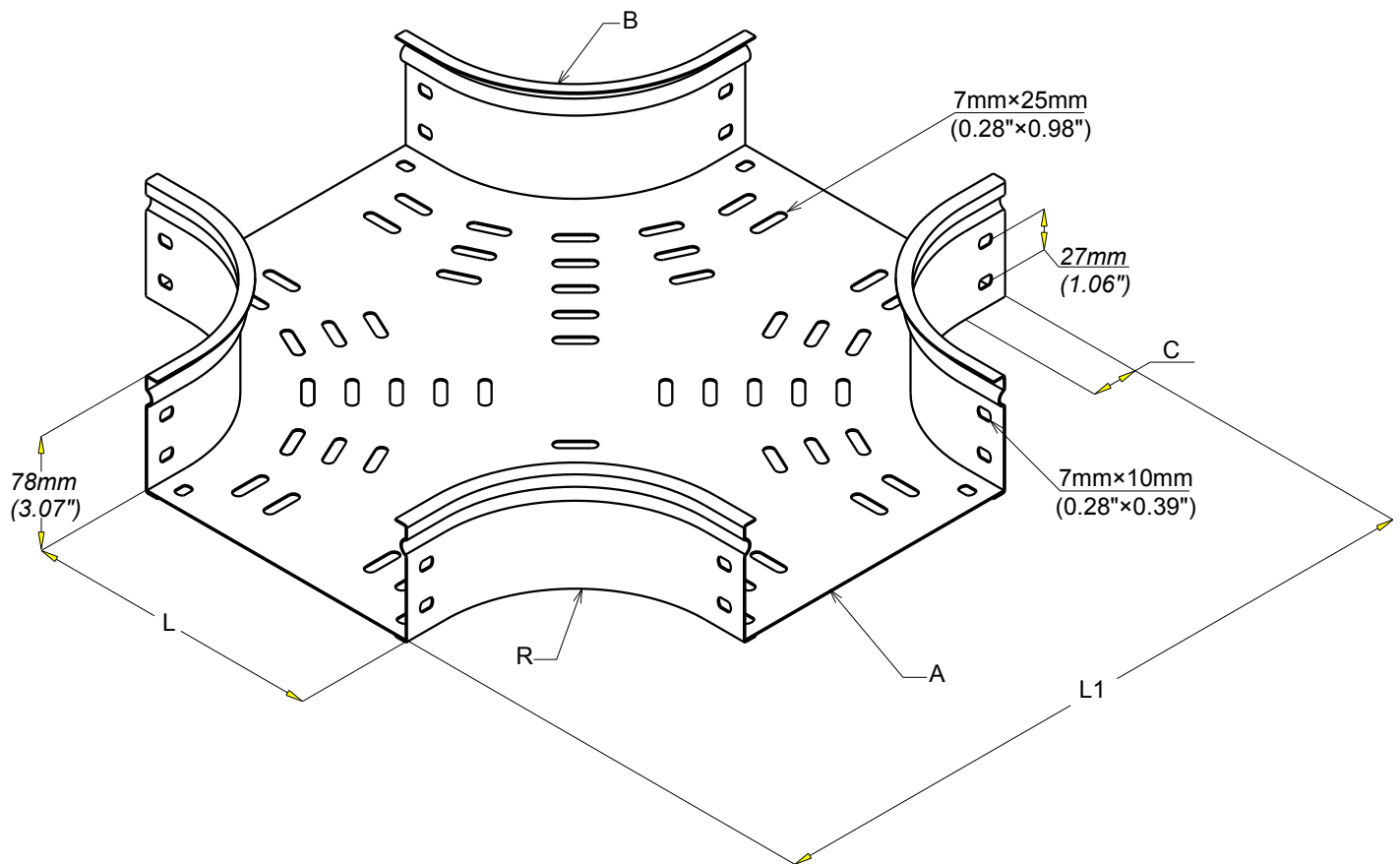


FT0768-0

11 13



REF	CODE	L /L	A /A	B /B	C /C	R /R	L1 /L1
		(mm) (inch)	(mm) (inch)	(mm) (inch)	(mm) (inch)	(mm) (inch)	(mm) (inch)
P31 XP 75x100	341 486	100 (3.94")	0.8 (0.032")	1 (0.039")	30 (1.18")	100 (3.94")	358 (14.11")
P31 XP 75x150	341 487	150 (5.91")	0.8 (0.032")	1 (0.039")	30 (1.18")	100 (3.94")	408 (16.08")
P31 XP 75x200	341 488	200 (5.91")	0.8 (0.032")	1 (0.039")	30 (1.18")	100 (3.94")	458 (18.05")
P31 XP 75x300	341 489	300 (7.87")	1 (0.039")	1 (0.039")	30 (1.18")	100 (3.94")	558 (21.99")
P31 XP 75x400	341 490	400 (11.81")	1 (0.039")	1 (0.039")	50 (1.97")	150 (5.91")	798 (31.44")
P31 XP 75x500	341 491	500 (19.69")	1 (0.039")	1 (0.039")	50 (1.97")	150 (5.91")	898 (35.38")

Material	Standard
DX 51 D Z 275 MAC	EN 10 346